

# 1511S Series

## Single Integrated Delayed Egress Locks



SDC's ExitCheck® delayed egress locks continue to be the premier delayed egress offering on the market. **The patented design revolutionized delayed egress** by incorporating an alternating verbal message, verbal countdown and alarm tone, plus a large digital countdown display and door release indicator to provide a clear warning for the safety of persons without prior knowledge of door operation, including the blind and hearing impaired. Designed to delay egress through perimeter exit doors for 15 or 30 seconds, alert security and personnel to unauthorized egress, and are compatible with access controls and patient wandering systems.

A choice of operation mode allows users to meet their local code compliance while meeting all national and regional building and fire life safety codes, including NFPA 101, Special Locking Arrangements. All SDC delayed egress locks release immediately in an emergency.

A variety of field selectable options allow for field selectable voice message and alarm tone, or alarm tone only; field selectable activation on door movement; exit device with switch kit; or pressure sense bars for non-latching doors; field selectable automatic or manual relock upon power up after emergency release or power loss; and a field selectable door prop alarm sounds when door is left open after the selected bypass time has elapsed.

**The 1511S series incorporates all ExitCheck® features for single door applications** with an integrated three position key switch for reset; manual power-up and bypass settings for convenience.

### MODELS

**1511S** Single Delayed Egress Lock

### STANDARD FEATURES

- Integrated delayed egress magnetic lock
- Interlocking quick mount assembly
- Visual countdown display indicator
- Alternating verbal message
- Verbal countdown and alarm tone
- Built-in activation trigger
- Adjustable door movement sensor
- Integrated three position keyswitch
- Wandering patient, patient and infant tracking system compatible
- Code compliant operation modes
- Auto-sensing dual voltage
- Voltage and current spike protection
- Field selectable security or safety message
- Field selectable activation trigger
- Field selectable automatic or manual reset
- Field selectable sustained or timed bypass
- Single or multi-door zone control and reset
- Remote reset
- Fire/emergency release
- Anti-tailgate

### OPTIONAL FEATURES

- Low power consumption, energy saver
- Door position status (DPS)
- Bond alert status (BAS)
- Anti-tamper status (ATS)
- Alarm reset on REX programming
- Alternative language programming



## APPLICATIONS

Typically used on exit doors, when unauthorized egress is initiated in the locked mode, SDC's ExitCheck® locks delay egress through the door for 15 or 30 seconds. Meanwhile, the person exiting must wait while personnel or security respond. The door unlocks after 15 seconds have elapsed, permitting egress. A signal from the fire life safety system will release the lock for uninhibited egress in an emergency. 30 second delay available where approved.

### BUILT-IN ACTIVATION FOR LATCHING DOORS

The mechanical latch mechanism must be locked on the exterior and unlocked on the interior. From the inside, retracting the door latch and applying pressure causes limited door movement. The built-in activation trigger senses the door movement and initiates delayed egress operation. The adjustable sensor helps prevent false triggering.

### EXTERNAL ACTIVATION FOR LATCHING DOORS\*

Where preferred, activation may be accomplished by a latch monitoring strike or a switch installed in a standard latching exit device or lockset. A power transfer device is required for exit devices equipped with a trigger switch.

### EXTERNAL ACTIVATION FOR NON-LATCHING DOORS\*

The external activation trigger input must be used with doors without latch assemblies, such as latchless glass and herculite doors. Activation may be triggered by SDC's MSB550 or PSB560 series egress bars. A power transfer device is required. Pushing on a request-to-exit egress bar immediately activates the delayed egress operation.

### AUTO POWER-UP

When selected, regardless of the means of deactivation, relocking of the ExitCheck® occurs when power is restored and/or the fire life safety panel is reset.

### MANUAL POWER-UP

UBC, California Building Code (OSHPD) Compliant Reset

When selected, regardless of the means of deactivation, relocking of the ExitCheck® is by manual means only at the door. Only after power restoration and/or fire life safety panel reset, the door may be relocked by actuating the standard built-in key reset or optional wall mounted key switch, push switch or digital keypad located adjacent to the door.

\* Separate door position switch recommended.

### KEYLESS CONTROL

Although equipped with a standard built-in four function key switch for reset, manual power up, momentary bypass and sustained bypass functions, the SDC 920 wall mounted keypad provides the convenience of keyless operation for alarm reset, manual power-up, momentary bypass and sustained bypass functions..

### AIRPORT & PUBLIC FACILITY SECURITY & SAFETY

Control pedestrian traffic in government, public and transportation facilities, including airport jetways and tarmacs.

### LOSS PREVENTION

Provide theft protection of retail merchandise, technology and other valuables, such as art and museum artifacts.

### ACCESS CONTROL

Access controls may be utilized for authorized egress, access and lock reset. Access from the exterior of latching doors requires an additional means of mechanical lock release, such as a mechanical key or electric strike.

### WANDERING PATIENT AND INFANT PROTECTION



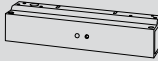
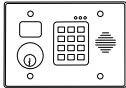
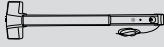
Restrict the egress of psychiatric and drug rehab patients or elderly patients in assisted living facilities, and restrict the movement of nursery infants for their own safety and security.

### PATIENT & INFANT TRACKING SYSTEMS

The SDC ExitCheck® is compatible with patient tracking systems like those used for protection against infant abduction from hospital nurseries and for the protection of patients in long term care facilities who may be endangered if they leave their care facility without supervision.



## CROSS REFERENCE

Series	1511S	1511T	1581S	101-DE	S6000-101
					
<b>Type</b>	EMLock, 1650lbs	EMLock, 1650lbs	EMLock, 650lbs	Controller	Exit Device
<b>DE System</b>	Integrated	Integrated	Integrated	Two-Piece	Integrated
<b>DE Activation</b>	Built-In	Built-In	Built-In	Slave Unit	Built-In

[CLICK TO VIEW](#)

[CLICK TO VIEW](#)

[CLICK TO VIEW](#)

[CLICK TO VIEW](#)



# SPECIFICATIONS

## 1511S

<b>Housing</b>	Aluminum
<b>Door Opening</b>	Single
<b>Holding Force</b>	1,650 lbs 1,200 lbs (E option)
<b>Dimensions</b>	11" x 2¾" x 2½" Housing 7⅝" x 2⅝" x ⅞" Armature
<b>Weight</b>	14 lbs
<b>Audible Instructions</b>	SECURITY MESSAGE (Male Voice) Tone..."Exit in twelve seconds, Security has been alerted" Tone..."Exit in five seconds" Tone..."Exit now", Tone..."Exit now" SAFETY MESSAGE (Female Voice) Tone..."Exit in twelve seconds, Facility Staff has been notified" Tone..."Exit in five seconds" Tone..."Exit now", Tone..."Exit now" TONE ONLY (in lieu of voice instruction) Activation: Short beeps Lock Release: Long beeps
<b>Input</b>	12/24 VDC ± 10% Auto-sensing
<b>Current Draw</b>	820 mA @ 12VDC 400 mA @ 12VDC (E option) 500 mA @ 24VDC 275 mA @ 24VDC (E option)
<b>Door Position Status (DPS)</b>	SPDT
<b>Bond Alert Status (BAS)</b>	250 mA @ 30 VDC Resistive
<b>Alarm &amp; Lock Secure Outputs</b>	SPDT
<b>Anti-Tamper Status (ATS)</b>	1 Amp @ 30 VDC Resistive

OPERATION MODES	NA	ND	NH	NC	BD	BH	BC
<b>NFPA 101 Compliant</b>	Yes	Yes	Yes	Yes	----	----	----
<b>NFPA1-UFC Compliant</b>	Yes	Yes	Yes	Yes	----	----	----
<b>UBC Compliant</b>	Yes	Yes	Yes	Yes	----	----	----
<b>IBC Compliant</b>	Yes	Yes	Yes	Yes	----	----	----
<b>IFC Compliant</b>	Yes	Yes	Yes	Yes	----	----	----
<b>SBC Compliant</b>	Yes	Yes	Yes	Yes	----	----	----
<b>CBC Compliant</b>	----	----	----	Yes	----	----	----
<b>BOCA Compliant</b>	----	----	----	----	Yes	Yes	Yes
<b>Chicago Compliant</b>	----	----	----	----	----	----	Yes
<b>Egress Delay</b>	Selectable 15 or 30 sec	Fixed 15 sec	Fixed 30 sec	Fixed 15 sec	Fixed 15 sec	Fixed 30 sec	Fixed 15 sec
<b>Nuisance Time</b>	Selectable 1 or 2 sec	Selectable 0 or 1 sec	Selectable 0 or 1 sec	Selectable 0 or 1 sec	Selectable 0 or 1 sec	Selectable 0 or 1 sec	Fixed 0 sec
<b>Reset After Alarm</b>	Manual	Manual	Manual	Manual	Auto/Manual	Auto/Manual	Auto/Manual
<b>Lock On Power Up</b>	Selectable Locked or Unlocked	Selectable Locked or Unlocked	Selectable Locked or Unlocked	Fixed Unlocked	Selectable Locked or Unlocked	Selectable Locked or Unlocked	Selectable Locked or Unlocked

## CERTIFICATIONS\*

UL 294 Access Control System Units  
 UL 10B Fire Tests of Door Assemblies  
 UL 10C Positive Pressure Fire Tests of Door Assemblies  
 ULC-S104 Standard Method for Fire Tests of Door Assemblies  
 ULC-S533 Egress Door Securing and Releasing Devices  
 NFPA 101 Life Safety Code Special Locking Arrangements  
 NFPA 1-UFC Uniform Fire Code  
 UBC Uniform Building Code Standard 7-2 Fire Test of Door Assemblies (1997)

IBC International Building Code Delayed Egress Locks  
 IFC International Fire Code Delayed Egress Locks  
 SBC Standard Building Code  
 CBC, California Building Code Special Egress Control Devices  
 BOCA National Building Code Special Locking Arrangements  
 Chicago Building Code Electro-Magnetic Locking Devices  
 CSFM Listed 3774-0324:0103

\* All installations must be approved by the local Authority Having Jurisdiction (AHJ).

## HOW TO ORDER


## FOLLOW STEPS FOR ORDERING

 Designates optional step

### 1| SPECIFY MODEL

**1511S** Single Delayed Egress Lock

### 2| SPECIFY MODE\*

**NA** NFPA 101, Selectable Egress Delay 

**ND** NFPA 101, Fixed 15 Second Egress Delay

**NH** NFPA 101, Fixed 30 Second Egress Delay

**NC** CBC Compliant

**BD** BOCA, Fixed 15 Second Egress Delay

**BH** BOCA Fixed 30 Second Egress Delay

**BC** Chicago Compliant

\* See specifications operation modes chart for complete functionality and compliance details.

### 3| SPECIFY RESET

**K** Built-In Keyswitch Reset 

**P\*** Built-In Push Button Reset

**L** Less Reset (No Built-In Reset)

\* Available with NA, ND, NH and NC operation modes only.

### 4| SPECIFY FINISH

**V** 628 Dull Aluminum 

**Y** 335 Dull Black

**C** 605 Bright Brass

**X** 710 Dark Bronze

**P** 625 Bright Chrome

**Q** 626 Dull Chrome

### 5| SPECIFY OPTIONS

**E** Low Power Consumption, Energy Saver

**D** Door Position Status (DPS)

**B** Bond Alert Status (BAS)

**A** Anti-Tamper Status (ATS)

### 6| SPECIFY PROGRAMMING\*

**RRX** Alarm Reset On REX

**VS** Spanish Verbal Instructions

**VES** Bilingual Verbal Instructions, English and Spanish

**VEF** Bilingual Verbal Instructions, English and French

\* Consult factory for custom verbal instruction programming. Custom programming requires a minimum purchase order of ten units.

STEP NUMBER:	1	2	3	4	5	6
ORDERING EXAMPLE:	<b>1511S</b>	<b>NA</b>	<b>K</b>	<b>V</b>	<b>EDBA</b>	<b>RRX</b>



## RELATED PRODUCTS\*

### FILLER PLATES

For extension of the stop to provide a proper mounting surface on the underside of the header.

**FP11V** 1/8" x 1 1/4" x 11"

**FP12V** 1/4" x 1 1/4" x 11"

**FP13V** 3/8" x 1 1/4" x 11"

**FP14V** 1/2" x 1 1/4" x 11"

**FP15V** 5/8" x 1 1/4" x 11"



### ANGLE BRACKETS

Used as extension on shallow door frames to provide adequate mounting surface.

**AB11V** 1" x 1" x 11"

**AB12V** 1" x 1 1/2" x 11"

**AB13V** 1 1/2" x 1 1/2" x 11"

**AB14V** 2" x 1 1/2" x 11"



### DELAYED EGRESS SPEAKERS

Speakers connect directly to delayed egress locks for enhanced decibels onsite or remote voice instruction duplication. Speaker driver may be provided by others for extreme decibel requirements.

**101-SP** External 15 Watt Speaker



### DELAYED EGRESS KEY SWITCHES

Stainless steel wall mounted key control stations provide for convenient alarm reset or bypass for authorized egress.

**702RU\*** Mortise Key Switch, Reset, MO

**707RU\*** Mortise Key Switch, Reset & REX, MO/MO

**708RU\*** Mortise Key Switch, Reset & Bypass, MO/AA

**728RU** Keylock Switch, Reset & Bypass, MO/AA

**728RUL3** Keylock Switch, Reset & Bypass, MO/AA, LED

\* Key cylinders not included, order separately.



### COMPATIBLE KEY CYLINDERS

**CYL-6KAQ** Mortise Cylinder 6-Pin, 1 1/8" Length, Keyed Alike

**CYL-6KDDQ** Mortise Cylinder, 6-Pin, 1 1/8" Length, Keyed Different

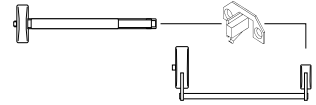


### RETROFIT SWITCH KITS

SDC's 00500 series retrofit switch kits provide electromagnetic lock release, delayed egress activation, request-to-exit (REX), alarm shunt or alarm activation.

Switch kits are field installed in the inactive hinge pad of rim mount exit devices, mortise exit devices, concealed vertical rod exit devices and surface vertical rod exit devices.

[CLICK TO VIEW](#)



### DELAYED EGRESS ANNUNCIATORS

Stainless steel local or remote annunciators provide quick identification of activated openings, enabling security or care personnel to respond rapidly. Annunciators are equipped with an audible alarm and each station is equipped with a tri-color LED that identifies delayed egress status.

**101-1A** Single Door Indicator, Single Gang

**101-4AM** Four Door Indicator, Alarm Shunt, Double Gang

**101-1AK\*** Single Door Indicator, Key Switch Reset & Bypass, Double Gang

**101-PAM** Single Door Indicator, Alarm Shunt, Push Button Reset & Bypass, Double Gang

\* Key cylinders not included, order separately.



**101-1A**



**101-4AM**



**101-1AK**



**101-PAM**

\* Consult factory for special finishes.

## COMPONENT CONSIDERATIONS

### EGRESS DEVICES

[CLICK TO VIEW](#)

SDC egress devices are designed for the release of magnetic locks and the activation of delayed egress locks installed on non-latching doors. Request-to-exit push bars provide uninhibited egress through access-controlled openings equipped with magnetic locks, while eliminating the need for prior knowledge of egress operation and enabling egress with a single natural motion. Request-to-exit push bars also eliminate the need for wall mounted exit switches requiring prior knowledge to unlock the door.



### EMERGENCY DOOR RELEASES

[CLICK TO VIEW](#)

SDC's line of emergency door releases (EDR's) are designed to provide a physical method of unlocking an electronic lock in the event of an emergency and may influence the approval of an electric locking system. EDR's are usually fitted to emergency exit doorways in higher security areas. Our EDR's can initiate the release of an individual door or all doors on the same circuit and provide an auxiliary contact remote monitoring, CCTV activation or alarm activation.



### REMOTE CONTROL CONSOLES

[CLICK TO VIEW](#)

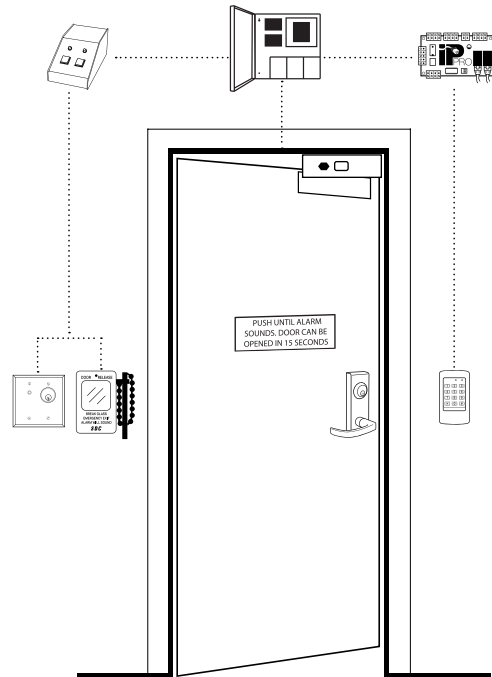
Recommended for access systems without computer management capability, SDC's remote control consoles provide a means of central supervision and control of single and multiple openings within a facility. Available in several configurations, the TCC and RCC consoles provide remote lock control, door status and lock status. The modular design permits configuration flexibility to meet the demands of different control and monitoring requirements.



### KEYPADS & READERS

[CLICK TO VIEW](#)

SDC has a variety of digital keypad and proximity card access control system equipment to meet any need. SDC's keypads and readers are engineered to provide real-world door control of a single opening up to 100 doors, such as indoor, outdoor and PC-based systems, while ensuring fire and life safety code compliance along with superior expandability and flexibility in authorization identification, authentication, access approval and accountability of entities through login credentials.



### POWER CONTROLLERS

[CLICK TO VIEW](#)

SDC access control power supplies have been developed specifically to support access controls and electric locking hardware. They are UL listed and provide filtered and regulated linear DC power, with optional control logic, component interface, alarm interface and battery back-up to meet the requirements of single and multiple access-controlled openings. The circuitry design is ideal for the inductive loads generated by access control hardware for high performance and longevity.



### IP-BASED CONTROLLERS

[CLICK TO VIEW](#)

SDC's low power line of IP-based access control solutions eliminate long cable runs and multiple power supplies by allowing easy integration and connection to an access control system using ordinary ethernet cable in a PoE enabled network. We've ensured they work in low power PoE environments where energy efficiency, flexibility and green and sustainable requirements reach all the way to electronic hardware and locks for controlling door openings.

