

# S5000 Series

Electrified Storefront  
Rim & Vertical Rod Exit Devices



SDC's S5000 series electrified storefront devices are **heavy duty**, code compliant alternatives to magnetic locks for storefront applications that meet the market need for **storefront exit devices** with **electric latch retraction** standard for access control compatibility.

These UL305 panic-rated exit devices are American made, featuring all metal construction that is particularly suited to **aluminum glass entrances** for both manual and automated door openings and new or retrofit applications.

**Nightlatch functionality** is available through the use of a rim key cylinder for **medium and wide stile doors** making these exit devices perfect for **industrial, healthcare, education** and **retail** aluminum glass applications.

For applications that do not require nightlatch function for key override in the event of power loss, then exit only S5000 devices can be utilized on narrow stile doors.

S5000 devices can be powered by SDC's AUTO series low energy door operator with built-in 1 Amp+ power supply. With factory installed motorized electric latch retraction, the S5000 makes application as easy as **install – power – done**.



Motorized Electric  
Latch Retraction

Superior Aesthetics  
& Smooth Operation

## MODELS

**S51** Rim

**S52** Surface Vertical Rod (SVR)

**S58** Concealed Vertical Rod (CVR)

## STANDARD FEATURES

- Electrified storefront design
- Motorized electric latch retraction and dogging
- High traffic use
- Low-energy automatic door operator compatible

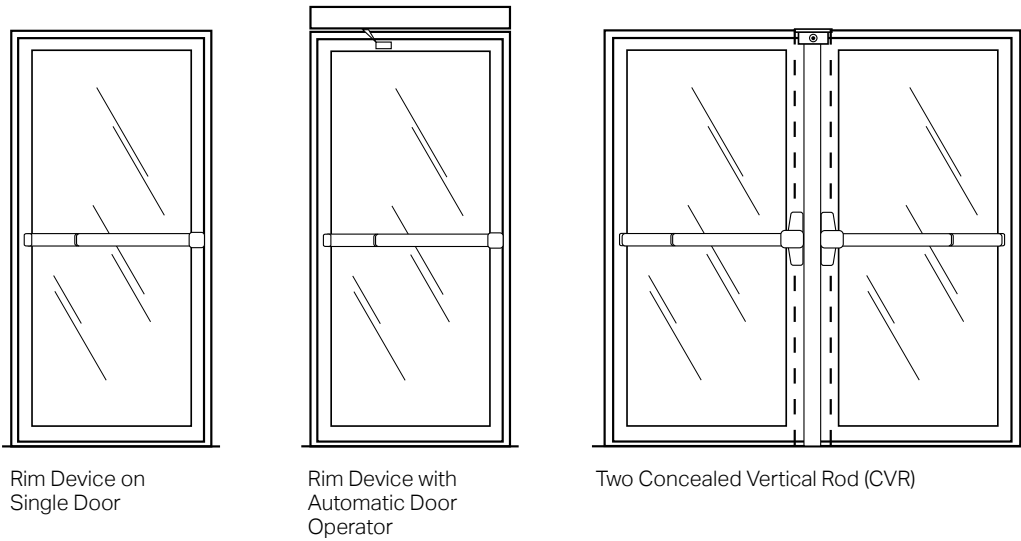
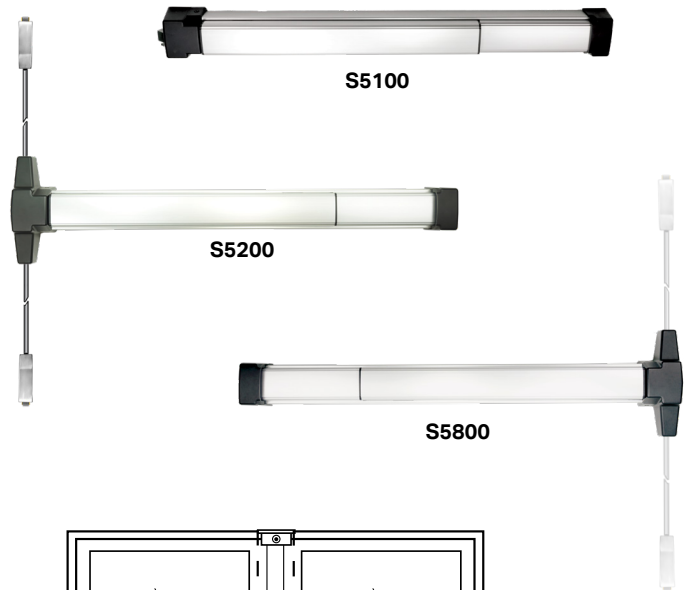
## OPTIONAL FEATURES

- Request-to-exit (REX)
- Latch status (LS)



## APPLICATIONS

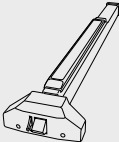
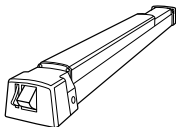
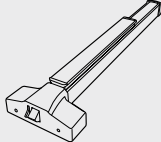
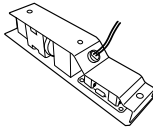
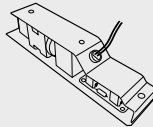
- Aluminum glass doors and frames
- Designed specifically for storefront doors
- New or retrofit construction
- Rim, surface and concealed vertical rod devices
- Single or pair of doors
- Narrow, medium and wide stiles\*
- Hinge, center pivot and offset pivot\*\*



\* S5100 rim devices that utilize a rim key cylinder for nightlatch function require medium or wide stile doors (3" minimum). See related products.

\*\* S5100 rim device requires a special strike extension block **ST51CV** (628 finish) or **ST51CY** (335 finish) to retrofit center-hung single door applications. See related products.

## CROSS REFERENCE

Series	S4000	S5000	S6000	LR100	IP100
					
<b>Application</b>	Industrial	Storefront	Architectural	Retrofit ELR Kits	Retrofit ELR PoE Kits
<b>Device Types</b>	Rim, SVR	Rim, SVR, CVR	Rim, SVR, Mortise	-----	-----
<b>Electrification</b>	Motorized ELR	Motorized ELR	Motorized ELR, Electric Dogging, Alarmed Exit	Motorized ELR	Motorized ELR

[CLICK TO VIEW](#)

[CLICK TO VIEW](#)

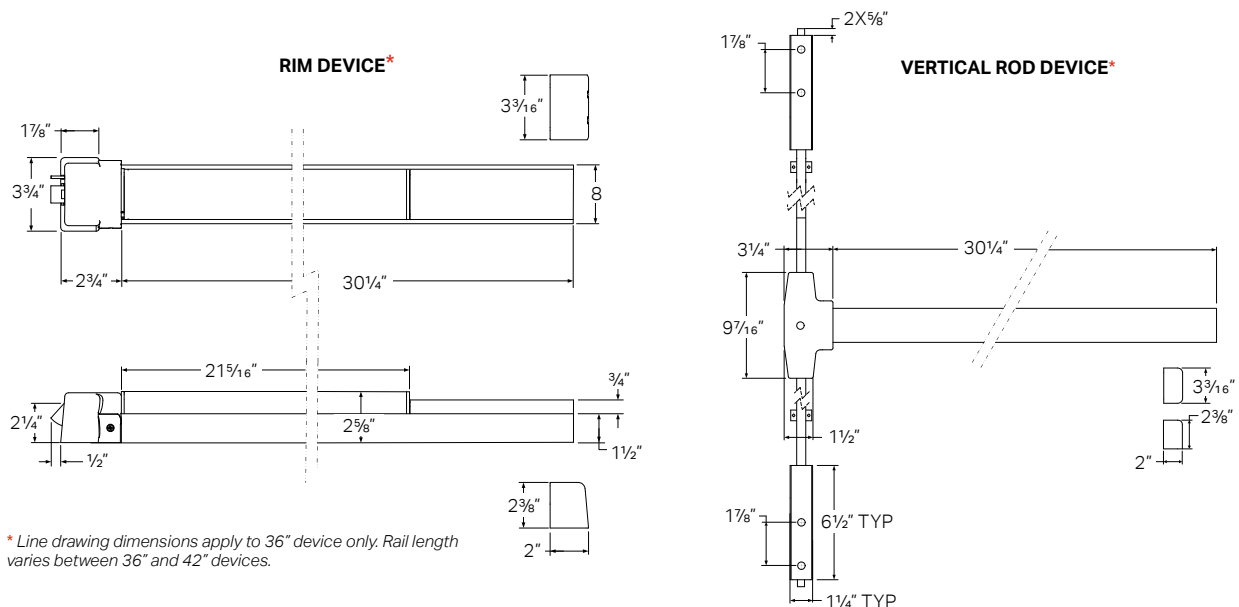
[CLICK TO VIEW](#)

[CLICK TO VIEW](#)

# SPECIFICATIONS

	S51	S52	S58
<b>Device Type</b>	Rim	Surface Vertical Rod (SVR)	Concealed Vertical Rod (CVR)
<b>Door Width</b>	36", 42"	36", 42"	36", 42"
<b>Door Height</b>	—	7'0"	7'0"
<b>Door Thickness</b>	1¾" - 2"	1¾" - 2"	1¾" - 2"
<b>Door Stile</b>	Narrow (2½" Minimum)*	Narrow (2½" Minimum)	Narrow (2½" Minimum)
<b>Handing</b>	Non-Handed	Non-Handed	Non-Handed
<b>Headcover</b>	Powder Coated Zinc	Powder Coated Zinc	Powder Coated Zinc
<b>Rail</b>	Anodized Aluminium	Anodized Aluminium	Anodized Aluminium
<b>Pushpad</b>	Anodized Aluminium	Anodized Aluminium	Anodized Aluminium
<b>End Cap</b>	Powder Coated Zinc	Powder Coated Zinc	Powder Coated Zinc
<b>Projection</b>	2⅝" Neutral 2¾" Depressed	2⅝" Neutral 2¾" Depressed	2⅝" Neutral 2¾" Depressed
<b>Latch</b>	¾" Throw Stainless Steel	¾" Throw (Top & Bottom) Stainless Steel (Top & Bottom)	¾" Throw (Top & Bottom) Stainless Steel (Top & Bottom)
<b>Deadlatch</b>	⅝" Throw, Stainless Steel	—	—
<b>Strike</b>	Stainless Steel	Stainless Steel (Top & Bottom)	Stainless Steel (Top & Bottom)
<b>Vertical Rods</b>	—	Aluminum	Aluminum
<b>Weight</b>	13 lbs	17 lbs	17 lbs
<b>Input</b>	24 VDC ± 10%	24 VDC ± 10%	24 VDC ± 10%
<b>Current Draw</b>	700 mA Inrush 200 mA Continuous	700 mA Inrush 200 mA Continuous	700 mA Inrush 200 mA Continuous
<b>Request-to-Exit (REX)</b>	SPDT 3 Amp @ 250 VAC Resistive	SPDT 3 Amp @ 250 VAC Resistive	SPDT 3 Amp @ 250 VAC Resistive
<b>Latch Status (LS)</b>	SPDT 5 Amp @ 250 VAC Resistive	SPDT 5 Amp @ 250 VAC Resistive	SPDT 5 Amp @ 250 VAC Resistive

\* S5100 rim devices that utilize a rim key cylinder for nightlatch function require medium or wide stile doors (3" minimum). See related products.




\* Line drawing dimensions apply to 36" device only. Rail length varies between 36" and 42" devices.





## CERTIFICATIONS

UL 305 Panic Hardware  
ANSI/BHMA A156.3 Grade 1

## HOW TO ORDER

### FOLLOW STEPS FOR ORDERING

 Designates optional step

<p><b>1  SPECIFY DEVICE TYPE</b></p> <ul style="list-style-type: none"> <li><b>S51</b> Rim</li> <li><b>S52</b> Surface Vertical Rod (SVR)</li> <li><b>S58</b> Concealed Vertical Rod (CVR)</li> </ul> <p><b>2  SPECIFY TRIM FUNCTION</b></p> <ul style="list-style-type: none"> <li><b>01</b> Exit Only (No Trim)</li> </ul> <p><b>3  SPECIFY RATING</b></p> <ul style="list-style-type: none"> <li><b>P</b> Panic Device </li> </ul> <p><b>4  SPECIFY FINISH</b></p> <ul style="list-style-type: none"> <li><b>V</b> 628 Dull Aluminum </li> <li><b>Y</b> 335 Dull Black</li> </ul>	<p><b>5  SPECIFY LENGTH</b></p> <ul style="list-style-type: none"> <li><b>36</b> 36" Door Opening </li> <li><b>42</b> 42" Door Opening</li> </ul> <p><b>6  SPECIFY OPTIONS</b></p> <ul style="list-style-type: none"> <li><b>R</b> Request-To-Exit (REX)</li> <li><b>L</b> Latch Status (LS)</li> </ul> <p><b>7  SPECIFY ELECTRIFICATION</b></p> <ul style="list-style-type: none"> <li><b>E</b> Motorized Electric Latch Retraction &amp; Dogging </li> </ul>
--	--

STEP NUMBER:	1	2	3	4	5	6	7
ORDERING EXAMPLE:	<b>S51</b>	<b>01</b>	<b>P</b>	<b>V</b>	<b>36</b>	<b>R</b>	<b>E</b>

## RELATED PRODUCTS

### RETROFIT STRIKE BLOCK\*

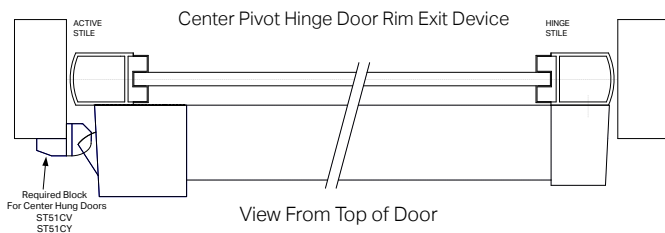
**ST51CV** Rim Strike Block for Center-Hung Single Door Retrofit Applications, 628 Finish

**ST51CY** Rim Strike Block for Center-Hung Single Door Retrofit Applications, 335 Finish

\* S5100 rim device requires a special strike block to retrofit center-hung single door applications.

### KEY CYLINDERS

**RIM-CYL-KA** Rim Cylinder, 6-Pin, Keyed Alike



## COMPONENT CONSIDERATIONS

### LOW ENERGY OPERATORS

[CLICK TO VIEW](#)



SDC's low energy swing door operators are designed for applications requiring ADA compliance, user convenience and touchless solutions. The state-of-the-art microprocessor-based operator is self-tuning and self-learning while offering non-handed operation, full mechanical stops, door sequencing and a variety of interface options for sensors, push-plates, fire alarms and electrified locks. A built-in 1 Amp power supply allows users to power electric latch retraction directly from the operator.

### POWER TRANSFER DEVICES

[CLICK TO VIEW](#)



Electrified power transfer hinges (PTH Series), loops (PT Series) and mortise devices (PTM Series) provide both surface and concealed methods for running wires from the frame to transfer power and monitoring signals to doors equipped with electric locks and exit devices. Wireless power transfer devices (WPT Series) wirelessly transfer power and monitor latch bolt status, REX or data signals to electrified locks and latches.

### PUSH PLATES & PANELS

[CLICK TO VIEW](#)



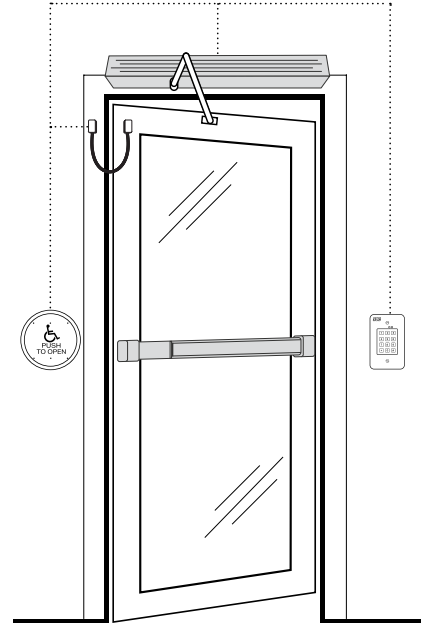
SDC's push plates and panels combined with SDC's operators, bollards and locking devices allow for complete access and egress solutions for ADA compliant applications. Included are round and square push plates, as well as wall mount and full-size push panels. All types can be wireless or hardwired, bollard or wall mounted. ADA compliant solutions work seamlessly with low energy swing door operators like Auto EntryControl™.

### KEYPADS & READERS

[CLICK TO VIEW](#)



SDC has a variety of digital keypad and proximity card access control system equipment to meet any need. SDC's keypads and readers are engineered to provide real-world door control of a single opening up to 100 doors, such as indoor, outdoor and PC-based systems, while ensuring fire and life safety code compliance along with superior expandability and flexibility in authorization identification, authentication, access approval and accountability of entities through login credentials.



### POWER CONTROLLERS

[CLICK TO VIEW](#)



SDC access control power supplies have been developed specifically to support access controls and electric locking hardware. They are UL listed and provide filtered and regulated linear DC power, with optional control logic, component interface, alarm interface and battery back-up to meet the requirements of single and multiple access-controlled openings. The circuitry design is ideal for the inductive loads generated by access control hardware for high performance and longevity.

### DOOR CONTROLS & BACKUP BATTERIES

[CLICK TO VIEW](#)



SDC's door control relay modules ensure compatibility of access hardware components and simplify system installation and troubleshooting. Different modules may be specified for one power supply. The isolated relay design allows trigger signals over small gauge cable runs of 22 gauge wire up to 1,000 feet from the trigger device to the module. SDC's engineered system design services are available when you purchase SDC locks, control modules and power controllers for your door opening applications.