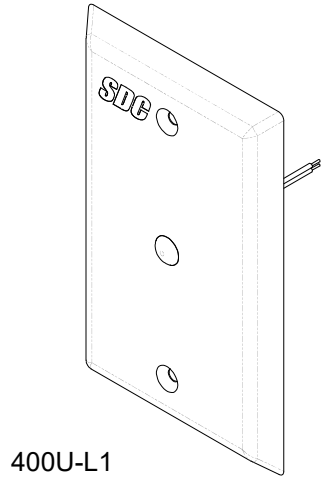


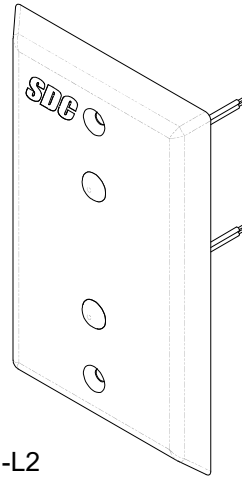


INSTALLATION INSTRUCTIONS

400 SERIES WALL MOUNT INDICATOR

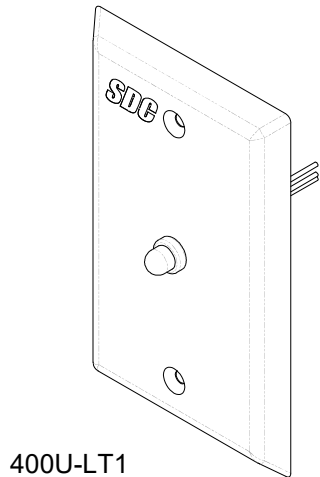
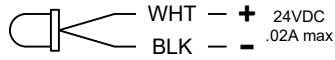


400U-L1

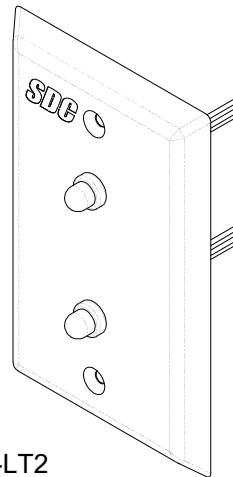


400U-L2

Single Color LED Wiring (L1G, L1R, or L2 Option)

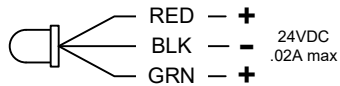


400U-LT1



400U-LT2

Tri-Color LED Wiring (LT Option)



- Apply (+) VDC to RED wire to illuminate RED
- Apply (+) VDC to GRN wire to illuminate GRN
- Apply (+) VDC to both GRN & RED wire to illuminate AMBER