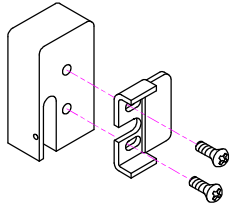




INSTALLATION INSTRUCTIONS

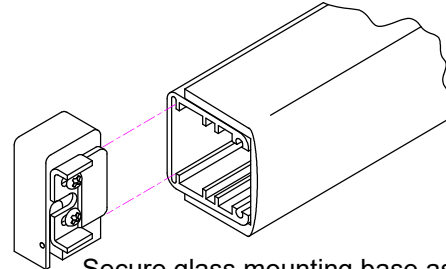
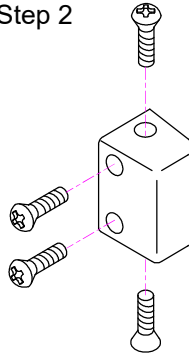
500GL-KIT GLASS MOUNT INSTALLATION MSB550/PSB560

Step 1



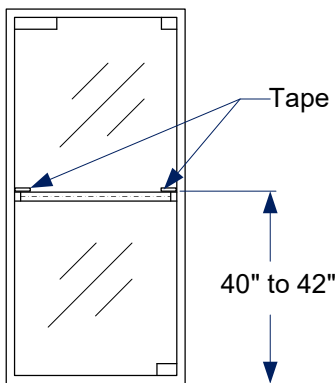
Attach bar mounting brackets to glass mounting base.

Step 2



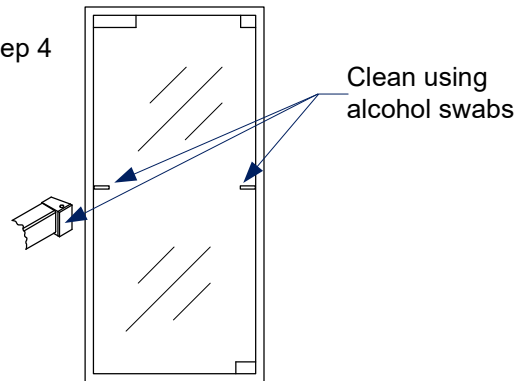
Secure glass mounting base assembly to each end of the bar assembly. Secure plastic end caps to bar. Do not tighten all the way (loose fit during installation will allow mounting blocks to be placed flat against the glass). Once mounting blocks adhere to glass, tighten screws completely after connecting power leads to device.

Step 3



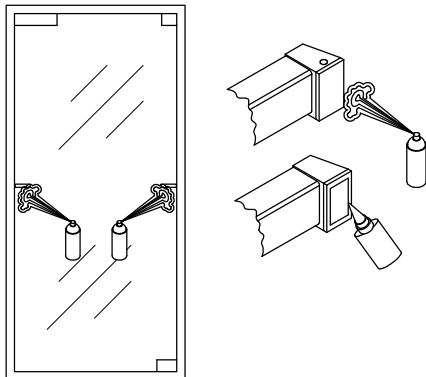
Using tape, mark bar location on outside of glass door.

Step 4



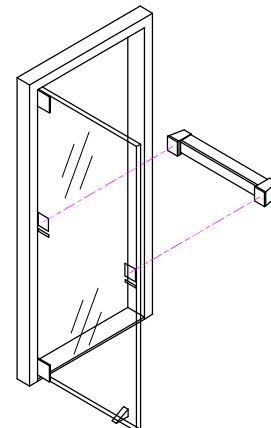
Clean glass and mounting blocks with alcohol swabs provided.

Step 5



Apply hardener primer to glass and blocks. Wait 3 minutes and apply adhesive to **blocks** only.

Step 6



Press and hold bar firmly in place against the glass door for approximately 3 minutes until bar is secured to door