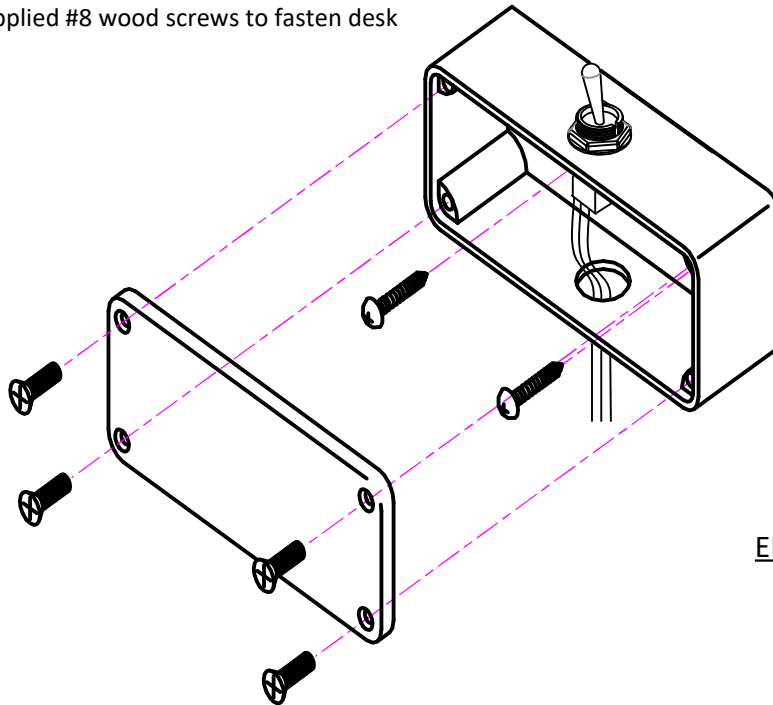




# INSTALLATION INSTRUCTIONS

## D15-3 CONCEALED REMOTE DESK SWITCH ALTERNATE ACTION SPDT TOGGLE SWITCH

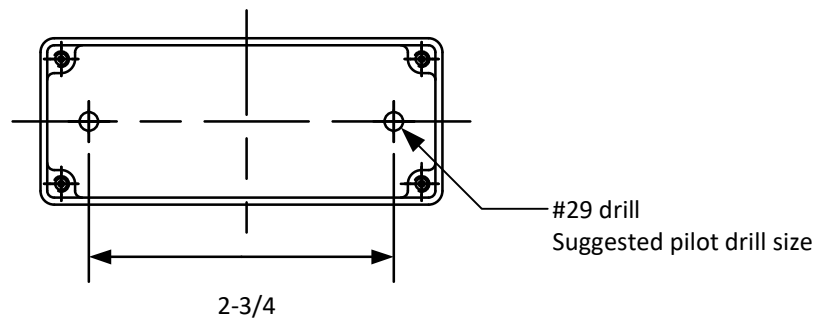
Remove the 4 screws from the cover plate to obtain access to the mounting holes. Use the supplied #8 wood screws to fasten desk switch.



### ELECTRICAL SPECIFICATION

Switch Rating  
5 amps @ 30 vdc  
(Resistive/Inductive)

Wire Code  
N/O YELLOW  
COM WHITE  
N/C ORANGE



Mounting hole dimension  
(Not to scale)

Any suggestions or comments to this instruction or product are welcome. Please contact us through our website or email [engineer@sdsecurity.com](mailto:engineer@sdsecurity.com)