

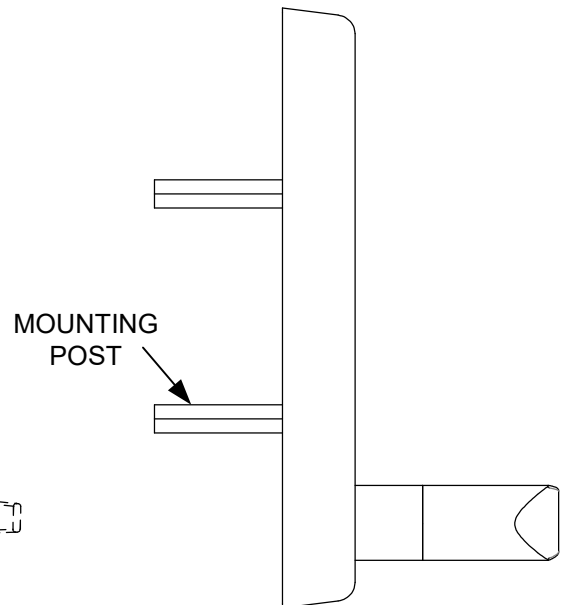
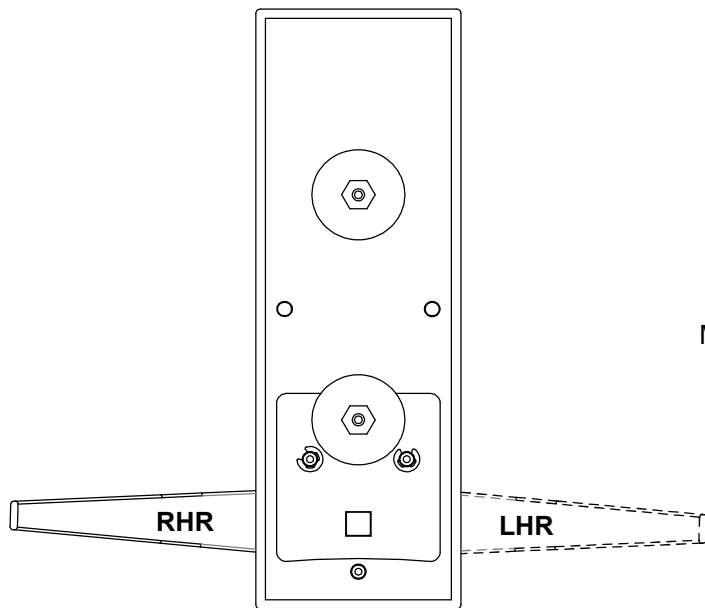
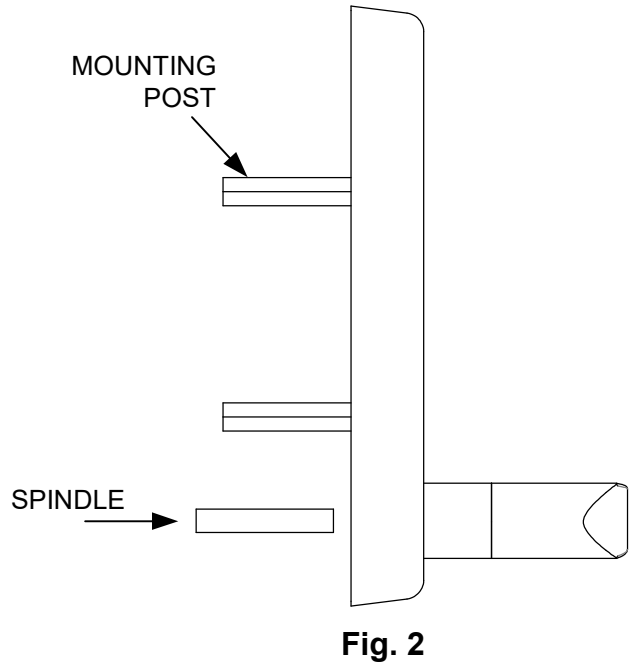
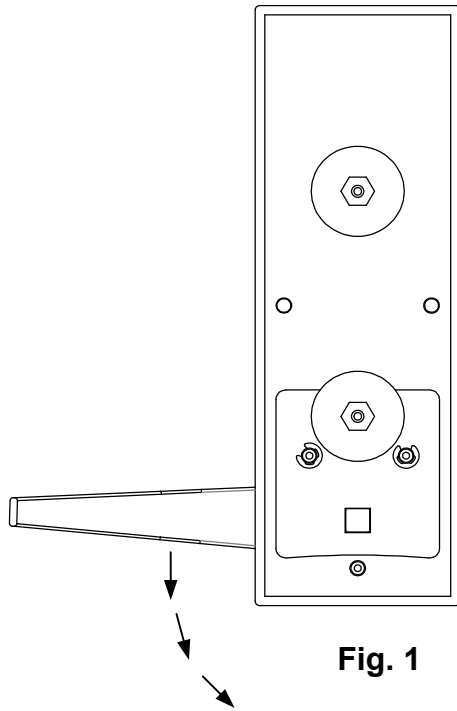


INSTALLATION INSTRUCTIONS

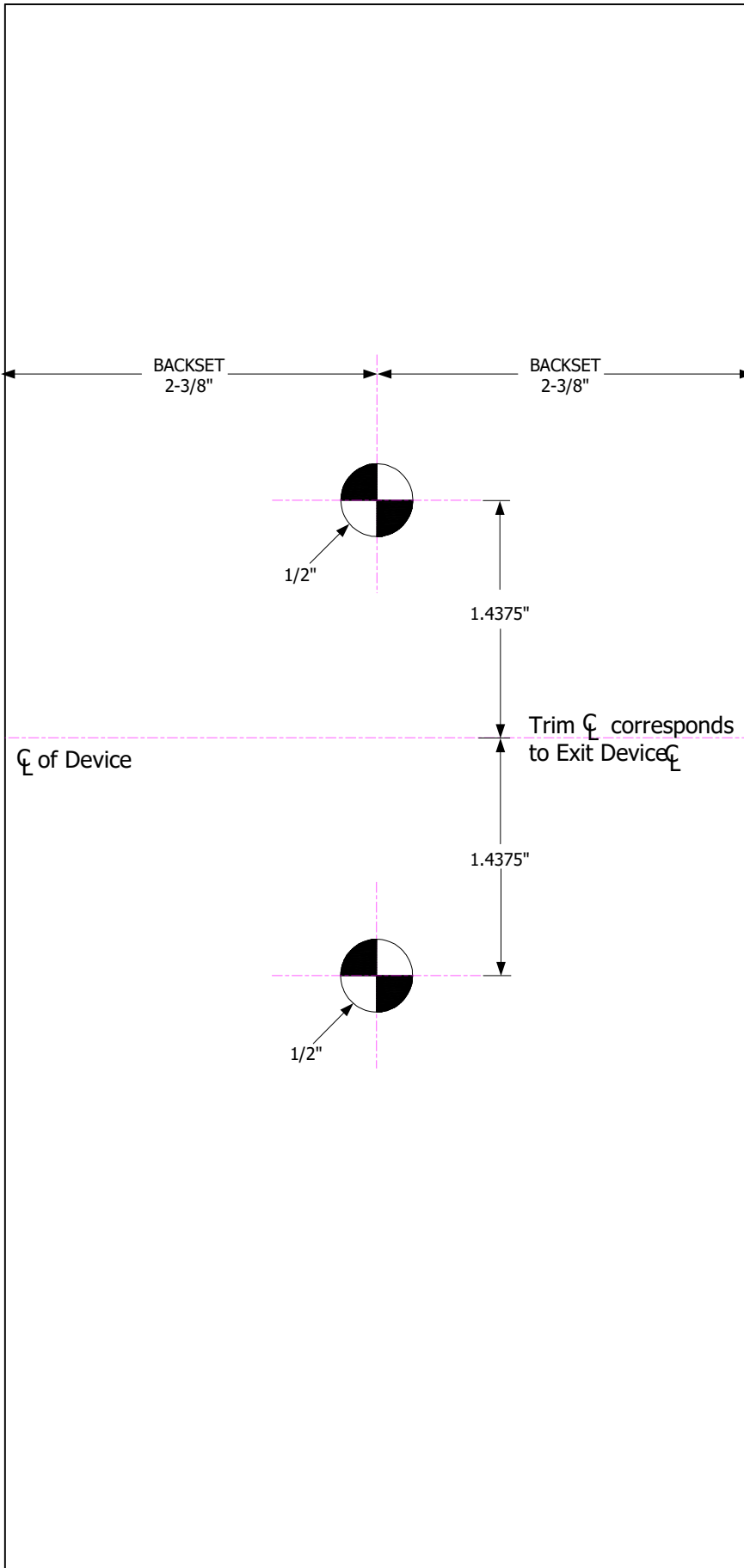
EK402 & GK402 DUMMY TRIM LEVER HANDING & MOUNTING

CHANGE HAND OF LEVER HANDLE

1. Turn lever handle to the right or left direction to meet door handing (Fig. 1).
2. Insert the square spindle into the hub (Fig. 2).
3. Proceed with Escutcheon Trim Device instructions.



Any suggestions or comments to this instruction or product are welcome. Please contact us through our website or email engineer@sdsecurity.com



Simple Instructions:

1. Use the corresponding drills at indicated locations. Drill holes through the door to accept the two escutcheon locator pins and the spindle.
2. Fasten the supplied mounting screws into the hex standoffs on the trim, from the inside of the door. The two screws must go through the chassis of the exit device.

NOTE:

1. For single doors and double doors with mullion, use the backset dimension of 2-3/8" to **FACE OF STOP**.

**EK402, GK402
TEMPLATE
DUMMY TRIM
(DIMENSIONAL DRAWING ONLY
NOT TO SCALE)**