

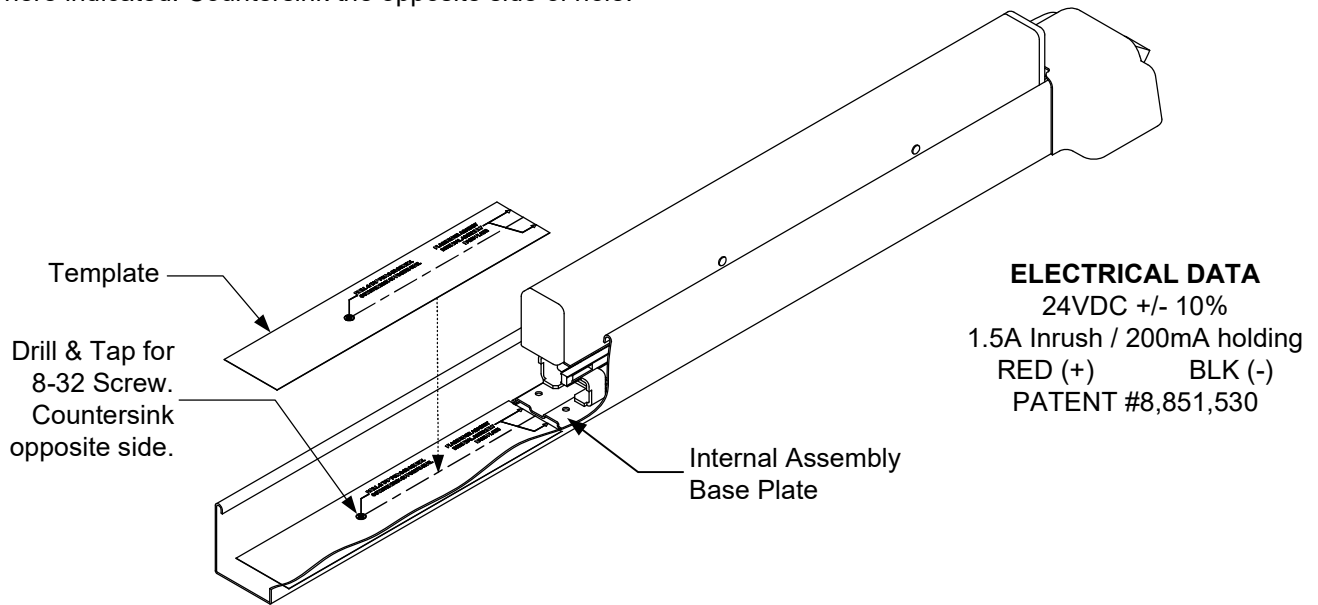


INSTALLATION INSTRUCTIONS

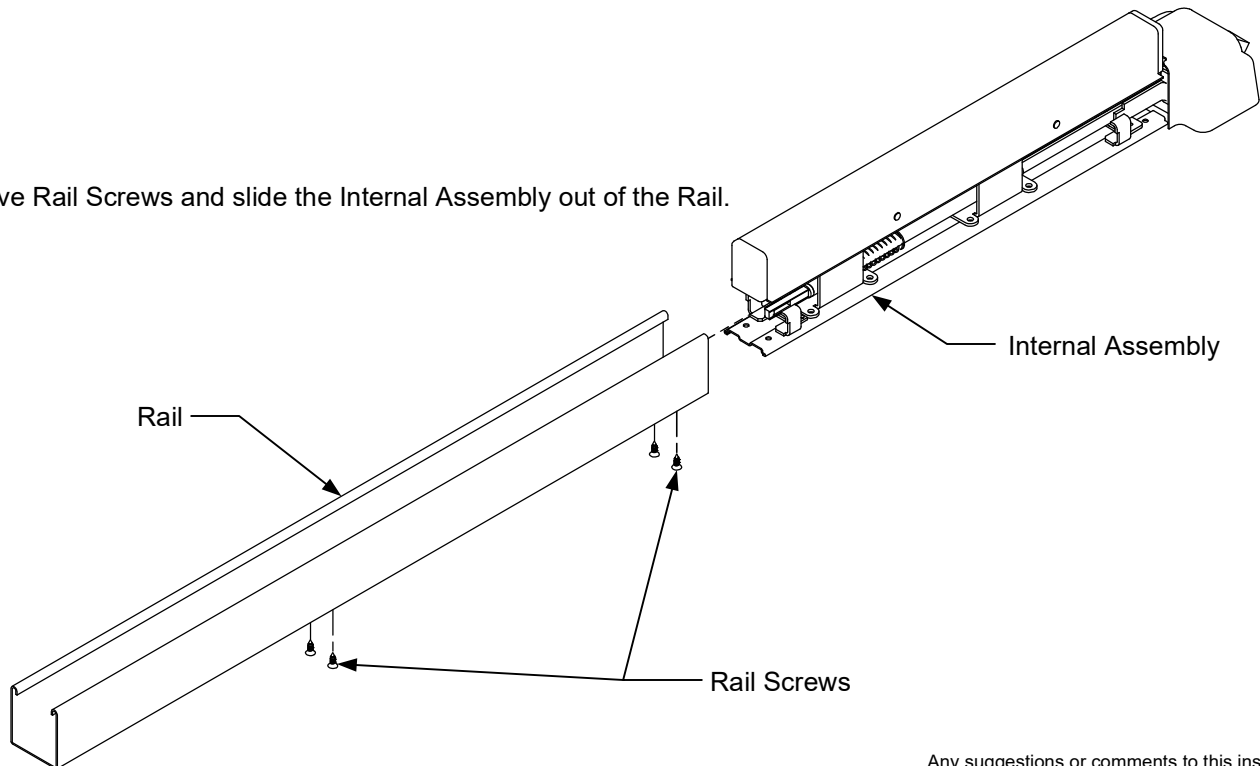
LR100VDK-22V2-EM ELECTRIC LATCH RETRACTION DEVICE KIT VON DUPRIN MODELS: 22 & 2227

Retrofit Installation Note: 42" or 48" exit devices that have been modified to fit a 36" or smaller opening may not have the required space to fit the standard E. L. R. assembly. Always verify the distance from the end of the touchpad to the end rail and, if necessary, consult with the factory for appropriate selection.

Remove device from door. Remove Von Duprin mechanical dogging assembly from Internal Assembly. Place provided Template in device Rail so that indicated edge is against the Internal Assembly Base Plate. Drill & tap for a 8-32 screw through Rail where indicated. Countersink the opposite side of hole.



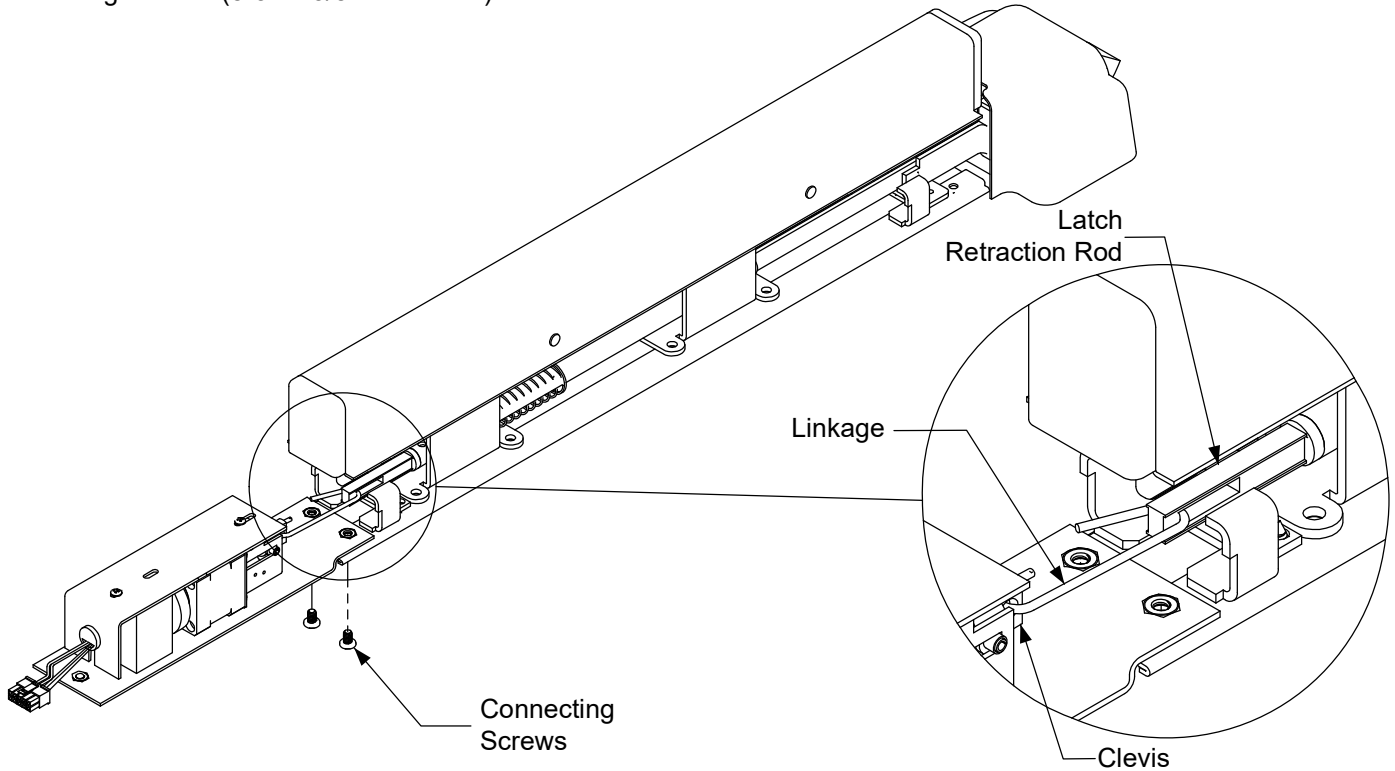
Remove Rail Screws and slide the Internal Assembly out of the Rail.



Any suggestions or comments to this instruction or product are welcome. Please contact us through our website or email engineer@sdsecurity.com

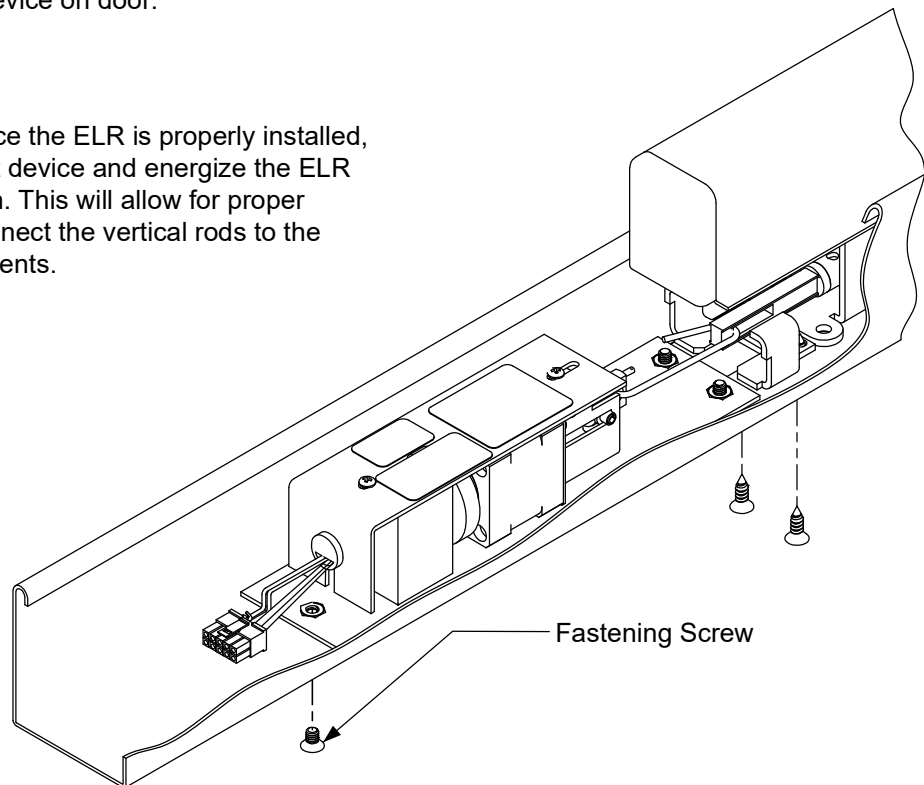


Connect Linkage between Clevis and Latch Retraction Rod. Connect ELR Baseplate with Internal Assembly using Connecting Screws (8-32 x 3/8" Pan Head).



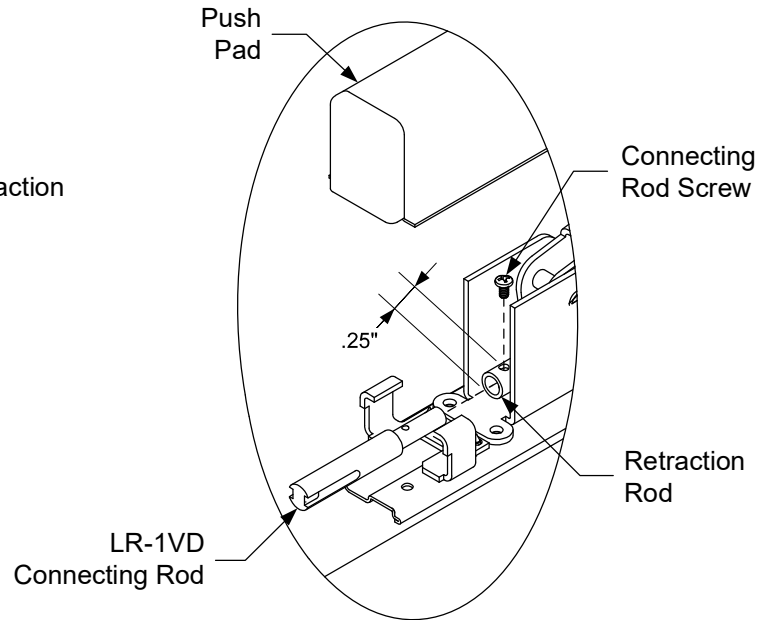
Slide Internal Assembly with attached ELR back into Rail and re-fasten Rail Screws. Secure ELR with Fastening Screw (8-32 x 1/4" Flat Head). Re-mount device on door.

Note for Vertical Rod Devices: Once the ELR is properly installed, disconnect the vertical rods from exit device and energize the ELR so that the push pad is dogged down. This will allow for proper alignment of the vertical rods. Reconnect the vertical rods to the device and make the proper adjustments.

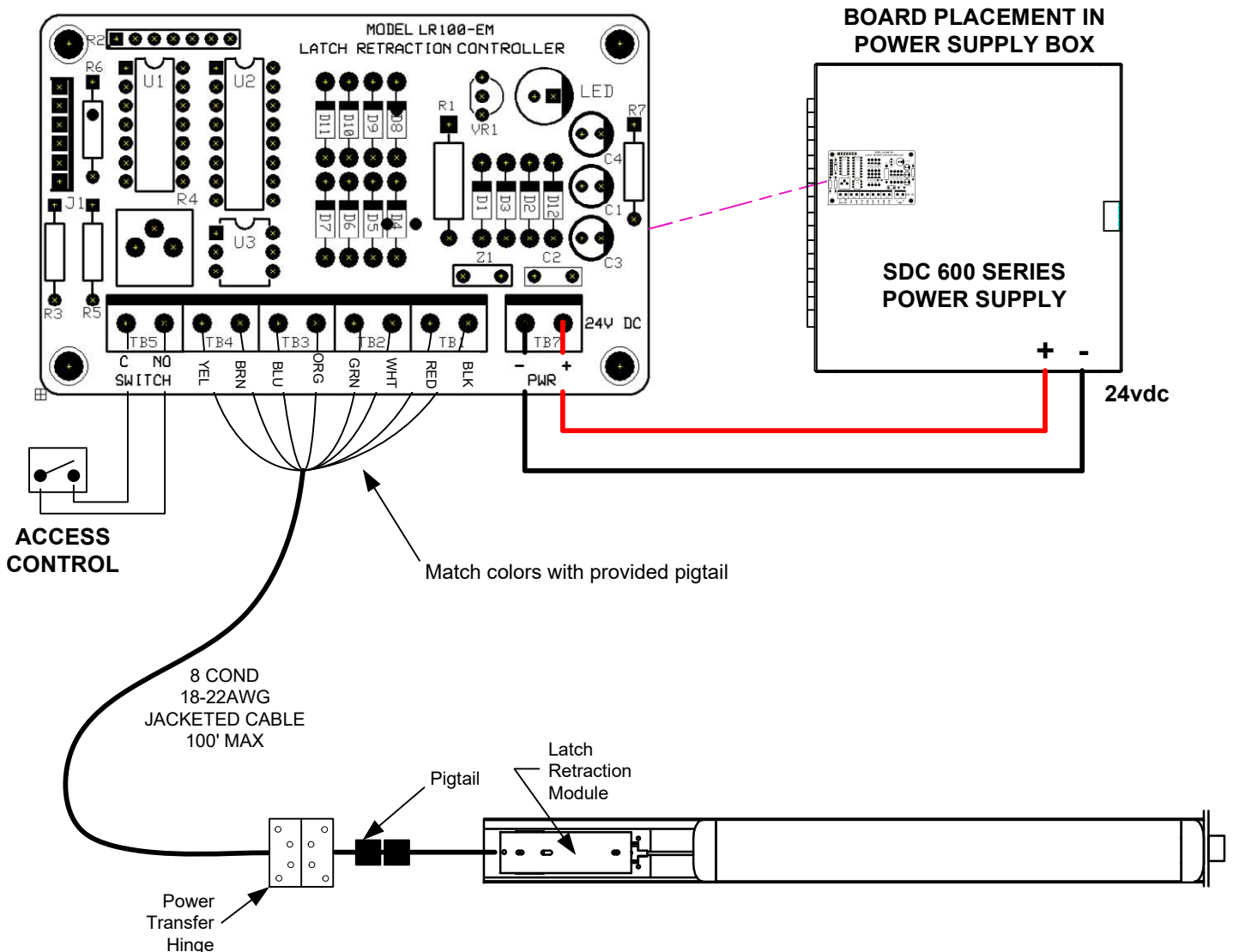


LR-1VD Connecting Rod Install for use on Von Duprin Devices Less Dogging Feature

1. Remove the Push Pad from the device.
2. Drill a 5/32" (.156") diameter hole through top of Retraction Rod 1/4" (.25") from end as shown in illustration.
3. Insert the Connecting Rod provided and fasten with Connecting Rod Screw.

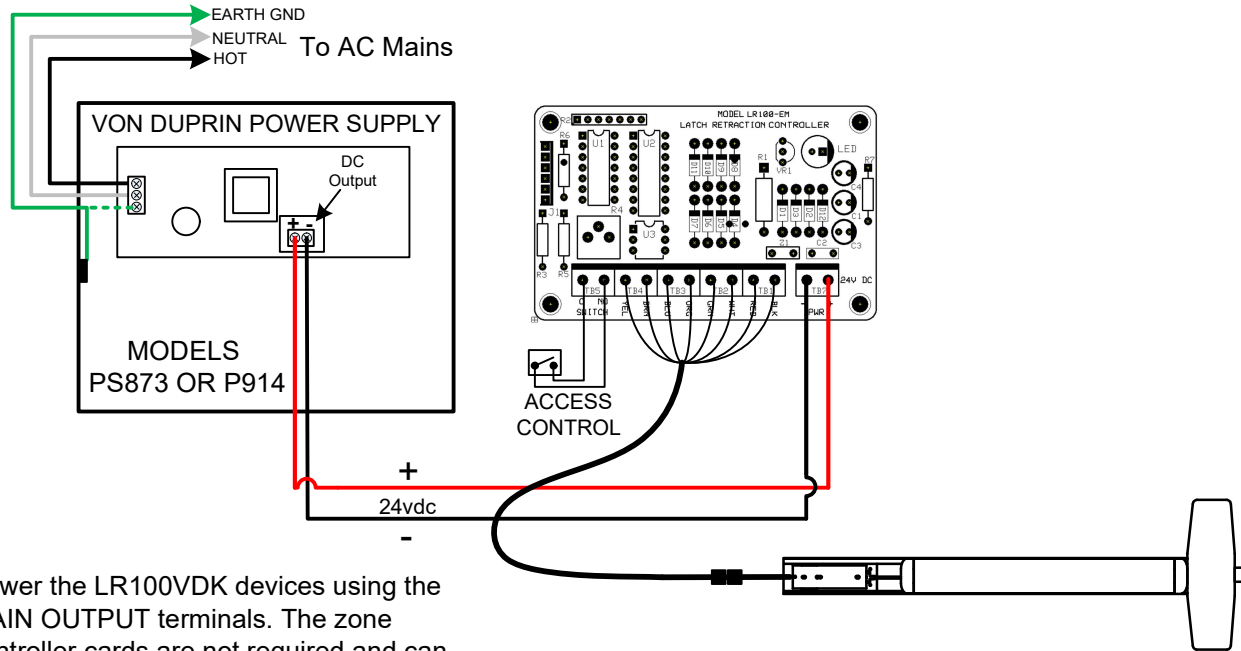


LR100VDK-22V2-EM WIRING DIAGRAM



WIRING FOR VON DUPRIN POWER SUPPLY

SINGLE DEVICE



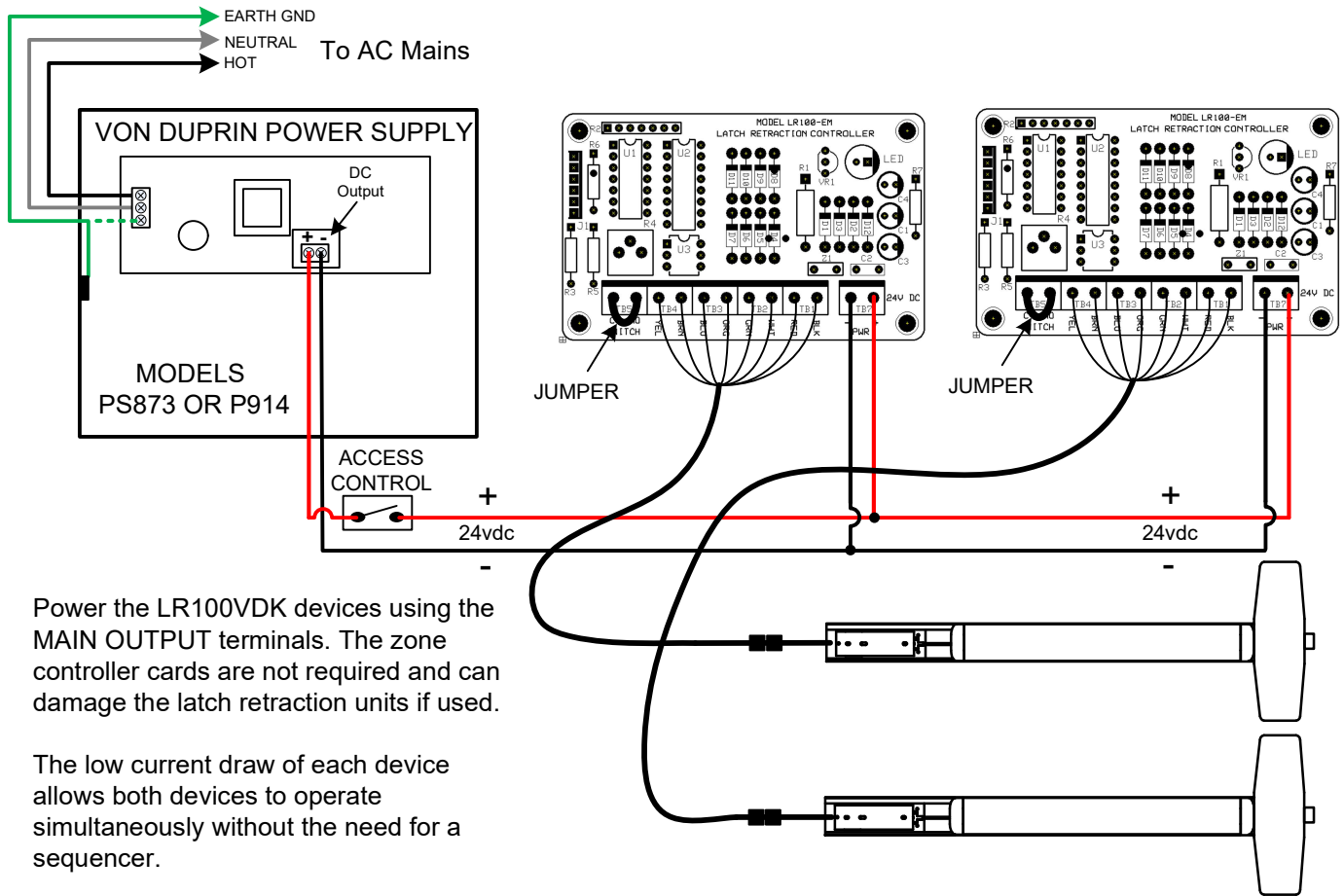
- Power the LR100VDK devices using the MAIN OUTPUT terminals. The zone controller cards are not required and can damage the latch retraction units if used.
- The low current draw of each device allows both devices to operate simultaneously without the need for a sequencer.

Wire colors from provided Pigtail must connect to the same colors marked on PCB. If the Jacketed Cable does not have the same colors as the Pigtail, use the following chart to mark the color connections from Pigtail to Jacketed Cable to PCB.

| <u>PIGTAIL</u> | <u>JACKETED CABLE</u> | <u>PCB</u> |
|----------------|-----------------------|------------|
| BLACK | → | BLACK |
| RED | → | RED |
| WHITE | → | WHITE |
| GREEN | → | GREEN |
| ORANGE | → | ORANGE |
| BLUE | → | BLUE |
| BROWN | → | BROWN |
| YELLOW | → | YELLOW |

WIRING FOR VON DUPRIN POWER SUPPLY

PAIR OF DEVICES



- Power the LR100VDK devices using the MAIN OUTPUT terminals. The zone controller cards are not required and can damage the latch retraction units if used.
- The low current draw of each device allows both devices to operate simultaneously without the need for a sequencer.

Wire colors from provided Pigtail must connect to the same colors marked on PCB. If the Jacketed Cable does not have the same colors as the Pigtail, use the following chart to mark the color connections from Pigtail to Jacketed Cable to PCB.

| <u>PIGTAIL</u> | <u>JACKETED CABLE</u> | <u>PCB</u> |
|----------------|-----------------------|------------|
| BLACK | → | BLACK |
| RED | → | RED |
| WHITE | → | WHITE |
| GREEN | → | GREEN |
| ORANGE | → | ORANGE |
| BLUE | → | BLUE |
| BROWN | → | BROWN |
| YELLOW | → | YELLOW |