



INSTALLATION INSTRUCTIONS

LRCA2R

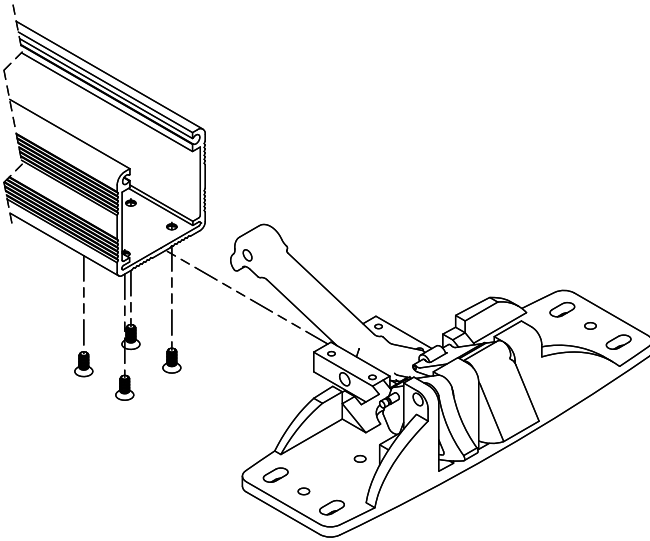
CAL-ROYAL REX SWITCH KIT

(DOUBLE MONITORING SWITCH)

MODELS: 7700, 7760 / F7700 & F7760

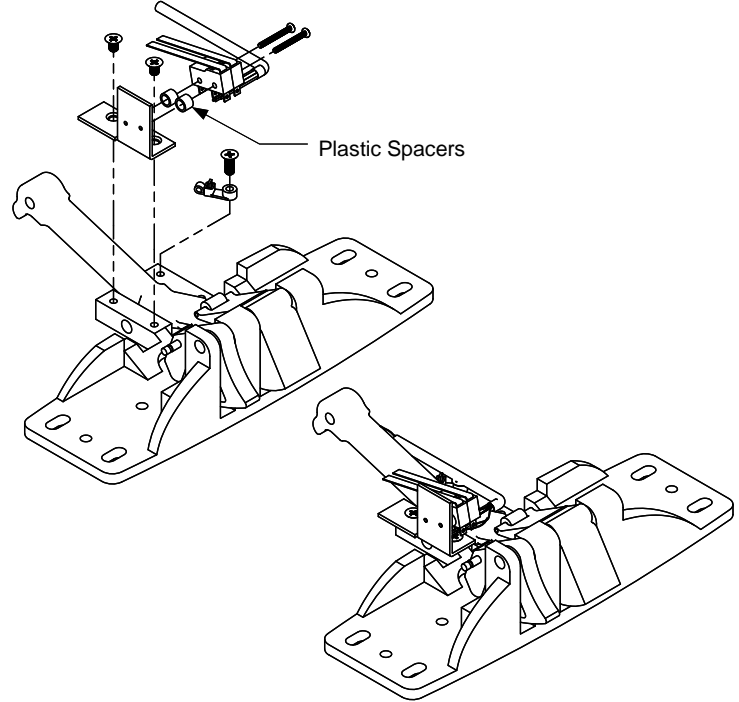
STEP 1

Carefully remove the Head Cover (not shown) and the four screws holding the Head to the Housing. Slide the Head assembly out of the Housing.



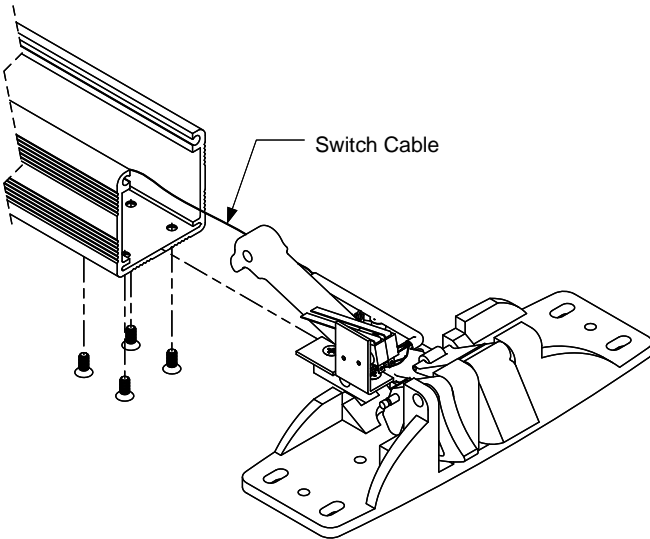
STEP 2

Attach Switch Assembly Bracket to existing holes in the Head. Attach Switches to Bracket with plastic Spacers between. Attach Cable Tie where shown and insert cable.



STEP 3

Route Cable along the side of the housing. Slide Head back into Housing and re-fasten the four screws.



WIRING DETAIL

REX 1:		REX 2:	
COM	BLK	COM	BRN
N/O	WHT	N/O	GRN
N/C	RED	N/C	BLU