



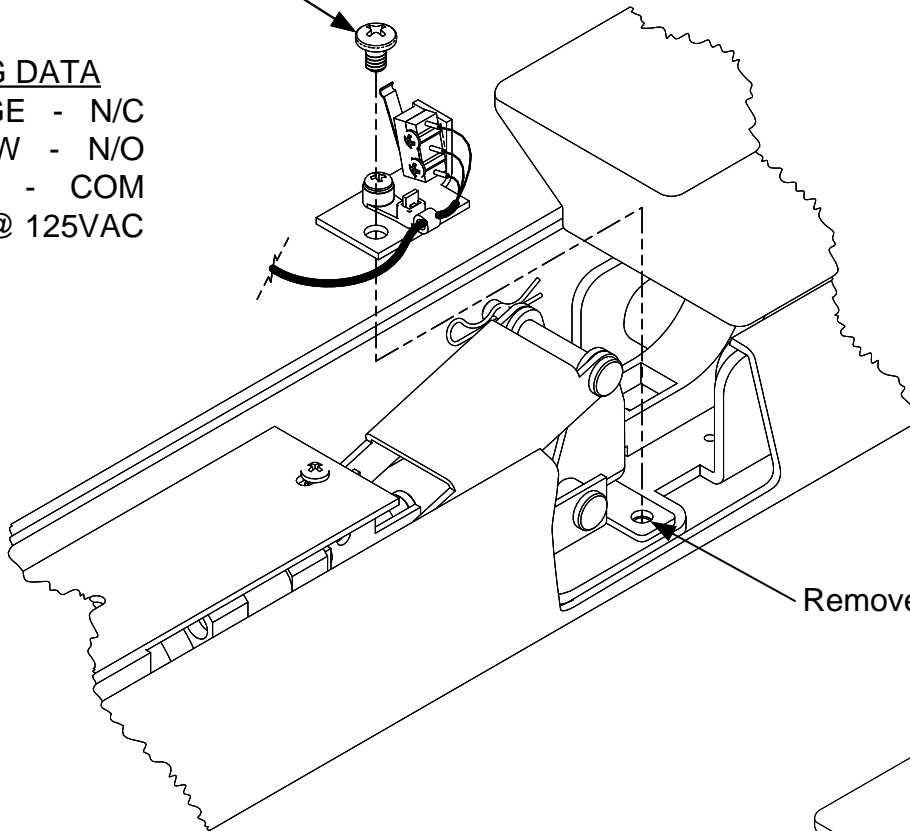
INSTALLATION INSTRUCTIONS

INST-LRDA1R DORMA EXIT DEVICE REX SWITCH MODELS: 9300, F9300, 9400 & F9400

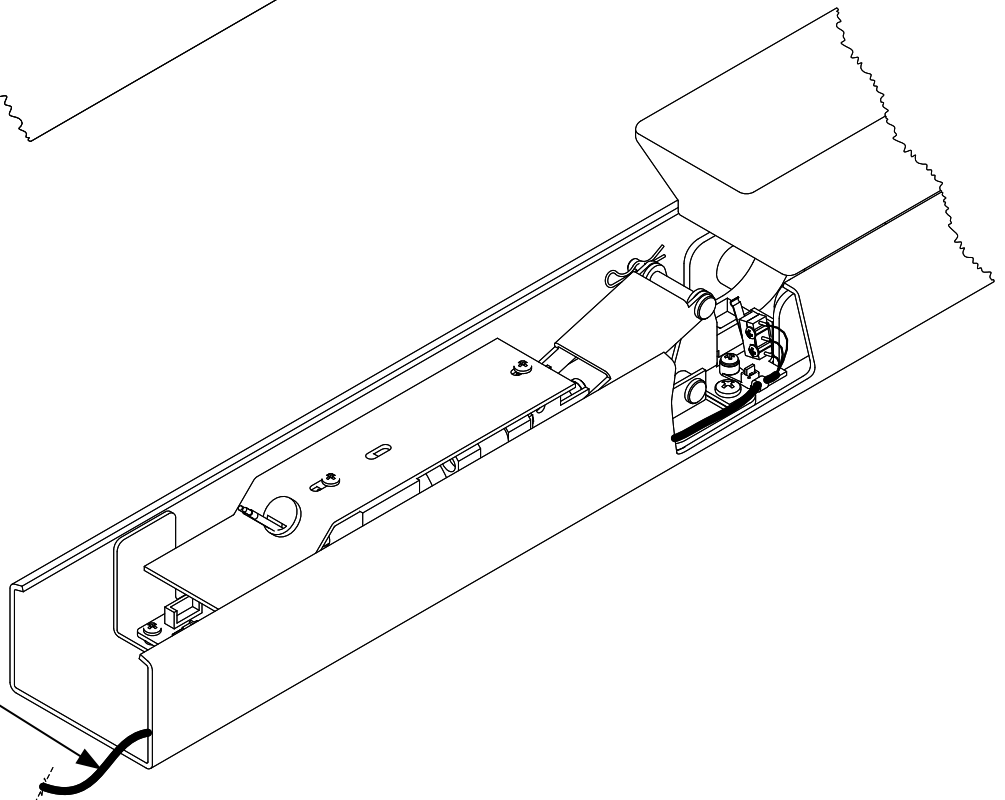
REX kit mounting screw

WIRING DATA

ORANGE - N/C
YELLOW - N/O
WHITE - COM
3AMP @ 125VAC



Remove existing screw.



Route cable next to ELR