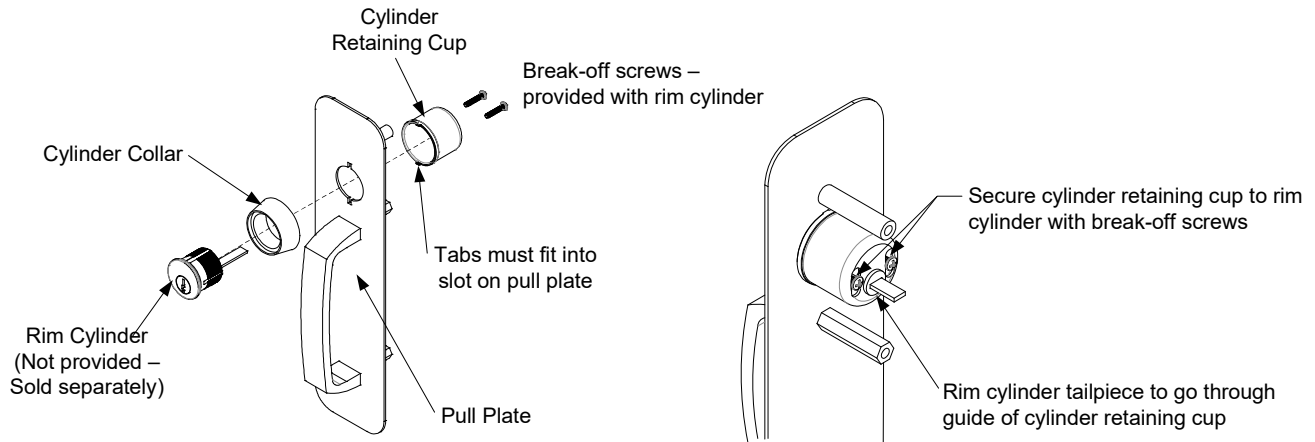


INSTALLATION INSTRUCTIONS

SP403U S4000 SATURN KEY RETRACTS LATCHBOLT

INSTALLING RIM CYLINDER TO PULL PLATE

1. Use template to mark the hole locations on the door. Drill holes onto door.
2. Install rim cylinder using the provided cylinder collar packed with trim. (Do not use any other collar)
3. On the backside of pull plate, place the cylinder retaining cup over the rim cylinder tailpiece.
4. Using the 2 break-off screws provided with the rim cylinder, secure the cylinder retaining cup to the rim cylinder.



INSTALLING PULL PLATE

1. Insert the 3 mounting posts and cylinder assembly through holes in door.
2. The rim cylinder tailpiece should enter into the exit device cam approximately 7/16". If tailpiece is too long and enters the exit device cam more than 7/16, carefully measure and mark the tailpiece at the closest break-off line to achieve the desired 7/16 engagement length. Then using pliers, break tailpiece at marked break-off line.
3. Secure the pull plate and the exit device using the 3 supplied mounting screws.

