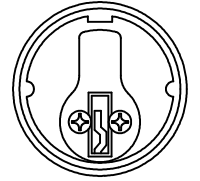
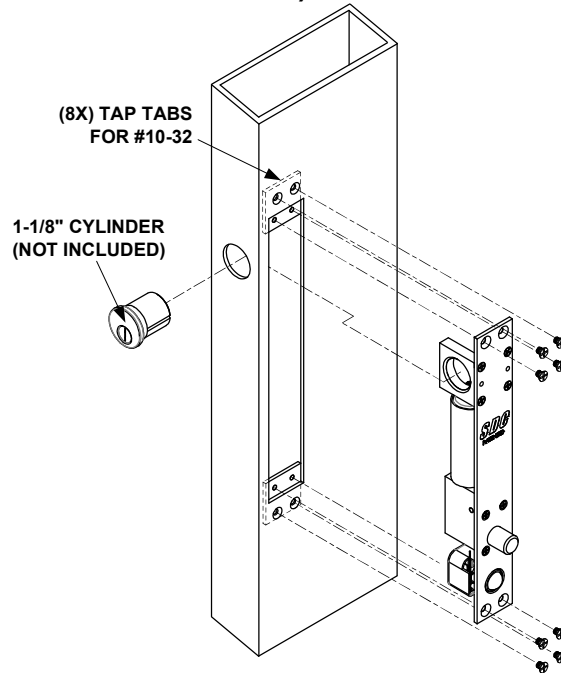
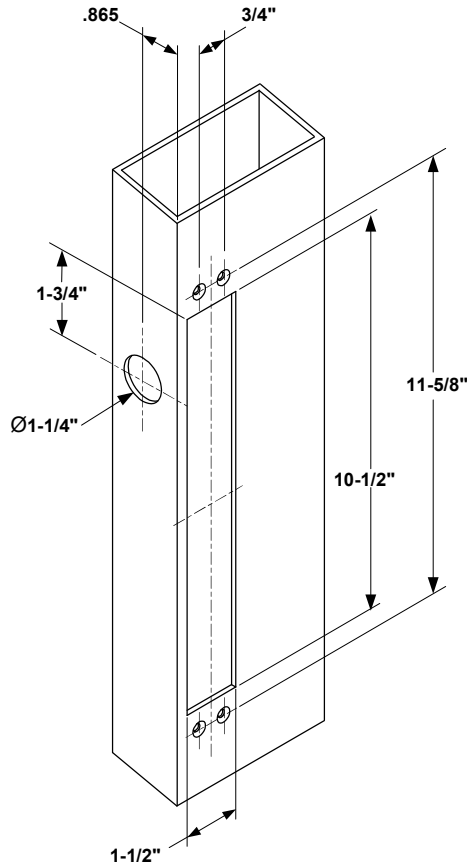




INSTALLATION INSTRUCTIONS

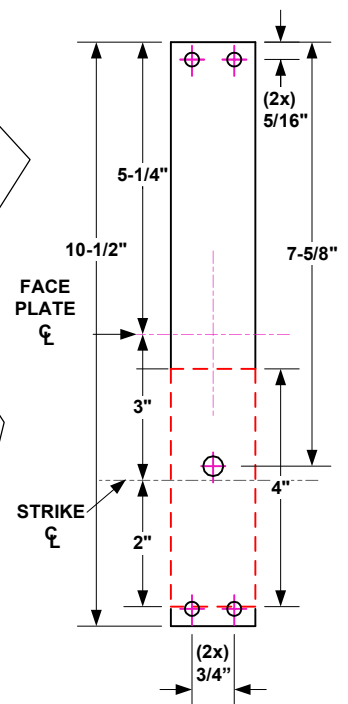
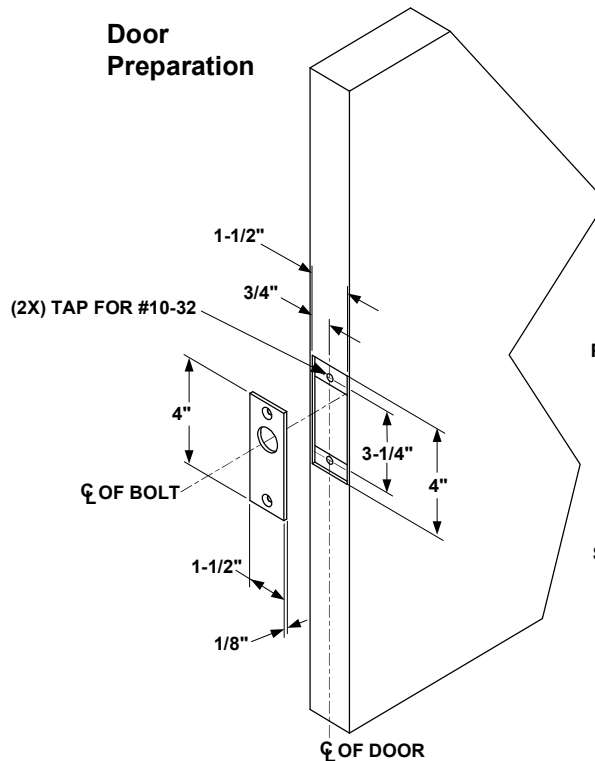
1291ADMR (.865" BACKSET) CONCEALED MORTISE BOLT LOCK with MECHANICAL RELEASE FAIL-SECURE (SINGLE CYLINDER PREP)

Aluminum Frame Preparation



Use standard straight cam ILCO (863G) or equivalent.

Door Preparation



NOTE:
DIMENSIONAL REFERENCE ARE SUBJECT TO CHANGE WITHOUT NOTICE.

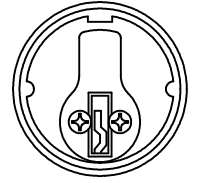
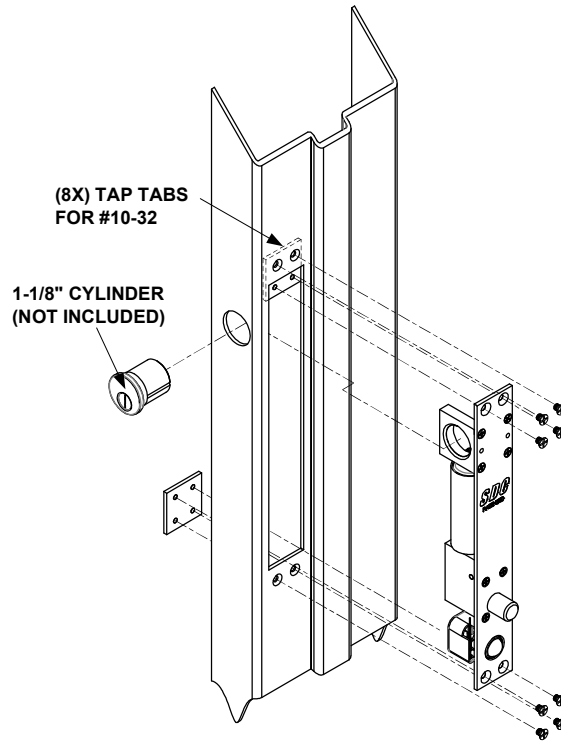
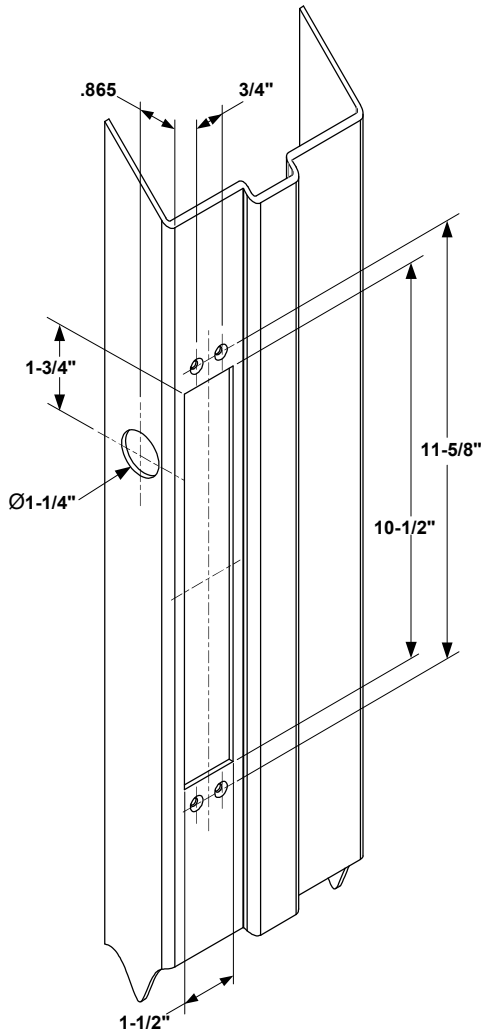
TECHNICAL DATA (FOR STANDARD UNIT)

FACE PLATE:	10-1/2" x 1-1/2" X 1/8"
STRIKE:	4" x 1-1/2" x 1/8"
ID REQUIREMENTS:	10-1/2" x 1-1/2" x 1-3/4"
BOLT:	5/8" DIA. STAINLESS STEEL
BOLT THROW:	3/4"
BACK SET:	.865"

Any suggestions or comments to this instruction or product are welcome. Please contact us through our website or email engineer@sdsecurity.com

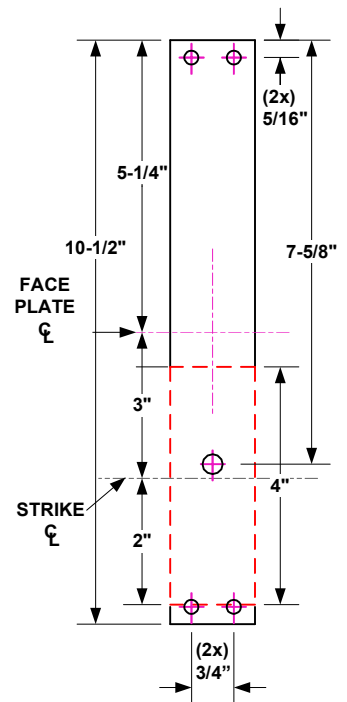
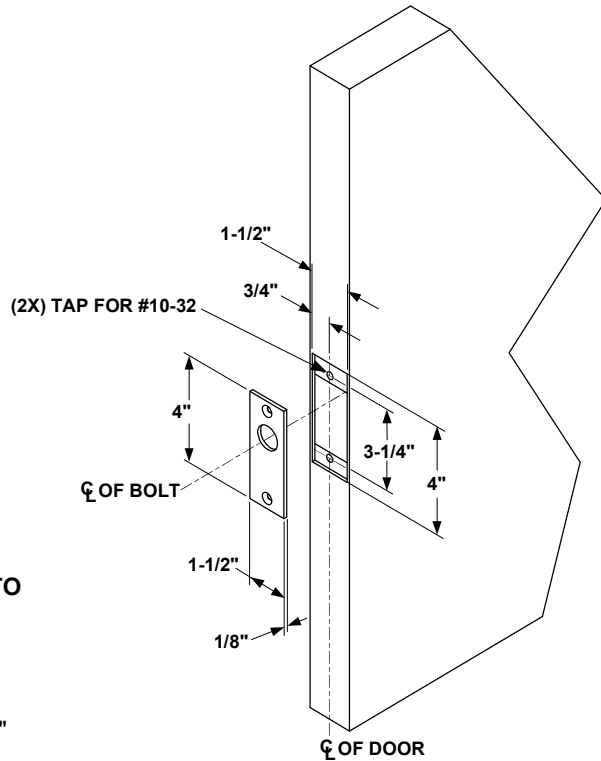


Hollow Metal Frame Preparation



Use standard straight cam ILCO (863G) or equivalent.

Door Preparation



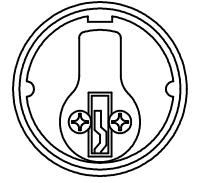
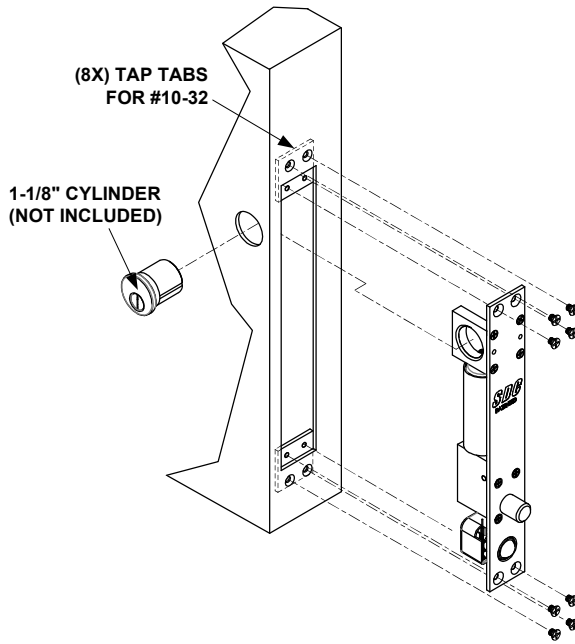
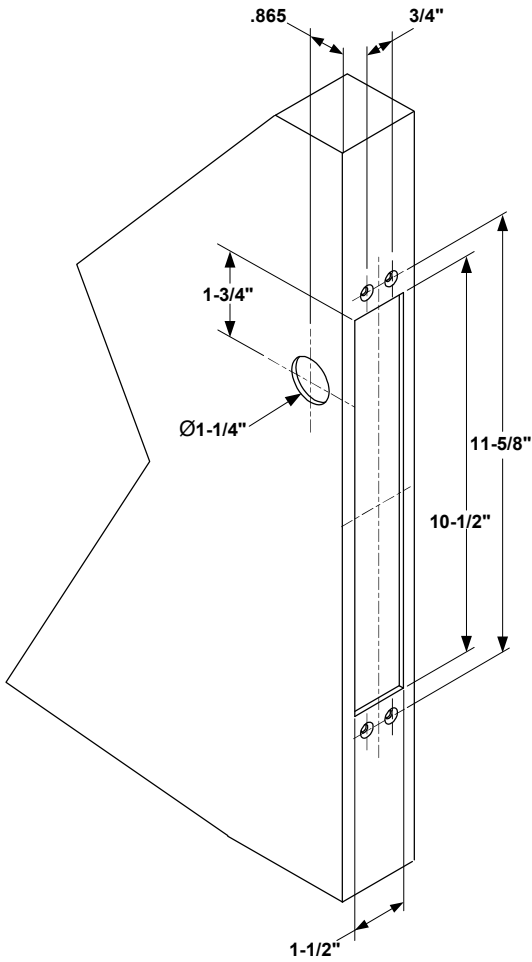
NOTE:
DIMENSIONAL REFERENCE ARE SUBJECT TO CHANGE WITHOUT NOTICE.

TECHNICAL DATA (FOR STANDARD UNIT)

FACE PLATE:	10-1/2" x 1-1/2" X 1/8"
STRIKE:	4" x 1-1/2" x 1/8"
ID REQUIREMENTS:	10-1/2" x 1-1/2" x 1-3/4"
BOLT:	5/8" DIA. STAINLESS STEEL
BOLT THROW:	3/4"
BACK SET:	.865"

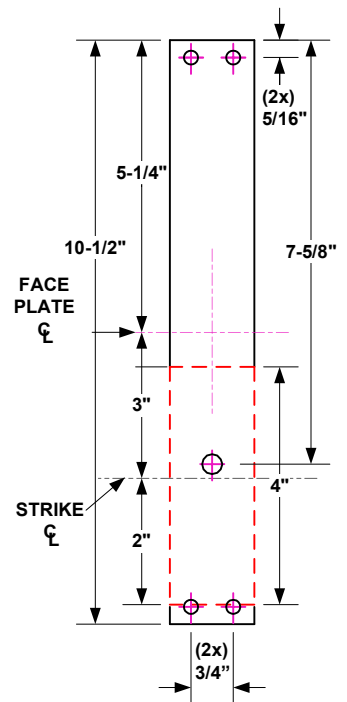
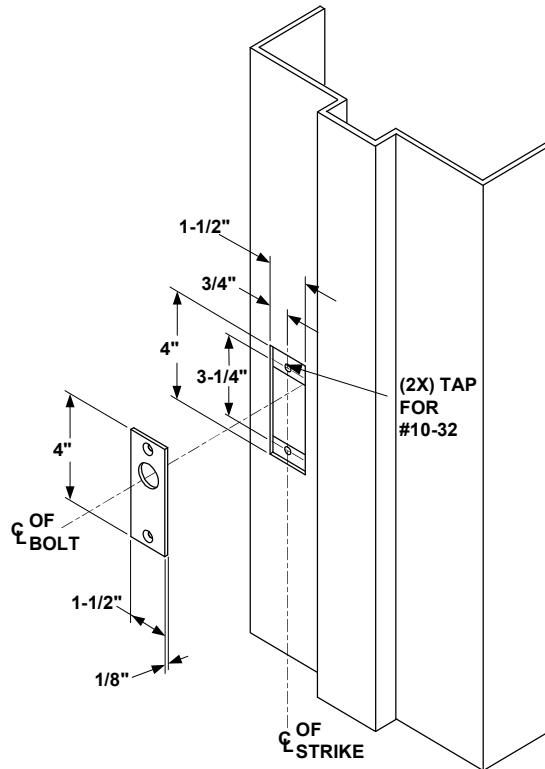


Door Mount Preparation



Use standard straight cam ILCO (863G) or equivalent.

Frame Preparation

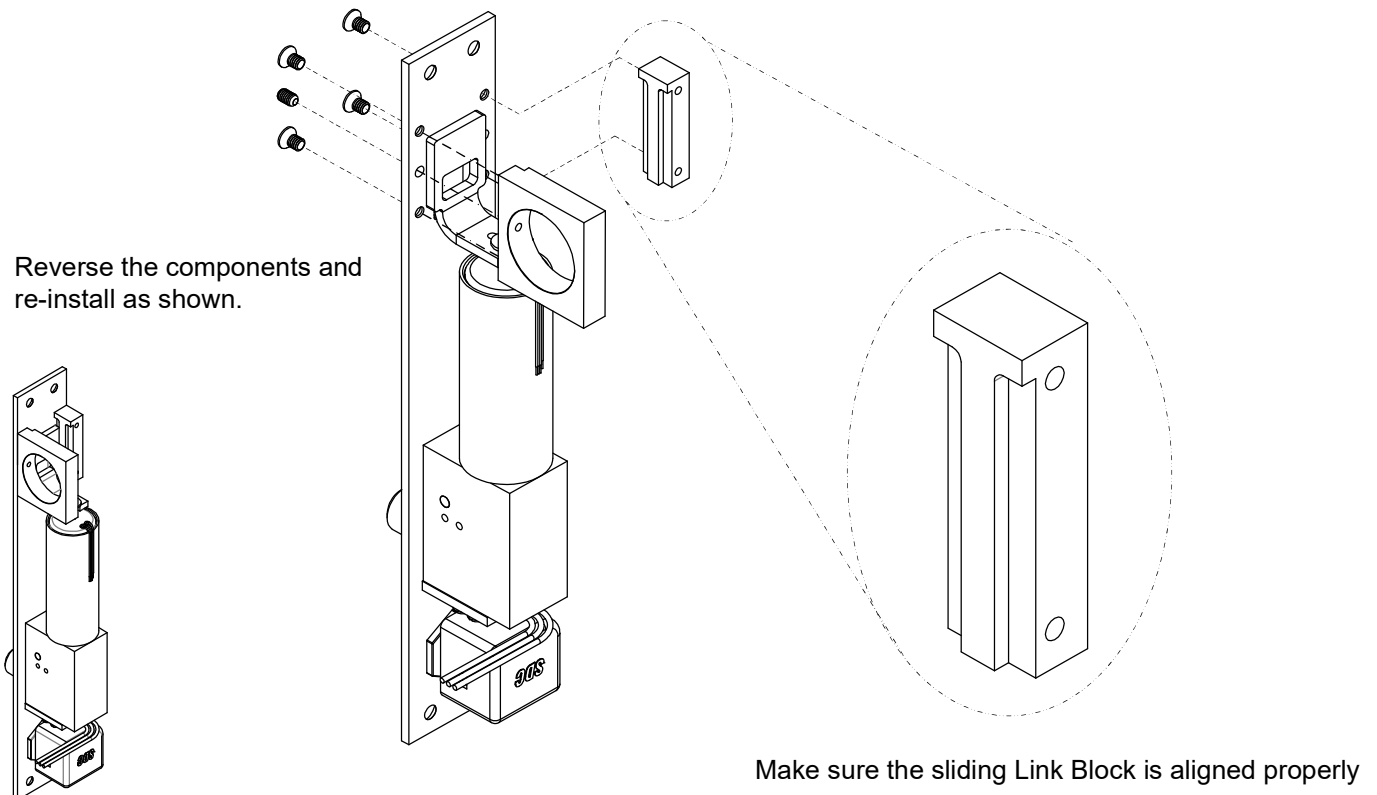
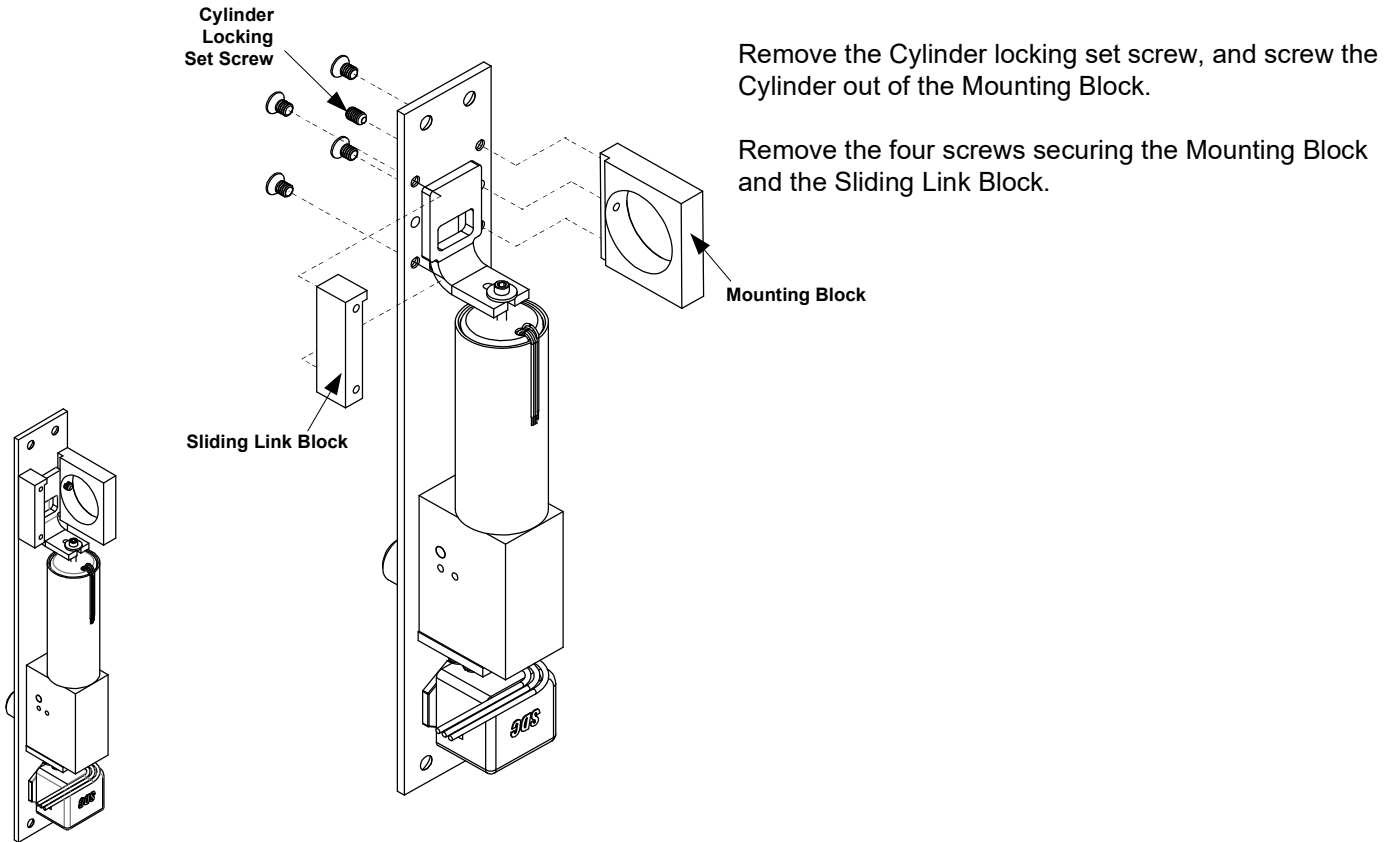


NOTE:
DIMENSIONAL REFERENCE ARE SUBJECT TO CHANGE WITHOUT NOTICE.

TECHNICAL DATA (FOR STANDARD UNIT)

FACE PLATE:	10-1/2" x 1-1/2" X 1/8"
STRIKE:	4" x 1-1/2" x 1/8"
ID REQUIREMENTS:	10-1/2" x 1-1/2" x 1-3/4"
BOLT:	5/8" DIA. STAINLESS STEEL
BOLT THROW:	3/4"
BACK SET:	.865"

INSTRUCTIONS FOR REVERSING THE CYLINDER

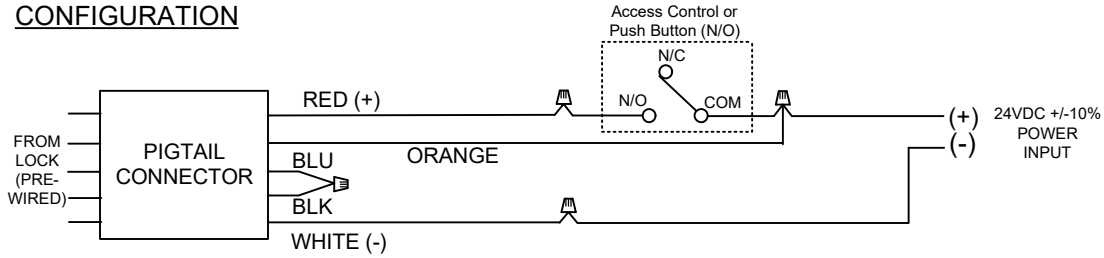




LOCK WIRING

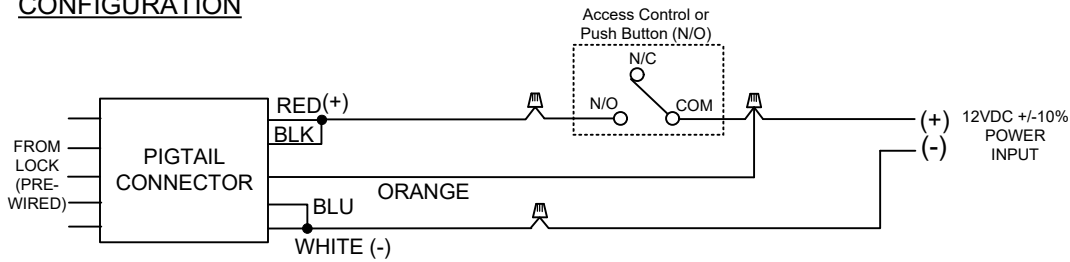
Select 24VDC OR 12VDC Configuration, and use provided pigtail connector:

24VDC SOLENOID CONFIGURATION

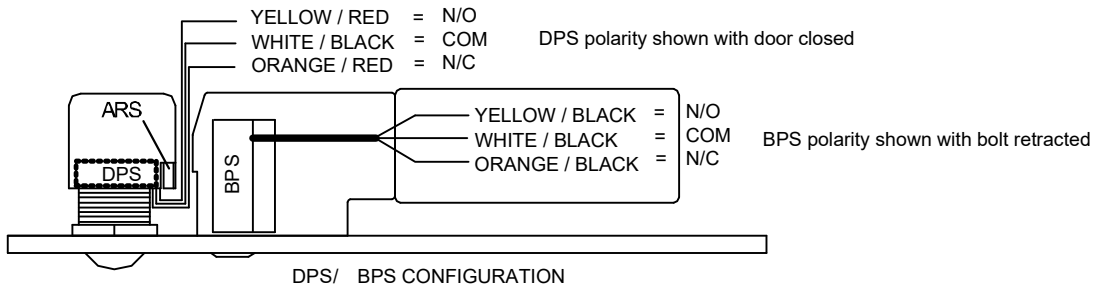


ELECTRICAL DATA:
Dual Voltage Solenoid
 12VDC @ .9 mA (max.)
 24VDC @ .45 mA (max.)
 Continuous Duty

12VDC SOLENOID CONFIGURATION



OPTIONAL BOLT POSITION SENSOR (BPS-MAGNETIC)		
B	Indicates bolt locked or unlocked	5 Watt
OPTIONAL DOOR POSITION SWITCH (DPS-MECHANICAL)		
D	Indicates door opened or closed	4A @ 30VDC (Resistive)



*When both options are ordered the Common is shared