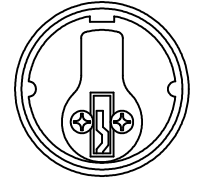
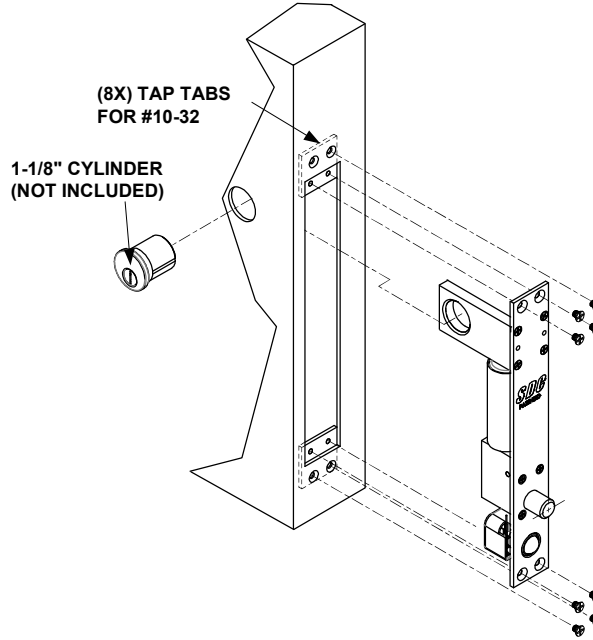
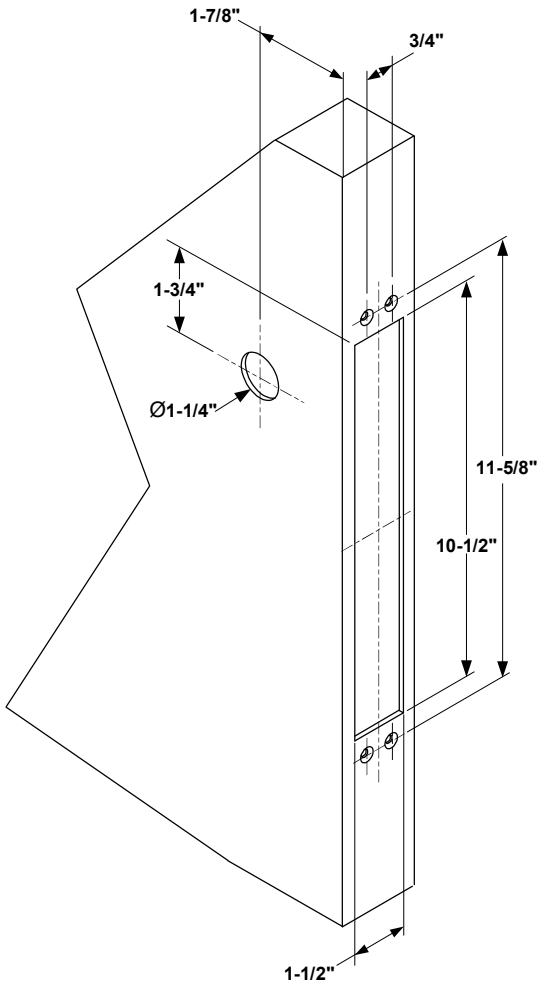




# INSTALLATION INSTRUCTIONS

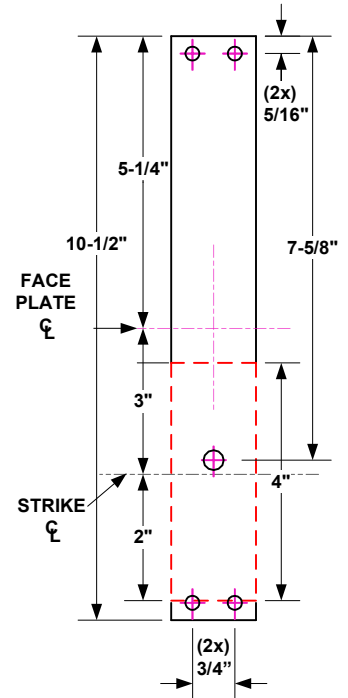
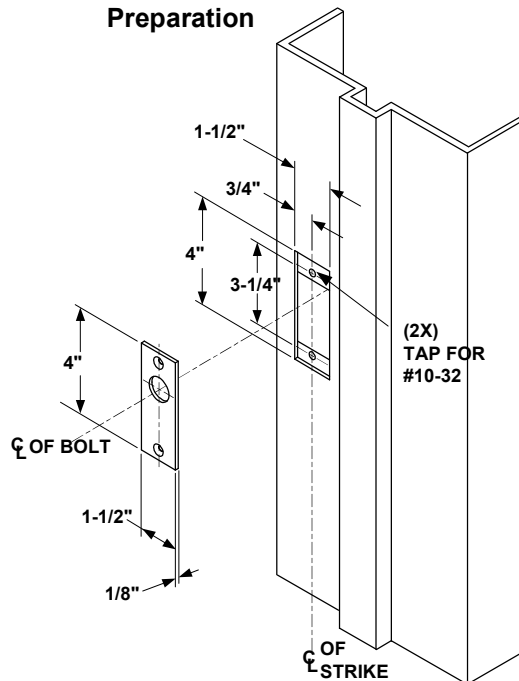
## 1291ADMR1 (1-7/8" BACKSET) CONCEALED MORTISE BOLT LOCKS with MECHANICAL RELEASE FAIL SECURE (SINGLE CYLINDER PREP)

### Door Preparation



Use standard straight cam ILCO (863G) or equivalent.

### Frame Preparation



**NOTE:**  
DIMENSIONAL REFERRENCE ARE SUBJECT TO  
CHANGE WITHOUT NOTICE.

### TECHNICAL DATA (FOR STANDARD UNIT)

<b>FACE PLATE:</b>	10-1/2" x 1-1/2" X 1/8"
<b>STRIKE:</b>	4" x 1-1/2" x 1/8"
<b>ID REQUIREMENTS:</b>	10-1/2" x 1-1/2" x 2-7/8"
<b>BOLT:</b>	5/8" DIA. STAINLESS STEEL
<b>BOLT THROW:</b>	3/4"
<b>BACK SET:</b>	1-7/8"

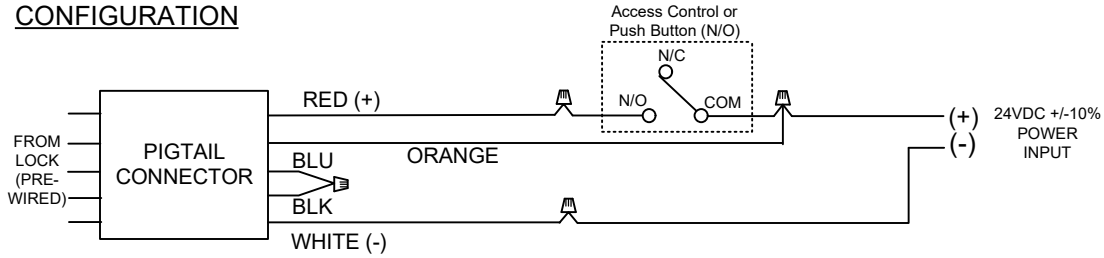
Any suggestions or comments to this instruction or product are welcome. Please contact us through our website or email [engineer@sdsecurity.com](mailto:engineer@sdsecurity.com)



# LOCK WIRING

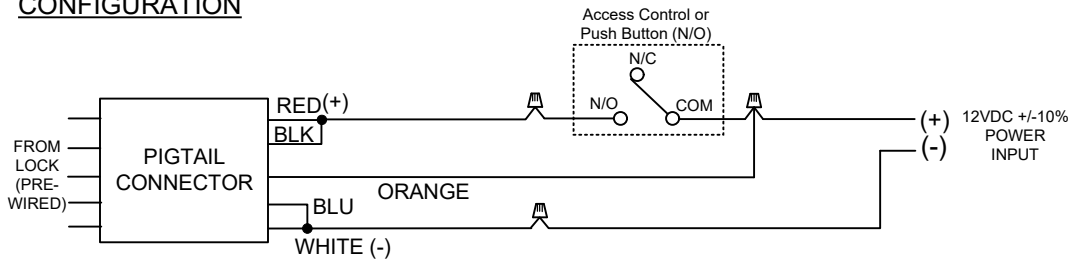
Select 24VDC OR 12VDC Configuration, and use provided pigtail connector:

## 24VDC SOLENOID CONFIGURATION

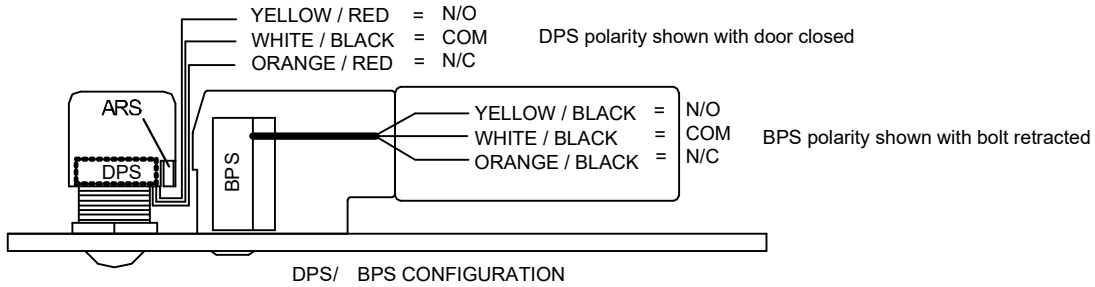


**ELECTRICAL DATA:**  
**Dual Voltage Solenoid**  
 12VDC@ .9 mA (max.)  
 24VDC@ .45 mA (max.)  
 Continuous Duty

## 12VDC SOLENOID CONFIGURATION



OPTIONAL BOLT POSITION SENSOR (BPS-MAGNETIC)		
B	Indicates bolt locked or unlocked	5 Watt
OPTIONAL DOOR POSITION SWITCH (DPS-MECHANICAL)		
D	Indicates door opened or closed	4A @ 30VDC (Resistive)



\*When both options are ordered the Common is shared