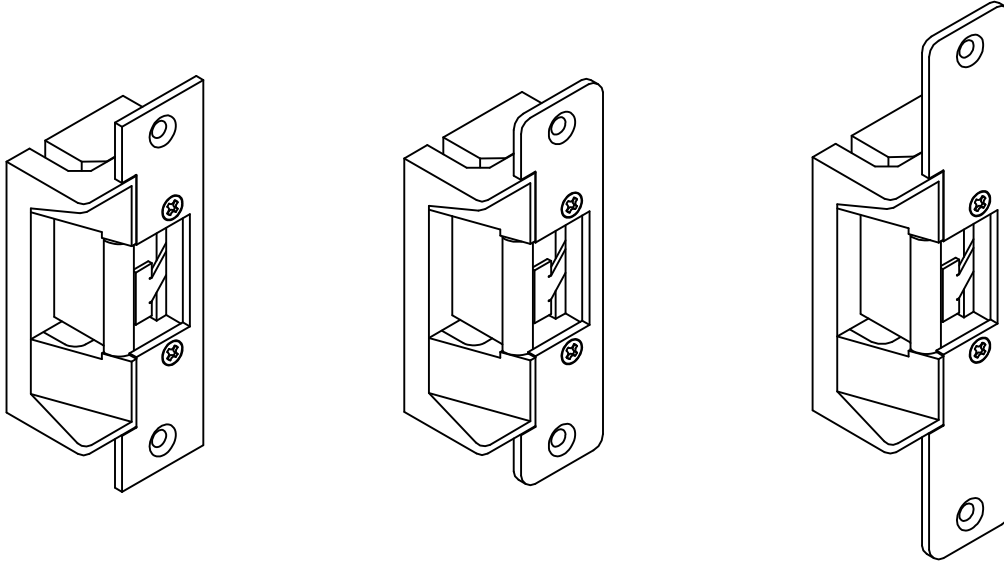




# INSTALLATION INSTRUCTIONS

## 45 SERIES ELECTRIC STRIKES



### **MODELS:**

- 45-4S – 4.875" (124mm) Square corners for hollow metal frames.
- 45-4R – 4.875" Radius corners for aluminum frame.
- 45-6R – 6.875" Radius corners for aluminum/wood frame.
- 45-7R – 7.938" Radius corners for aluminum/wood frame

### **OPERATION:**

**Fail-Secure (Power-to-Unlock):** Unlocked when energized. Locked when de-energized and during power failure.

**Application:** For non fire rated and fire rated doors (exception, may not be used on stairwell doors). May not be maintained in the unlocked (energized) state when used with fire rated doors.

### **FEATURES:**

- For 5/8" latch or 3/4" latch with 1/8" door gap.
- **Latch Bolt Monitor (Standard).**
- **Deadlocked Monitor (Standard).**
- **Keeper Monitor (Optional).**
- Field selectable fail-safe / fail-secure.
- Field selectable voltage, 12/24V AC/DC
- AC with Rectifier (BR64XL)
- 1/4" horizontal alignment adjustment.

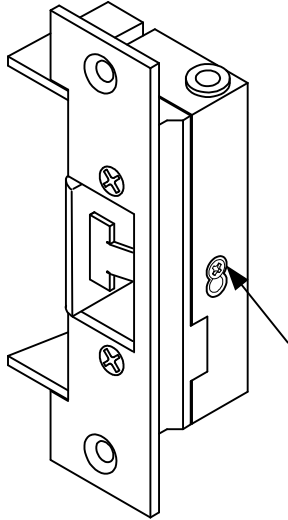
**Fail-Safe (Power-to-Lock):** Locked when energized. Unlocked when de-energized and during power failure.

**Application:** Non-Fire rated doors only.

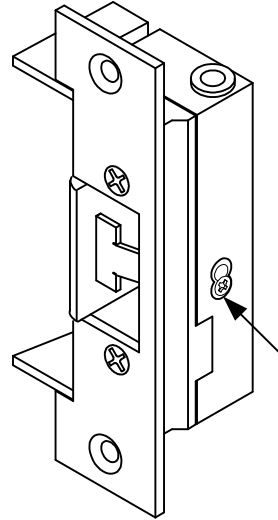
**CAUTION:** Fail-safe is **not** permitted with the UL Fire Door Accessory label.

- Plug-in wire connectors.
- Low profile, 1-3/16" deep
- All stainless steel parts with durable die cast body for corrosion resistance.
- Fewer moving parts for maximum life.
- 630 stainless steel standard.
- ANSI A156.31
- UL Listed 1034 Burglary Resistant
- U.S. Patent #7,540,542 B2

**Failsecure standard. Field adjustable from Failsecure to Failsafe as shown.**

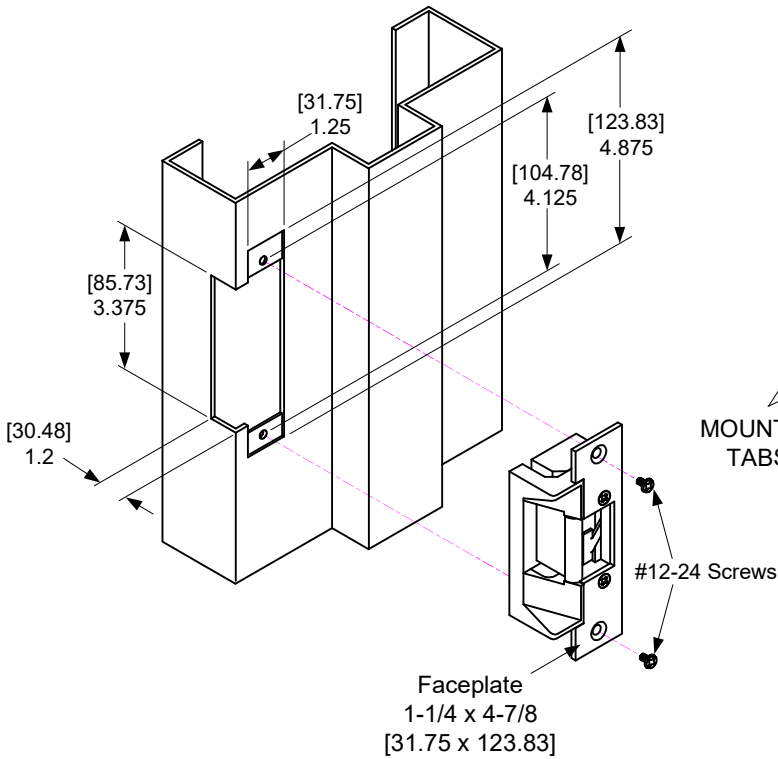


**FAIL-SECURE**  
(Standard)

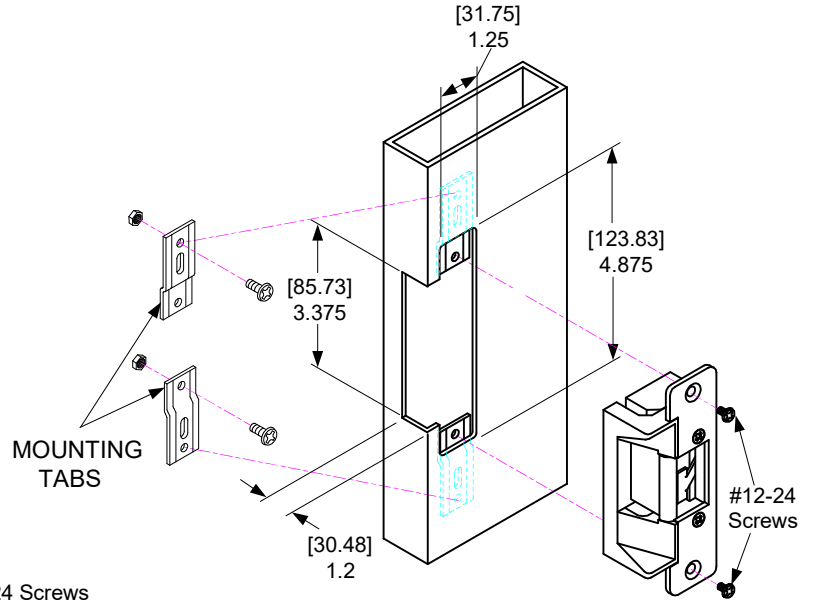


**FAIL-SAFE**  
(Field Adjustable)

**Typical Hollow Metal Frame**



**Typical Aluminum Frame**



**Monitoring Outputs:**

- **Latch Status:** Monitors position of latch.
- **Deadlocked Status:** Monitors the locked status when the keeper is closed.
- **Keeper Status:** Monitors the open/close position of keeper.

**Electrical Data:**

Dual Voltage:

- 200/100mA @ 12/24VDC
- 140/70mA @ 12/24VAC

Latch Status:

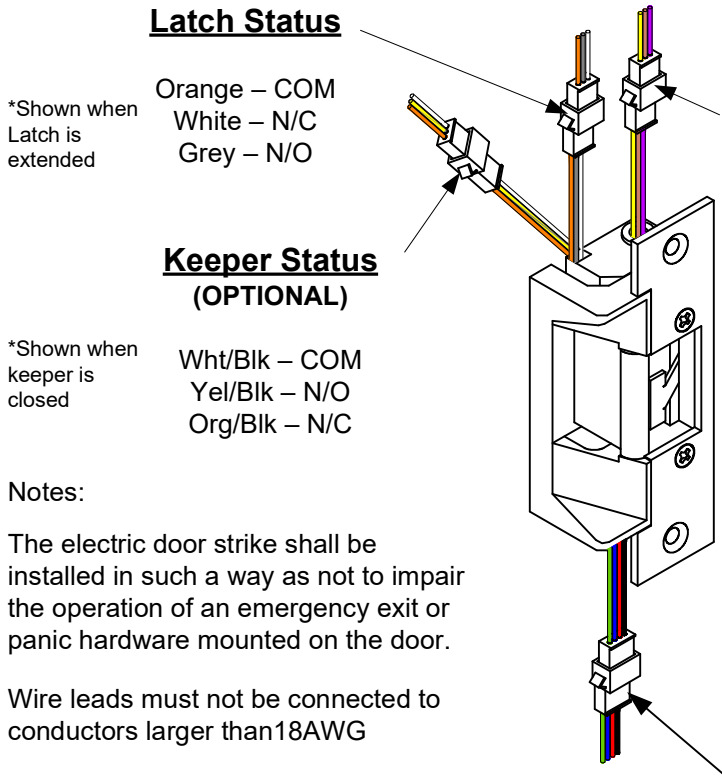
- SPDT, Dry 3A @ 30V

Deadlock Status:

- SPDT, Dry 3A @ 30V

Keeper Status:

- SPDT, Dry 3A @ 30V



**Notes:**

The electric door strike shall be installed in such a way as not to impair the operation of an emergency exit or panic hardware mounted on the door.

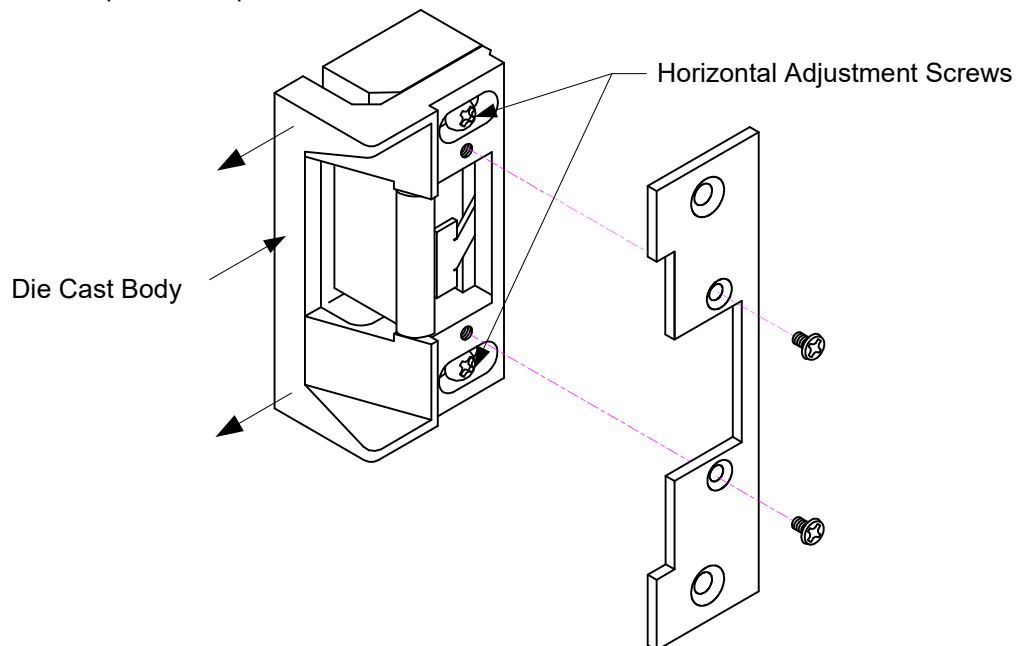
Wire leads must not be connected to conductors larger than 18AWG

\*Keeper Status is an optional monitor output

Input Power Wiring	
12VDC	24VDC
Red ——— + Black ——— Blue ——— Green ——— -	Red ——— + Black ——— Blue ——— Green ——— -

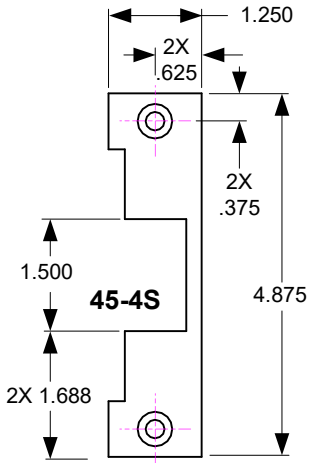
**Horizontal Adjustment**

Remove Faceplate. Loosen Horizontal Adjustment Screws and slide Die Cast Body out as needed. Refasten the Adjustment Screws and replace Faceplate.



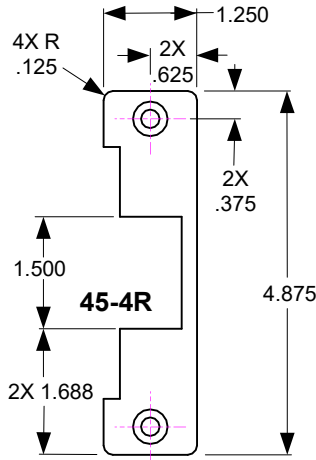


### HOLLOW METAL, SQUARE CORNER FACEPLATE



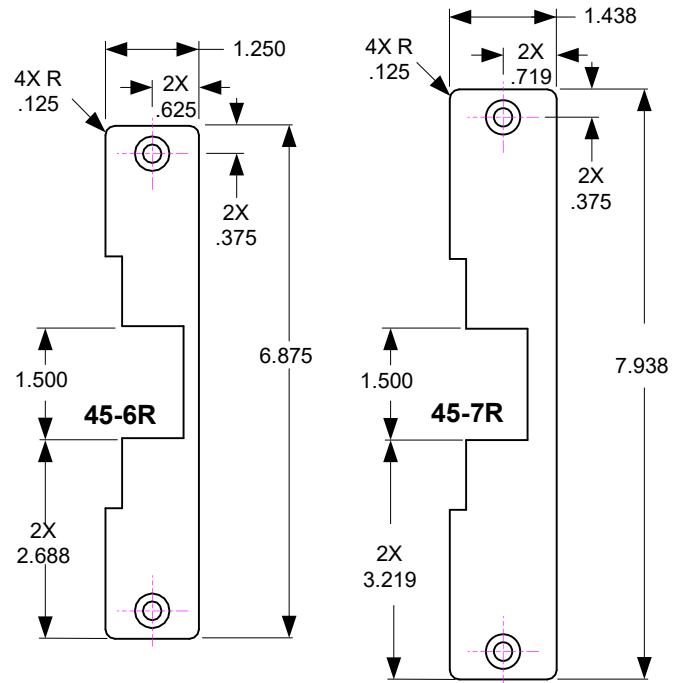
MATERIAL THICKNESS = .110

### ALUMINUM RADIUS CORNER FACEPLATE



MATERIAL THICKNESS = .110

### ALUMINUM / WOOD RADIUS CORNER FACEPLATES



MATERIAL THICKNESS = .110

### 45 SERIES ELECTRIC STRIKE FRAME PREPARATION FOR HOLLOW METAL FRAMES

