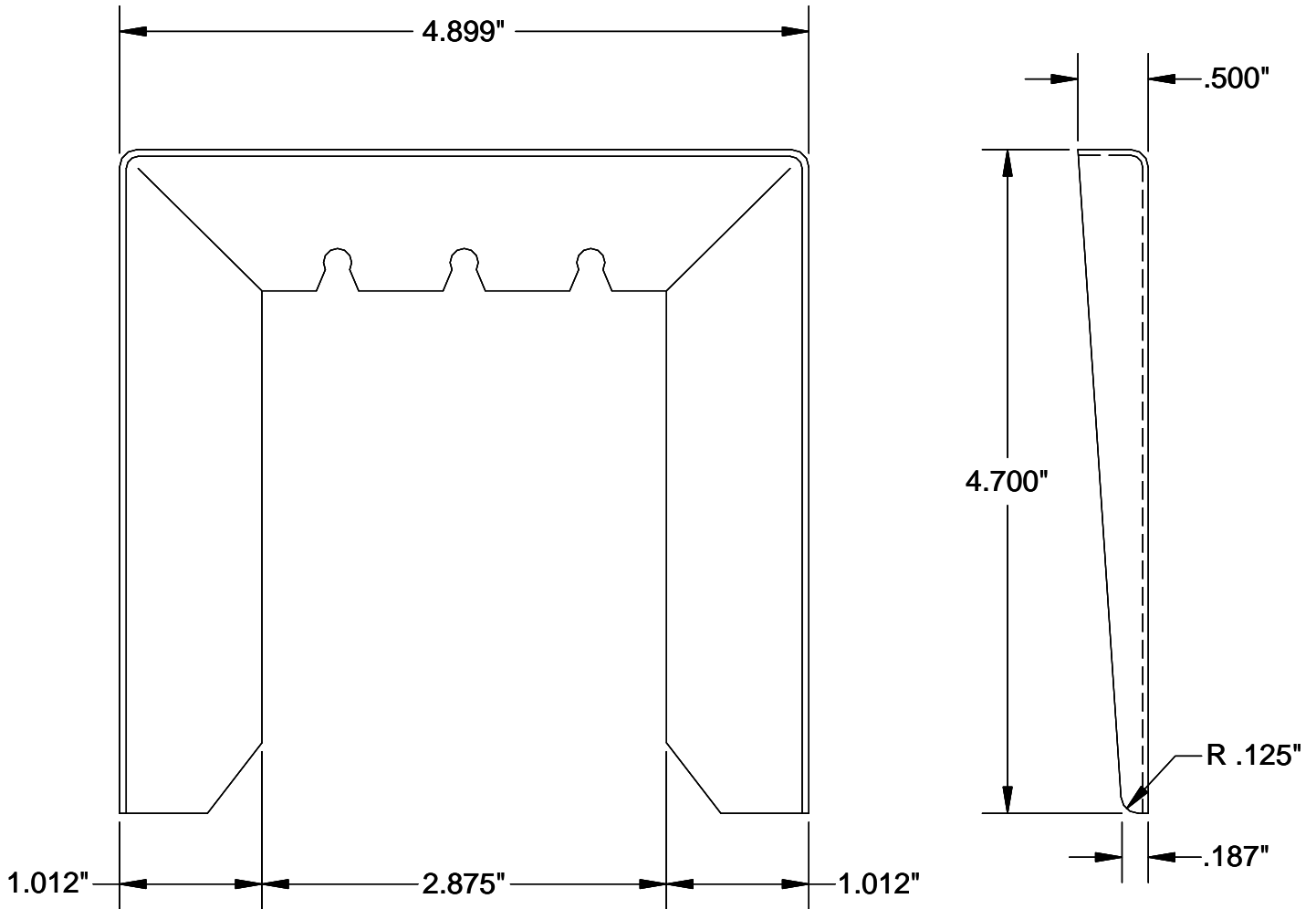




INSTALLATION INSTRUCTIONS

480-4SE MOUNTING BOX, SQUARE SWITCH 3 SIDED HOOD



The 480-4SE Mounting box is used between a 4.5" x 4.5" switch and the mounting surface to prevent water and ice infiltration in cold weather