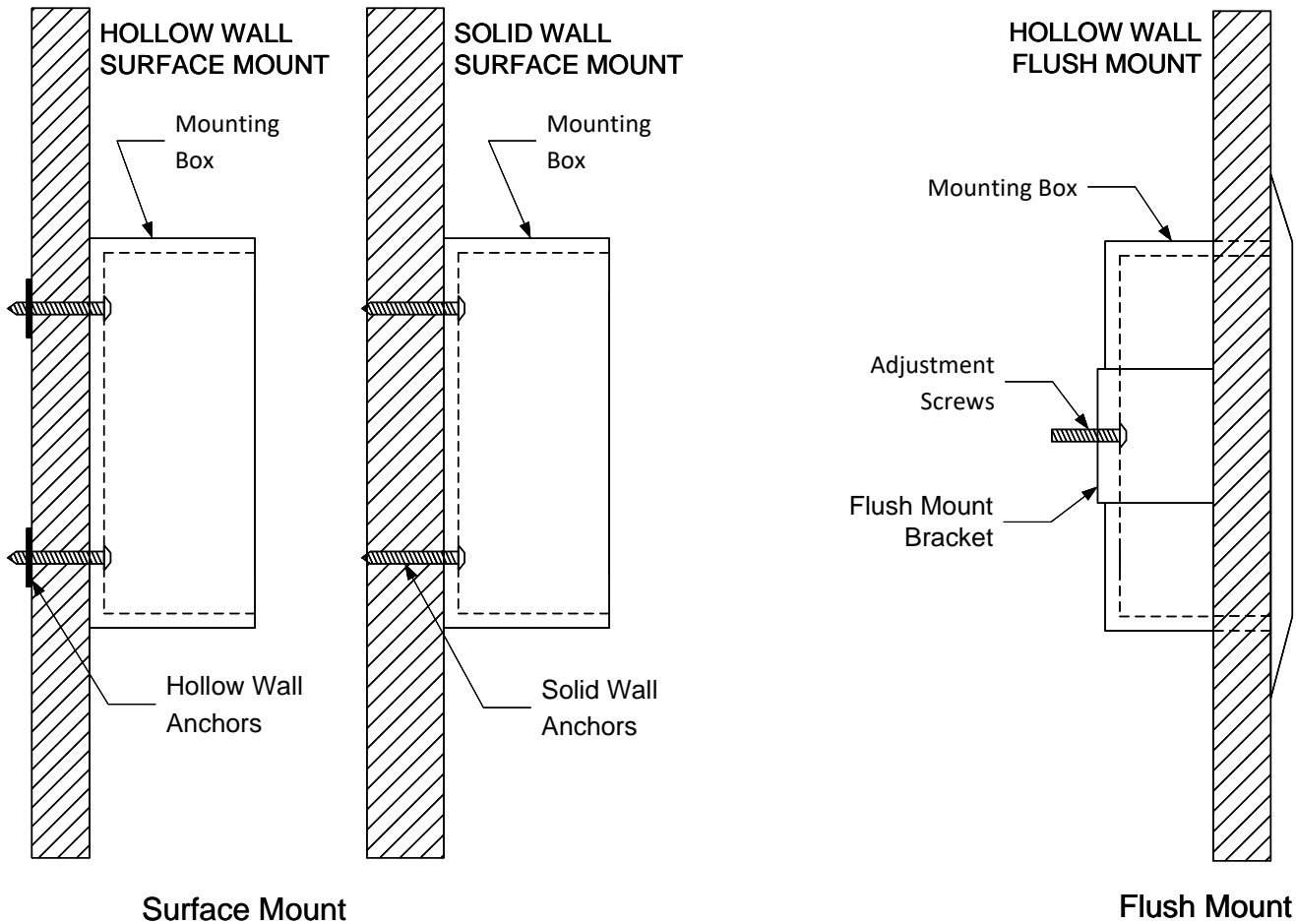


INSTALLATION INSTRUCTIONS

480-SSB & 480-SFB SQUARE SURFACE / FLUSH MOUNT BOX FOR 4-1/2" & 6" SQUARE SWITCHES

CROSS SECTIONAL VIEWS

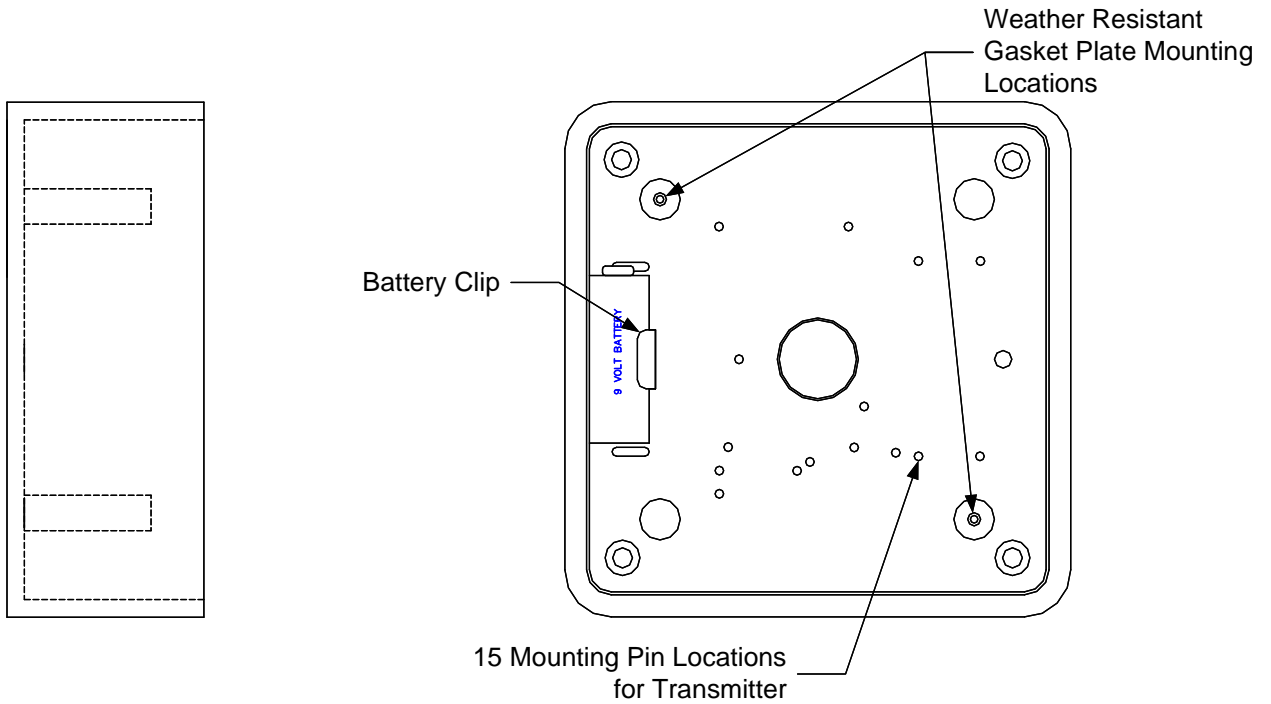


Parts included with mounting boxes: >Black ABS surface or flush mount box >Transmitter mounting pins >9V battery mounting clip >Mounting instructions >Weather resistant gasket plate

480-SSB SURFACE MOUNT: Hollow Wall or Solid Wall 1] Drill pilot holes in mounting box (placement indications are in box). 2] Drill pilot holes in mounting surface. 3] Insert appropriate fastener (screw, toggle, etc.) through box and into mounting surface; tighten. 4] Install Weather Resistant Gasket Plate using provided screws. 5] Complete installation of switch.

480-SFB FLUSH MOUNT: Hollow Wall ONLY 1] Cut 5-5/8" x 5-5/8" access hole into mounting surface. 2] Insert box into the access hole with the Flush Mount Bracket loosely mounted on box. 3] Tighten Adjustment Screws to secure Flush Mount Bracket against back surface of hollow wall. 4] Install Weather Resistant Gasket Plate using provided screws. 5] Complete assembly of the switch.

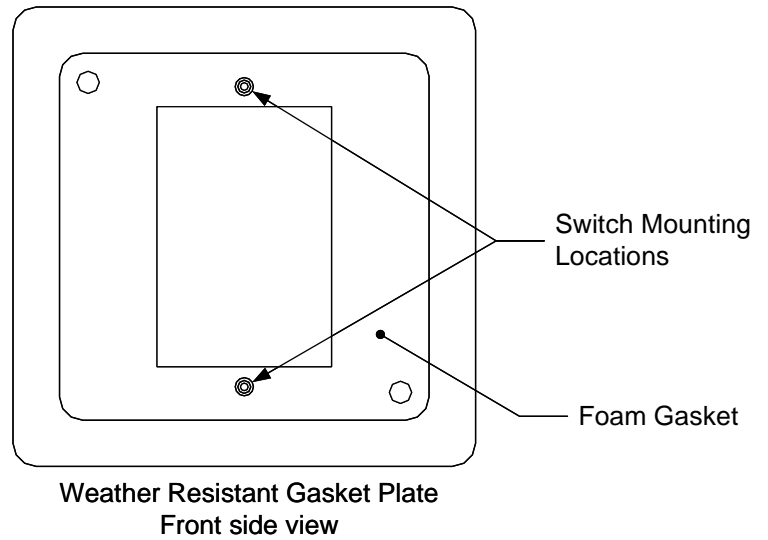
480-SSB (Surface Mount)



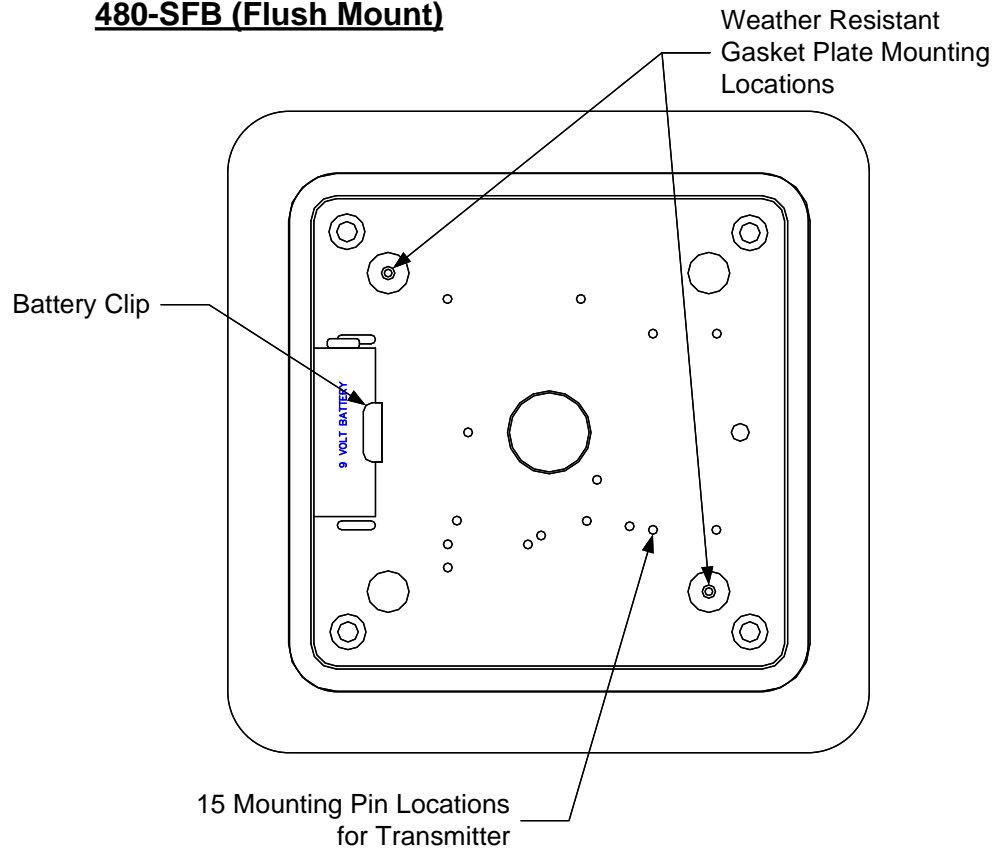
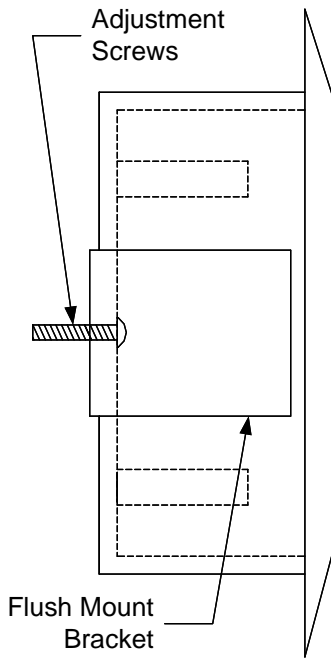
Dimensions: 5-1/2" x 5-1/2" (140mm x 55mm)
 Inside Depth: 1-7/8" (48mm)
 Used with 4-1/2" x 4-1/2" switches

- Surface mount black ABS material for wireless or hard-wired applications.
- Repositionable mounting pins for transmitter placement.
- Weather resistant gasket is included and must be used with 4-1/2" x 4-1/2" switches.

For flush mount use 480-SFB (page 3).



480-SFB (Flush Mount)



Dimensions: 6-3/4" X 6-3/4" x 2-1/8" (172mm x 172mm x 55mm)
 Inside Depth: 1-7/8" (48mm)
 Used with 4-1/2" X 4-1/2" switches

- Mounting bracket for hollow walls.
- Flush mount black ABS material for wireless or hard-wired applications; Wireless use requires RF-Transparent walls.
- Repositionable mounting pins for transmitter placement.
- Weather resistant gasket is included and must be used with 4-1/2" x 4-1/2" switches.

For surface mount use 480-SSB (page 2).

