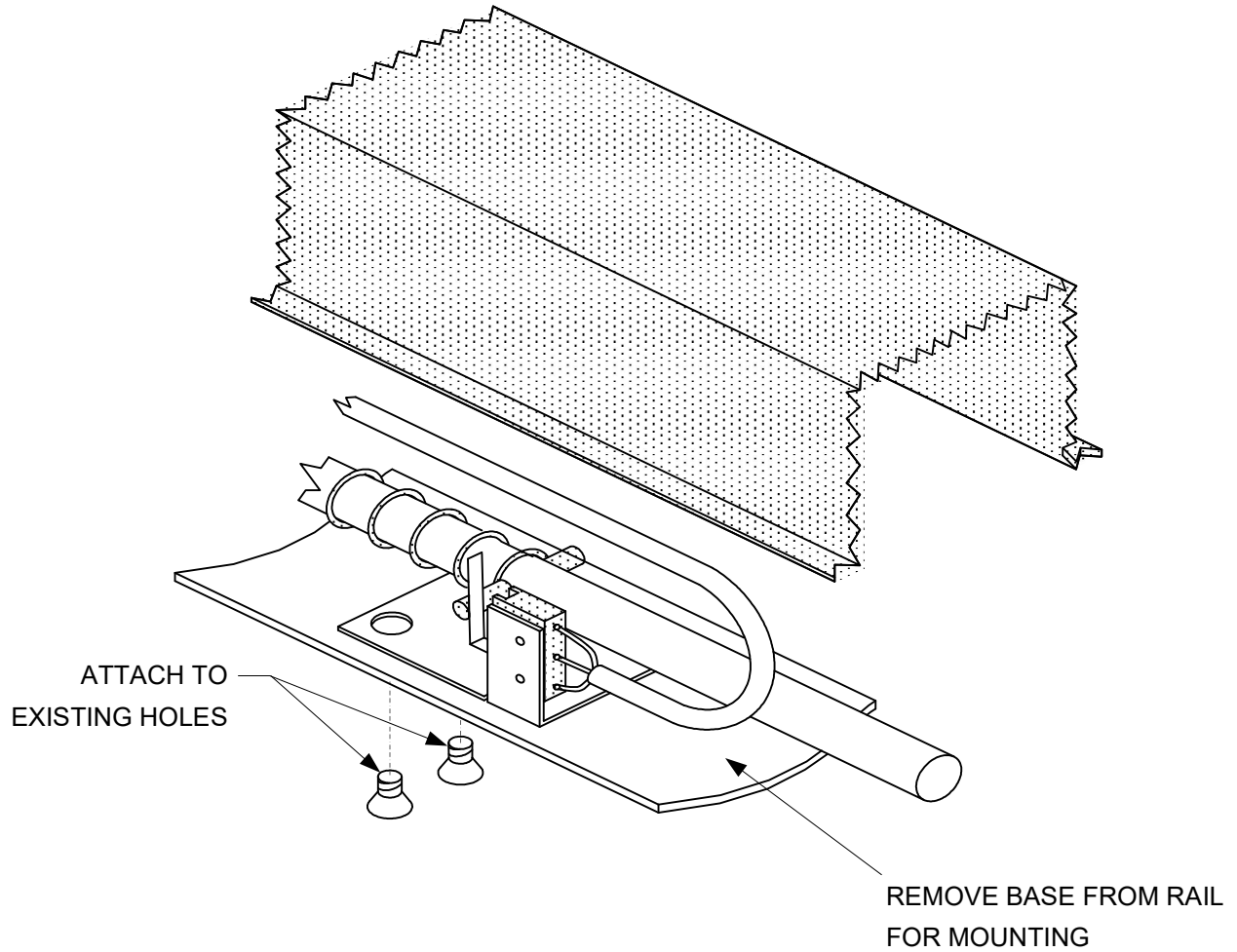




INSTALLATION INSTRUCTIONS

518 MONITORING SWITCH KIT PHI PRECISION 1100 SERIES



WIRING SPECIFICATION

COM = GRN

N/O = BLK

N/C = RED

5 AMP RESISTIVE MAX