

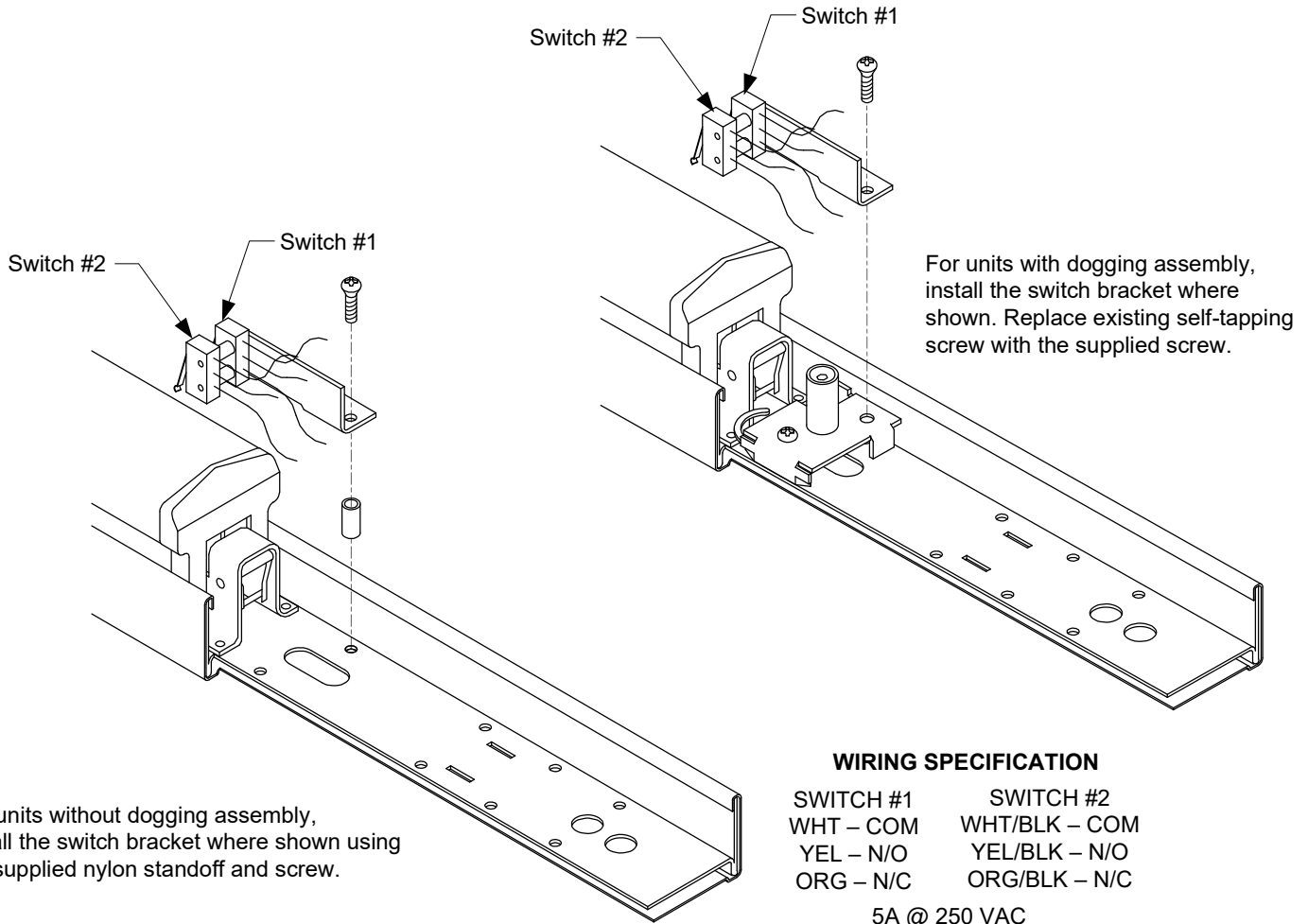


INSTALLATION INSTRUCTIONS

531-2

MONITORING SWITCH KIT

YALE 7000 SERIES & CORBIN 4000/5000 SERIES



For units without dogging assembly, install the switch bracket where shown using the supplied nylon standoff and screw.

For units with dogging assembly, install the switch bracket where shown. Replace existing self-tapping screw with the supplied screw.

WIRING SPECIFICATION

SWITCH #1	SWITCH #2
WHT – COM	WHT/BLK – COM
YEL – N/O	YEL/BLK – N/O
ORG – N/C	ORG/BLK – N/C

5A @ 250 VAC
RESISTIVE

Applications

Remote Latch Status Monitoring: Retracting the latch by depressing the push pad provides an output signal for local or remote visual and audible annunciation indicating forced entry or unauthorized egress.

Access Control REX: When connected to the Request-To-Exit input of a keypad, card or biometric Access Controller, depressing the pushpad and retracting the latch actuates the Latch Status contact, shunting the control access control alarm to permit authorized egress and/or releases the magnetic door lock for uninhibited egress.

Magnetic Lock Release: Where Access Controller with REX input is unavailable, the N/C contact of the switch is wired in series between the power supply and fail safe magnetic lock. Depressing the exit device pushpad retracts the latch, causing the contact to open, thereby releasing the magnetic lock for uninhibited egress.

Mantrap Logic: Provides N/O and N/C contacts required for 2 or more communicating doors for Interlock and Mantrap applications.