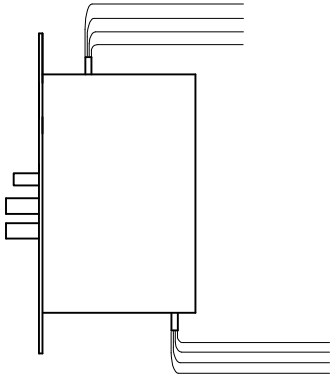




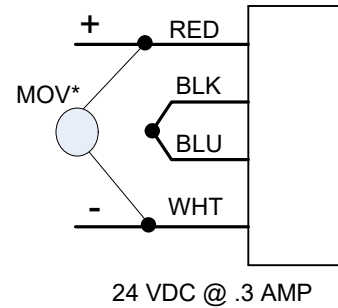
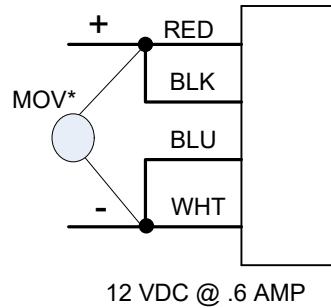
INSTALLATION INSTRUCTIONS

7800 MOD SERIES SOLENOID CONTROLLED MORTISE LOCKSET

TYPICAL WIRING



Dual Coil Solenoid

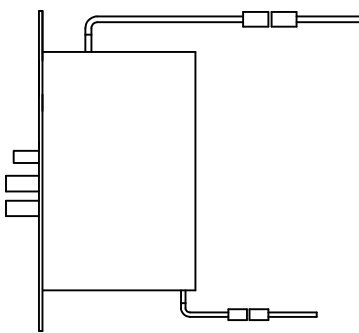


*Install MOV across coil to protect ACS electronics. Install as close as possible to the lock

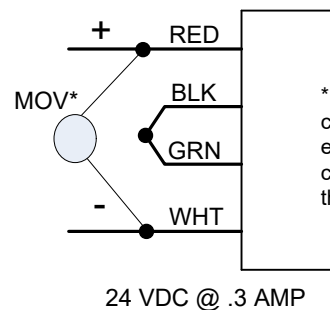
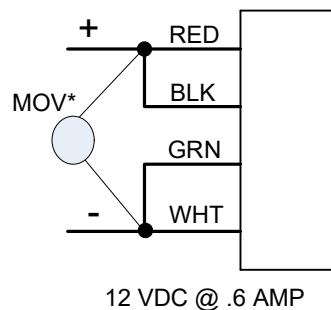
Optional Monitoring

LATCHED AND LOCKED STATUS	S	COM	←	WHT/BLK
		SECURE	←	ORG/BLK
		UNSECURE	←	YEL/BLK
DOOR POSITION STATUS	D	COM	←	WHT
		NC	←	ORG
		NO	←	YEL
REQUEST-TO-EXIT OUTPUT	R	COM	←	WHT/RED
		NC	←	ORG/RED
		NO	←	YEL/RED

WIRING WITH OPTIONAL CABLE AND CONNECTOR



Dual Coil Solenoid



*Install MOV across coil to protect ACS electronics. Install as close as possible to the lock

Optional Monitoring

LATCHED AND LOCKED STATUS	S	COM	←	ORG
		SECURE	←	BRN
		UNSECURE	←	YEL
DOOR POSITION STATUS	D	COM	←	RED/YEL
		NC	←	RED/BLU
		NO	←	RED/GRN
REQUEST-TO-EXIT OUTPUT	R	COM	←	VIO
		NC	←	GRY
		NO	←	PNK

Any suggestions or comments to this instruction or product are welcome. Please contact us through our website or email engineer@sdsecurity.com