



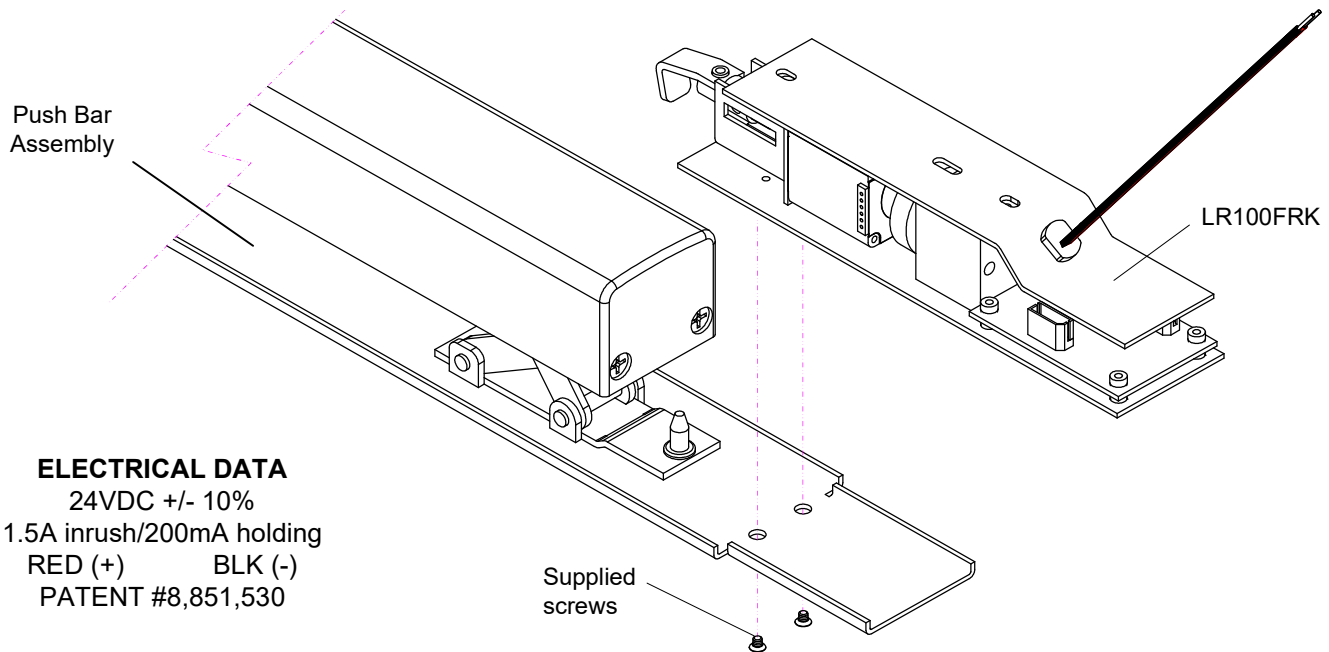
INSTALLATION INSTRUCTIONS

LR100FRK

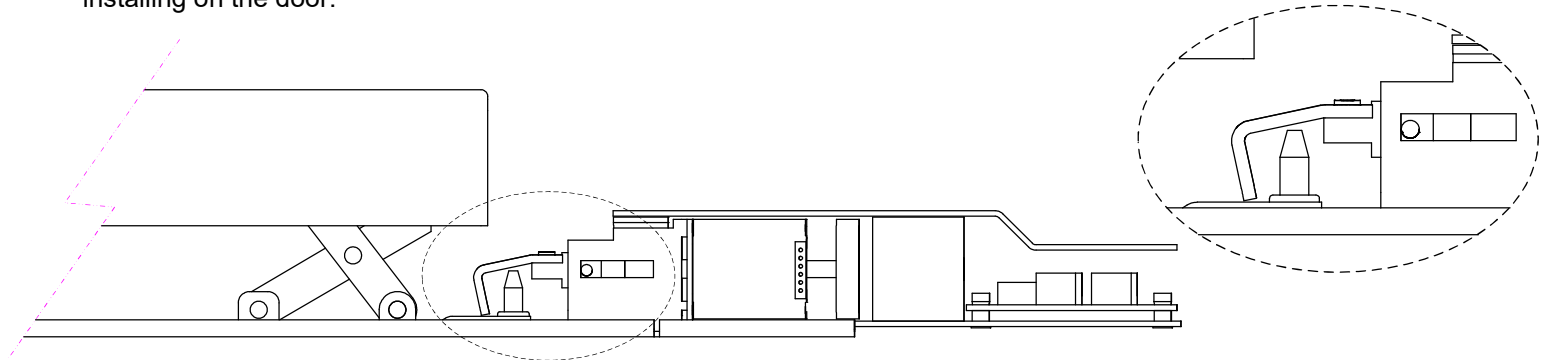
FALCON IR ELECTRIC LATCH RETRACTION KIT MODELS: 24-R, 24-V, 24-C, F-24-R, F-24-V, F-24-C, 25-R, 25-V, 25-C, F-25-R, F-25-V & F-25-C

Retrofit Installation Note: 42" or 48" exit devices that have been modified to fit a 36" or smaller opening, may not have the required space to fit the standard E. L. R. assembly. Always verify the distance from the end of the touchpad to the end rail, and if necessary, consult with the factory for appropriate selection.

Remove the Falcon IR Exit Device from the door, detach the head and slide the Push Bar assembly from the extrusion (Remove any pre-existing dogging). Fasten the LR100FRK ELR unit to the Push Bar Assembly using the pre-existing holes located on the base. Use the supplied screws that come with kit to secure to base.



Make sure the linkage at the end of the ELR unit engages the shaft on the Exit Device as shown. Carefully slide the Push Bar Assembly with attached ELR unit back into the extrusion and re-attach the head. Test the unit before re-installing on the door.



When retrofitting to existing vertical rod devices, adjustment of the rods are required for proper assembly of the LR100FRK Kit. Please see the SDC website (www.sdsecurity.com) for installation tips and photographs of installing.