



INSTALLATION INSTRUCTIONS

LR100PAK

ELECTRIC LATCH RETRACTION DEVICE KIT

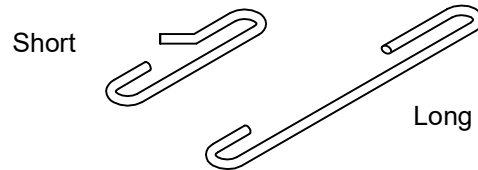
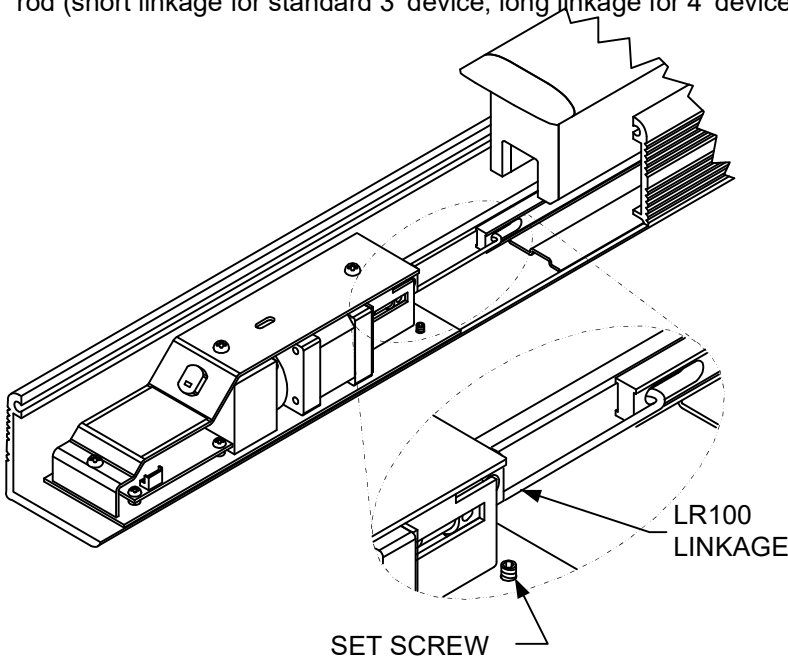
PAMEX MODELS: EF9000, EF9000V, EF9020V, EF9000V/LBR37 & EF9020V/LBR37

NOTE Retro-Fitting Vertical Rod Devices:

Before retro-fitting an electric latch assembly into a vertical device, the following must be done to ensure proper alignment. Disconnect the vertical rods from the device. Install the electric latch assembly as shown above. Once the ELR is properly installed energize it so that the push pad is dogged down, by doing so it will allow for proper alignment for the vertical rods. Finally reconnect the vertical rods to the device and make the proper adjustments.

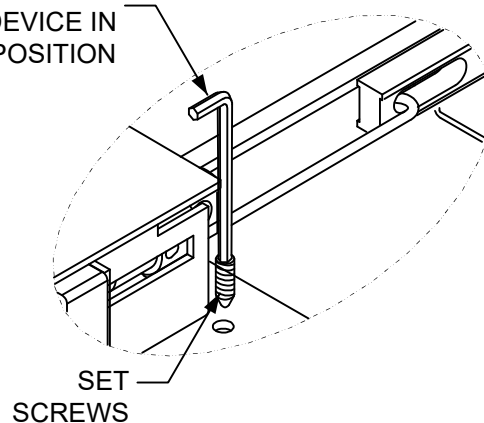
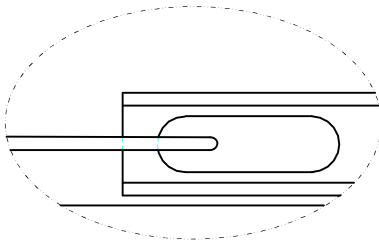
Remove end cap and housing cover plate. Remove and discard all dogging components. Slide the Electric Latch Retraction assembly into device and attach the linkage to the latch retraction rod (short linkage for standard 3' device, long linkage for 4' device).

ELECTRICAL DATA
24VDC +/- 10%
1.5A Inrush / 200mA holding
RED (+) BLK (-)
PATENT #8,851,530



Slide the assembly back until the linkage JUST makes contact with the latch retraction rod. Tighten set screws. Replace cover plate and end cap.

TIGHTEN SET SCREWS TO LOCK DEVICE IN POSITION



Retrofit Installation Note: 42" or 48" exit devices that have been modified to fit a 36" or smaller opening, may not have the required space to fit the standard E. L. R. assembly. Always verify the distance from the end of the touchpad to the end rail, and if necessary, consult with the factory for appropriate selection.

Any suggestions or comments to this instruction or product are welcome. Please contact us through our website or email engineer@sdsecurity.com