

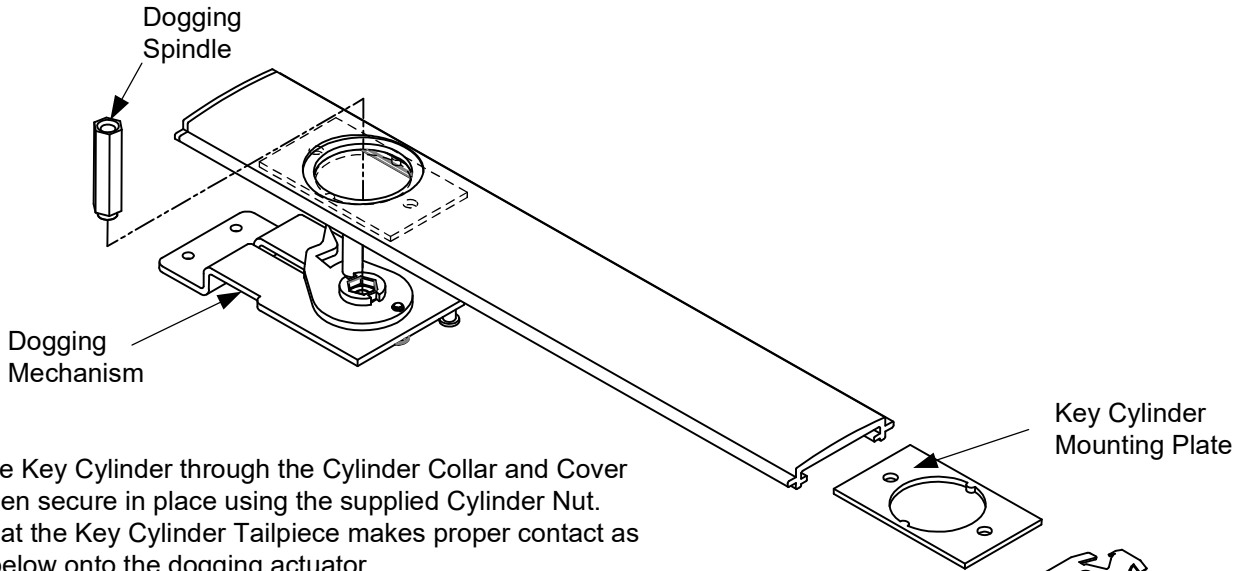


# INSTALLATION INSTRUCTIONS

## S6000CD CYLINDER DOGGING KIT

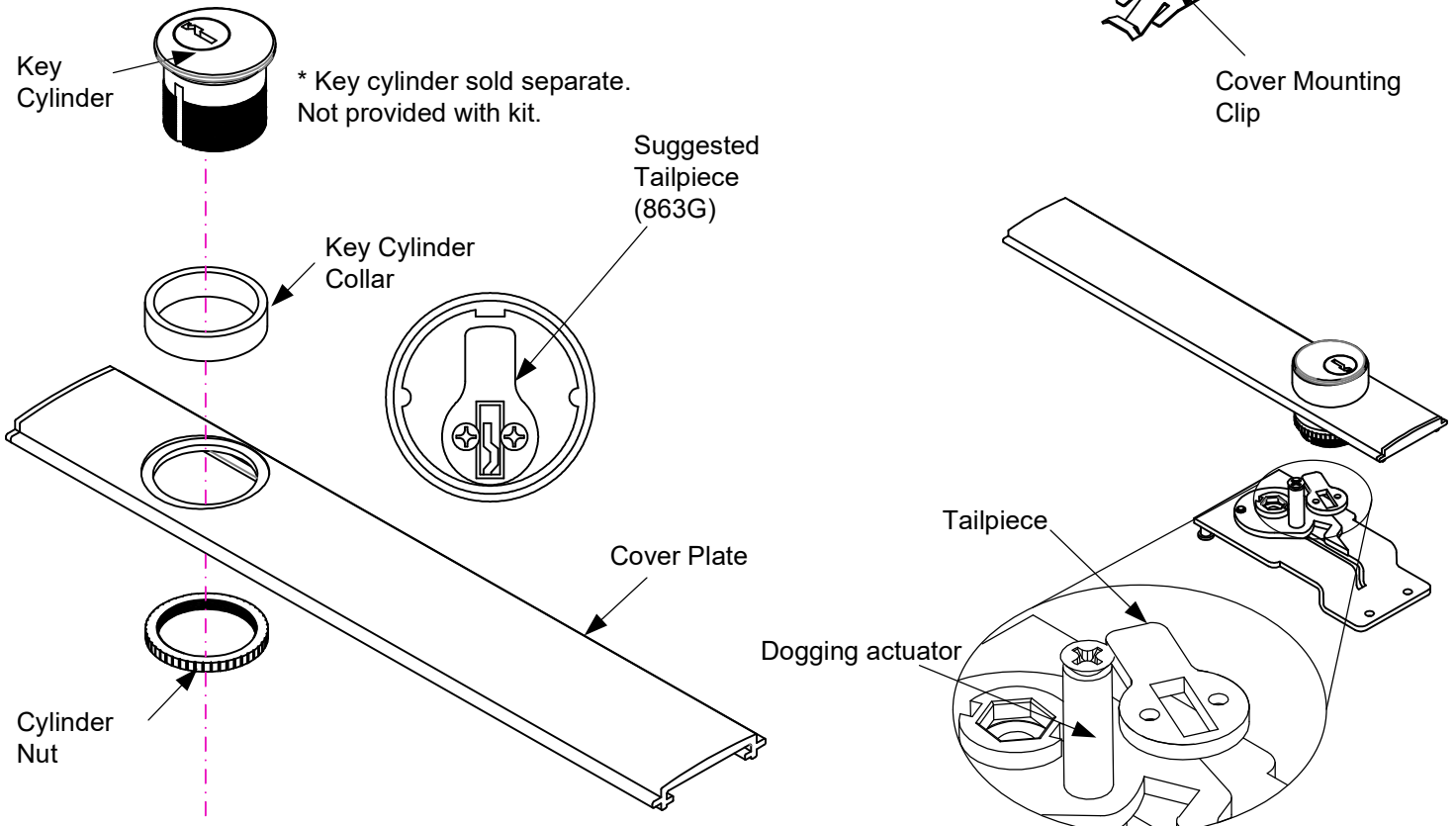
### Step 1

Remove the Dogging Spindle and discard from Dogging Mechanism. Replace the existing mechanism within exit device with the one packaged with kit. Remove and retain the Cover Mounting Clip from cover. Insert the Key Cylinder Mounting Plate and re-insert the Cover Mounting Clip.



### Step 2

Insert the Key Cylinder through the Cylinder Collar and Cover Plate, then secure in place using the supplied Cylinder Nut. Verify that the Key Cylinder Tailpiece makes proper contact as shown below onto the dogging actuator.



Any suggestions or comments to this instruction or product are welcome. Please contact us through our website or email [engineer@sdsecurity.com](mailto:engineer@sdsecurity.com)