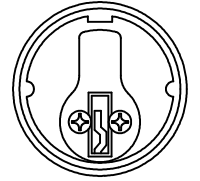
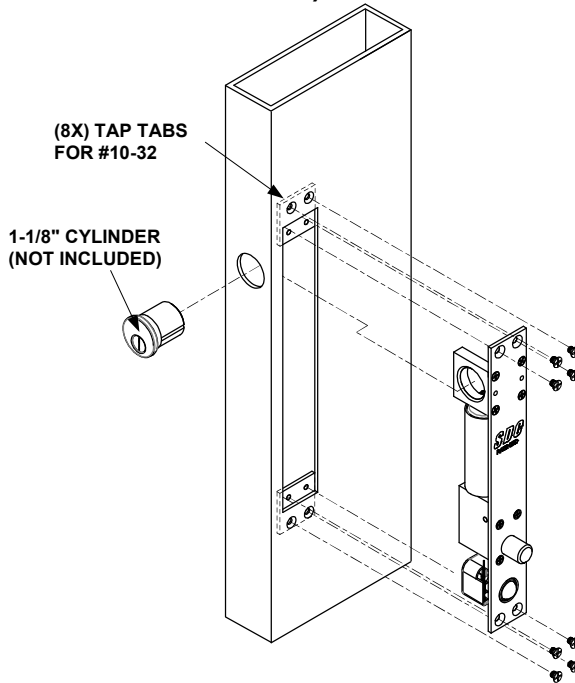
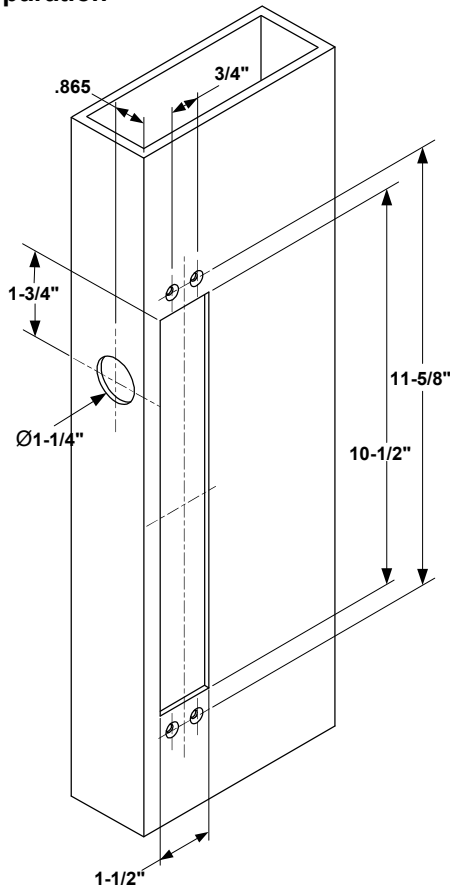




INSTALLATION INSTRUCTIONS

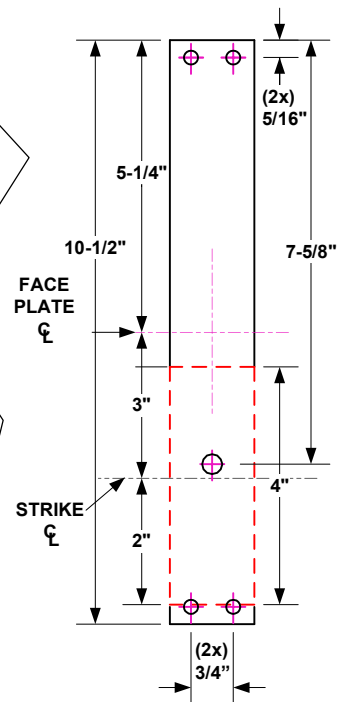
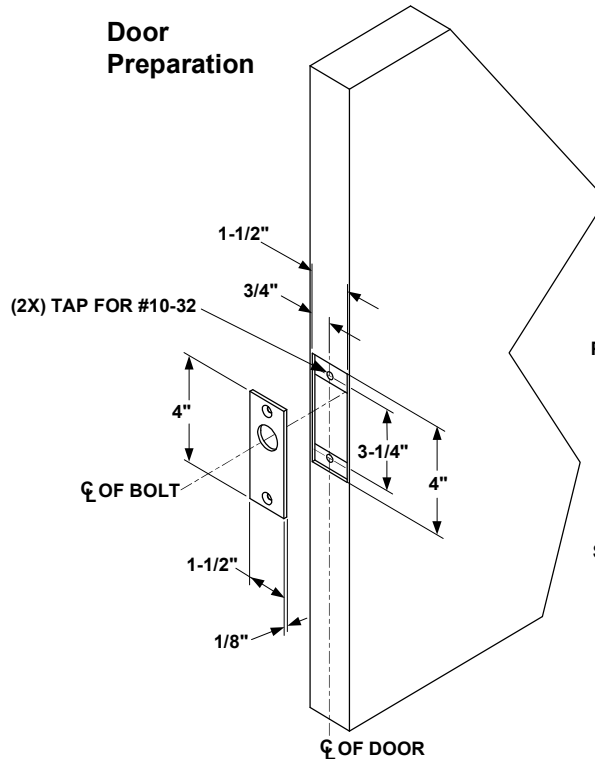
1091ADMR (.865" BACKSET) CONCEALED MORTISE BOLT LOCK with MECHANICAL RELEASE FAIL-SAFE (SINGLE CYLINDER PREP)

Aluminum Frame Preparation



Use standard straight cam ILCO (863G) or equivalent.

Door Preparation



NOTE:
DIMENSIONAL REFERENCE ARE SUBJECT TO
CHANGE WITHOUT NOTICE.

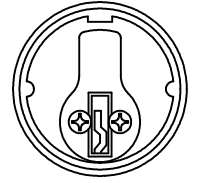
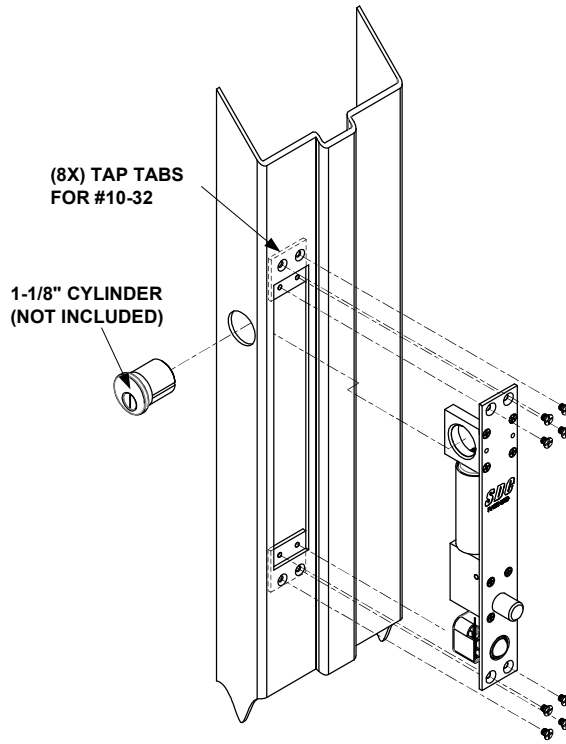
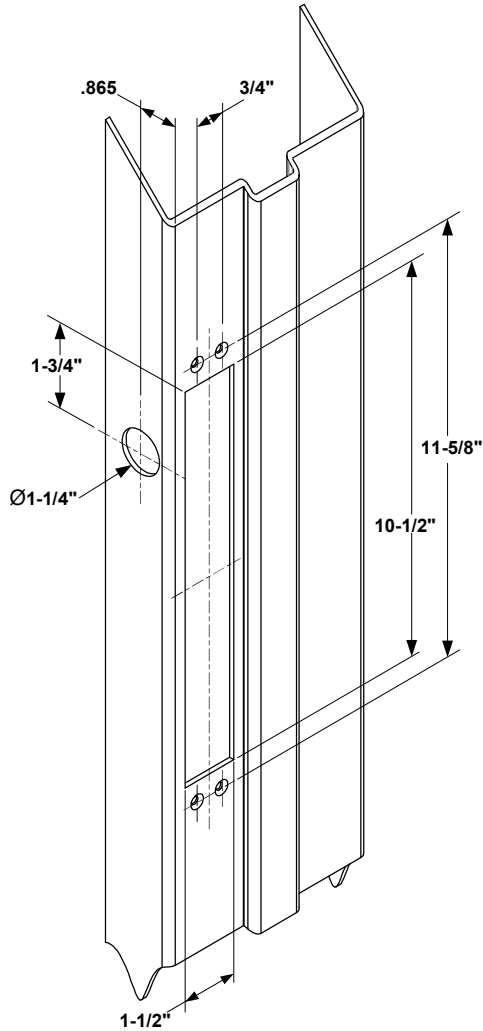
TECHNICAL DATA (FOR STANDARD UNIT)

FACE PLATE:	10-1/2" x 1-1/2" X 1/8"
STRIKE:	4" x 1-1/2" x 1/8"
ID REQUIREMENTS:	10-1/2" x 1-1/2" x 1-3/4"
BOLT:	5/8" DIA. STAINLESS STEEL
BOLT THROW:	3/4"
BACK SET:	.865"

Any suggestions or comments to this instruction or product are welcome. Please contact us through our website or email engineer@sdsecurity.com

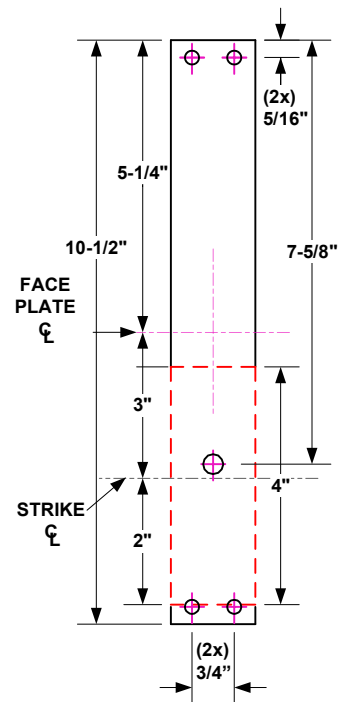
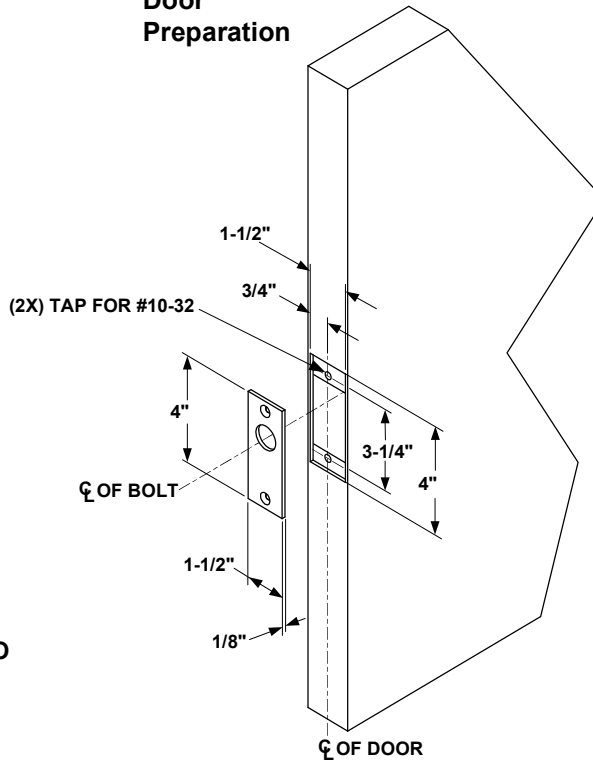


Hollow Metal Frame Preparation



Use standard straight cam ILCO (863G) or equivalent.

Door Preparation



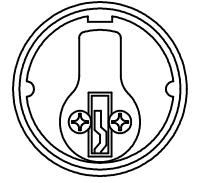
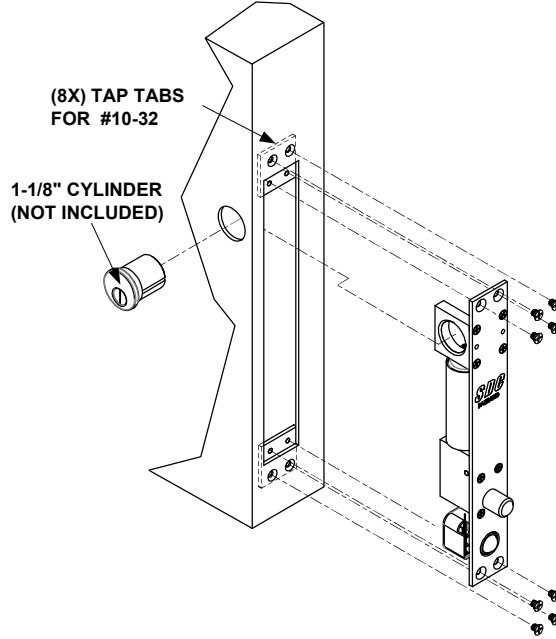
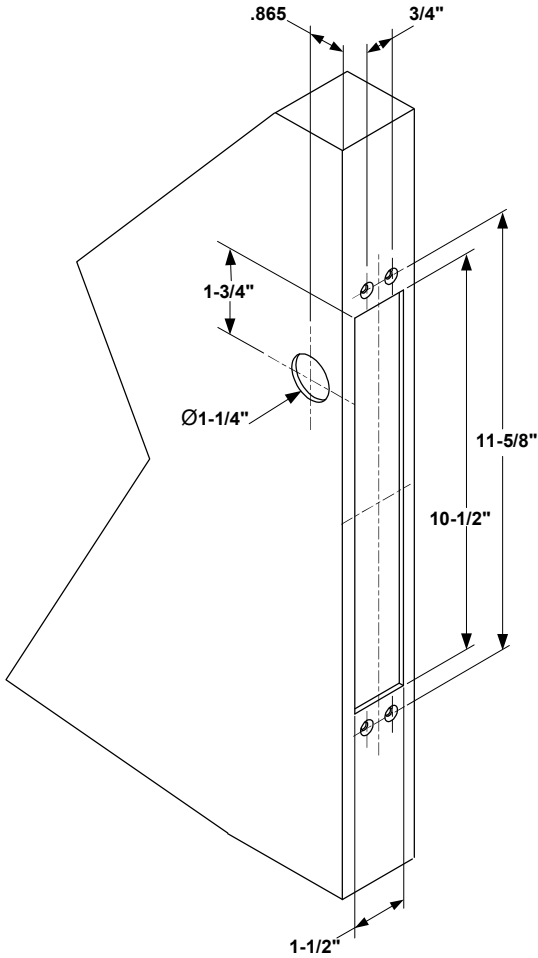
NOTE:
DIMENSIONAL REFERENCE ARE SUBJECT TO CHANGE WITHOUT NOTICE.

TECHNICAL DATA (FOR STANDARD UNIT)

FACE PLATE:	10-1/2" x 1-1/2" X 1/8"
STRIKE:	4" x 1-1/2" x 1/8"
ID REQUIREMENTS:	10-1/2" x 1-1/2" x 1-3/4"
BOLT:	5/8" DIA. STAINLESS STEEL
BOLT THROW:	3/4"
BACK SET:	.865"

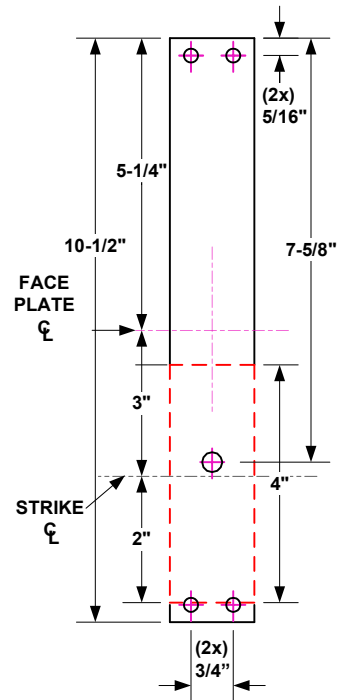
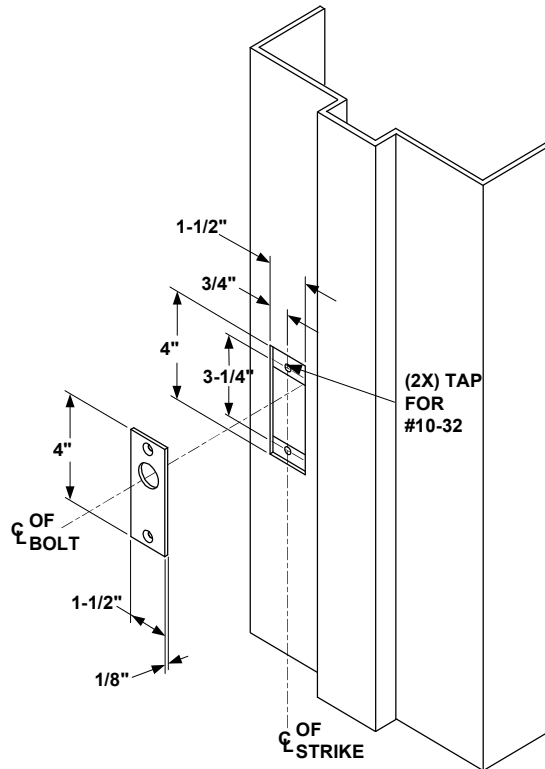


Door Preparation



Use standard straight cam ILCO (863G) or equivalent.

Frame Preparation



NOTE: DIMENSIONAL REFERENCE ARE SUBJECT TO CHANGE WITHOUT NOTICE.

TECHNICAL DATA (FOR STANDARD UNIT)

FACE PLATE:	10-1/2" x 1-1/2" X 1/8"
STRIKE:	4" x 1-1/2" x 1/8"
ID REQUIREMENTS:	10-1/2" x 1-1/2" x 1-3/4"
BOLT:	5/8" DIA. STAINLESS STEEL
BOLT THROW:	3/4"
BACK SET:	.865"

INSTRUCTIONS FOR REVERSING THE CYLINDER

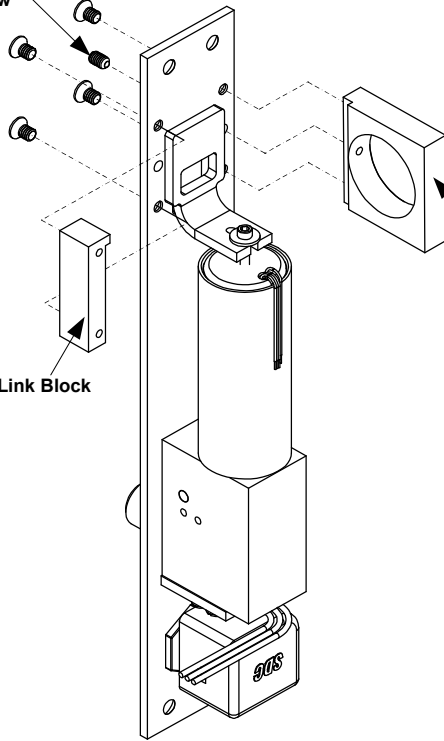
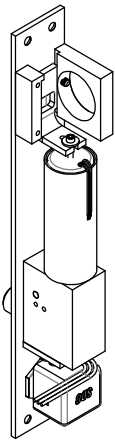
Cylinder Locking Set Screw

Remove the Cylinder locking set screw, and screw the Cylinder out of the Mounting Block.

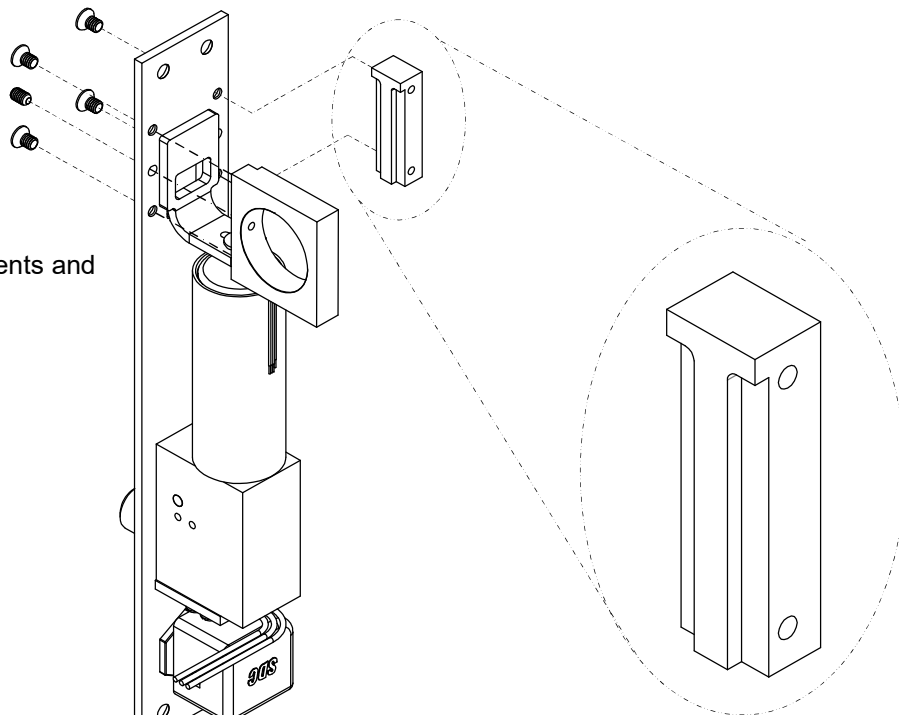
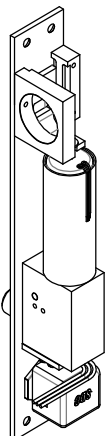
Remove the four screws securing the Mounting Block and the Sliding Link Block.

Mounting Block

Sliding Link Block



Reverse the components and re-install as shown.



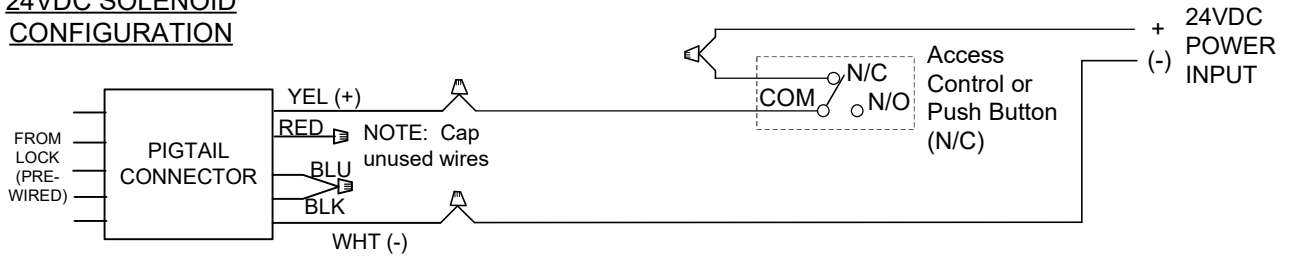
Make sure the sliding Link Block is aligned properly



LOCK WIRING

Select 24VDC OR 12VDC Configuration, and use provided pigtail connector:

24VDC SOLENOID CONFIGURATION



ELECTRICAL DATA:

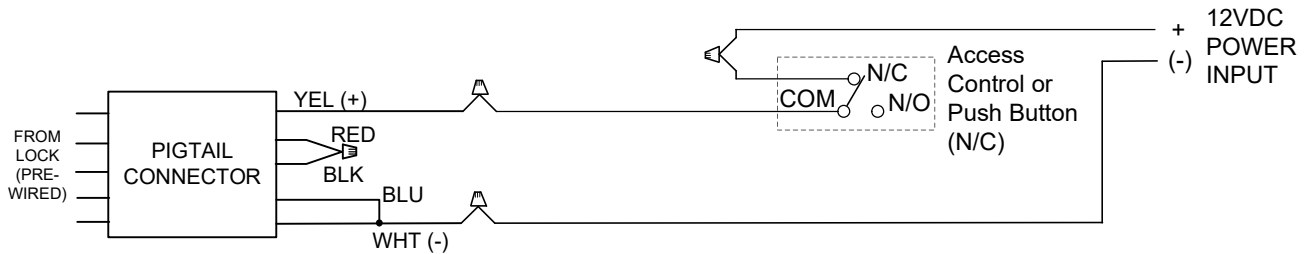
Dual Voltage Solenoid

12VDC @ .9 mA (max.)

24VDC @ .45 mA (max.)

Continuous Duty

12VDC SOLENOID CONFIGURATION

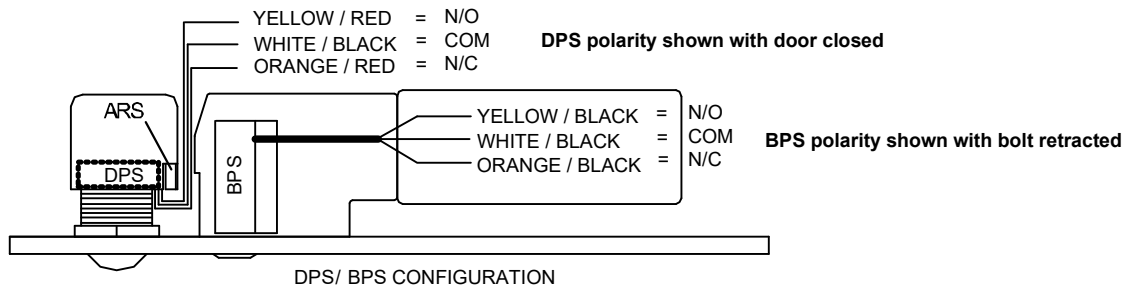


OPTIONAL BOLT POSITION SENSOR (BPS-MAGNETIC)

B Indicates bolt locked or unlocked 5 Watt

OPTIONAL DOOR POSITION SWITCH (DPS-MECHANICAL)

D Indicates door opened or closed 4A @ 30VDC (Resistive)



*When both options are ordered the Common is shared