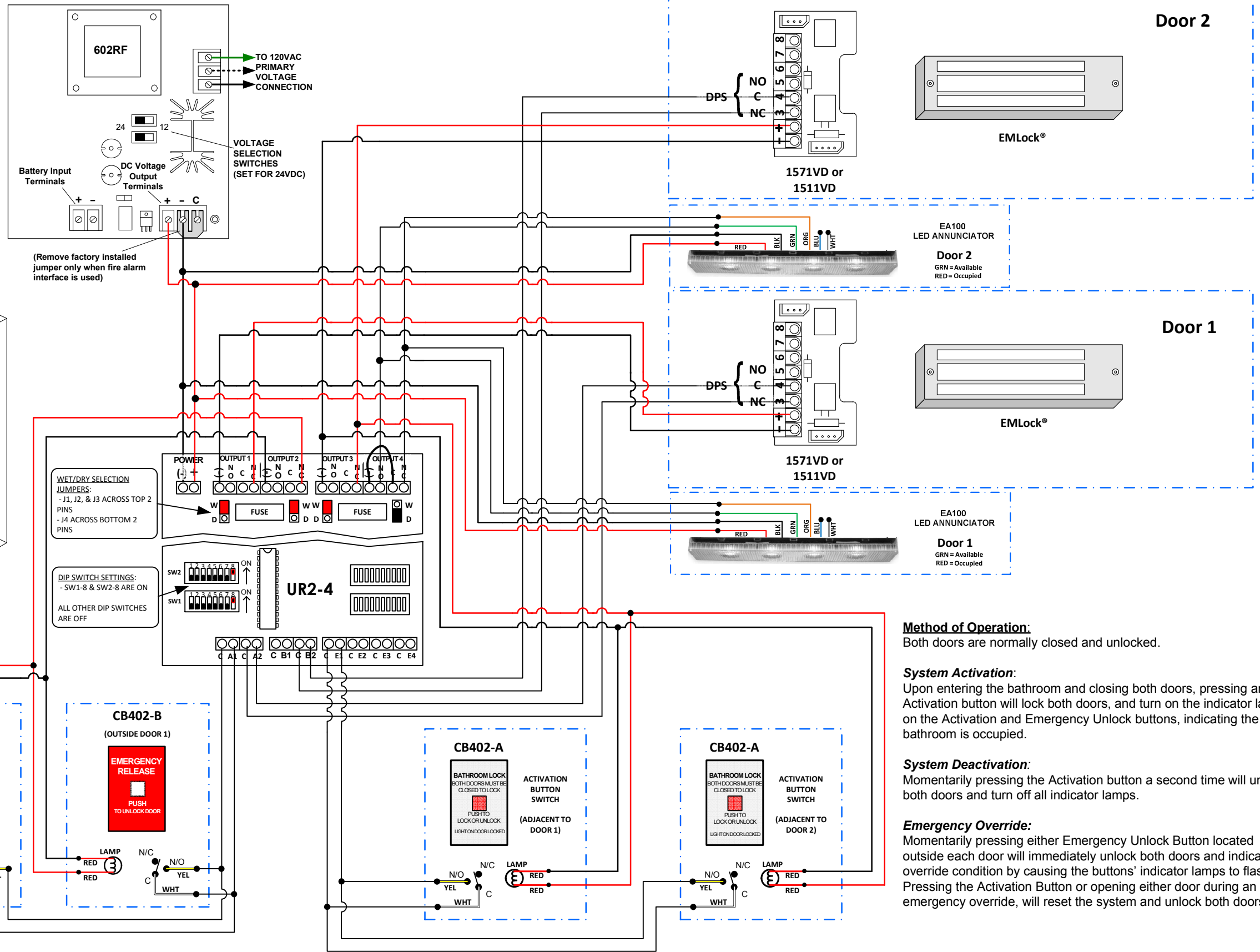
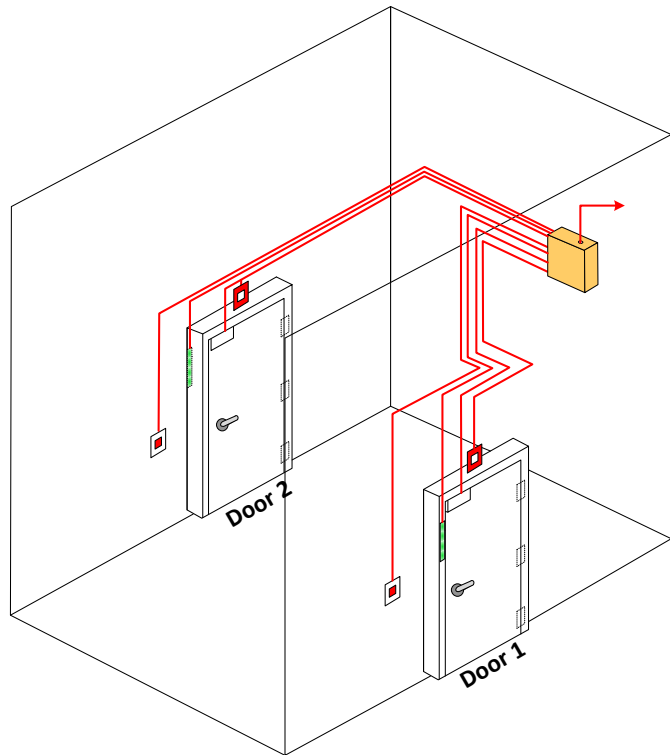


NOTES:

- (1) ALL LOW VOLTAGE SIGNAL WIRING SHALL BE 18-GAUGE MINIMUM. THE MINIMUM INDUCTIVE LOAD (LOCK) POWER WIRE GAUGE SHALL BE DETERMINED PER THE SDC WIRE GAUGE CHART. ALL WIRING (SINGLE OR MULTI-CONDUCTOR) SHALL BE COLOR CODED WITHOUT SPLICES. A MINIMUM OF TWO SPARE CONDUCTORS IS RECOMMENDED.
- (2) SPECIFY VOLTAGE WHEN ORDERING PRODUCTS. VOLTAGE IS NOT SPECIFIED ON THIS WIRE DIAGRAM, BE SURE ALL PRODUCTS ARE VOLTAGE COMPATIBLE.
- (3) ALL WIRING MUST CONFORM TO NATIONAL, STATE AND LOCAL CODES.
- (4) ALWAYS CONSULT WITH THE AUTHORITY HAVING JURISDICTION (AHJ) BEFORE INSTALLATION.
- (5) WHERE REQUIRED BY CODE, CONNECT FAILSAFE SYSTEMS TO THE LOCAL FIRE LIFE SAFETY SYSTEM FOR EMERGENCY RELEASE.
- (6) DOOR POSITION SWITCHES SHOWN WITH THE DOOR CLOSED



Method of Operation:
Both doors are normally closed and unlocked.

System Activation:
Upon entering the bathroom and closing both doors, pressing an Activation button will lock both doors, and turn on the indicator lamps on the Activation and Emergency Unlock buttons, indicating the bathroom is occupied.

System Deactivation:
Momentarily pressing the Activation button a second time will unlock both doors and turn off all indicator lamps.

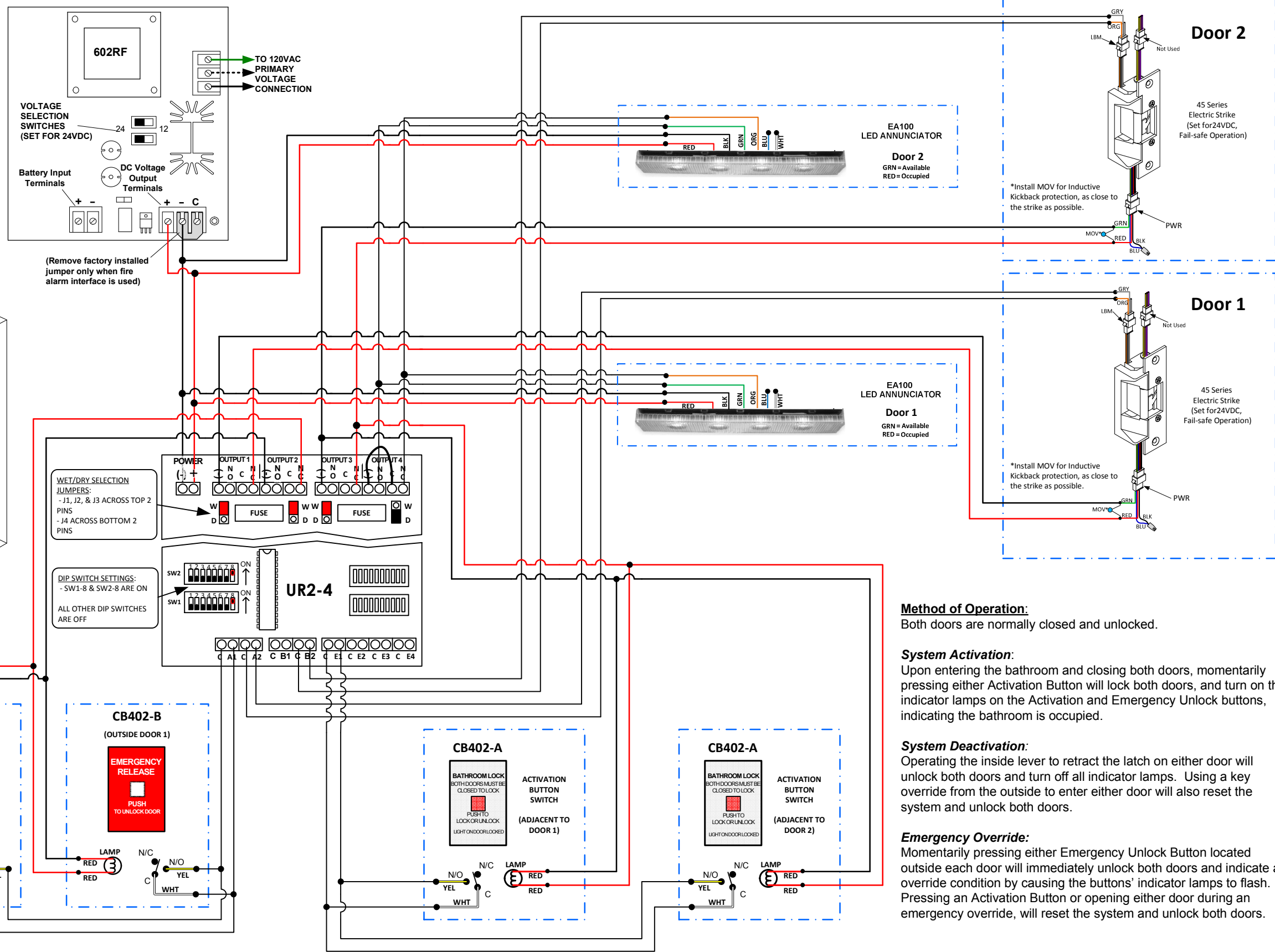
Emergency Override:
Momentarily pressing either Emergency Unlock Button located outside each door will immediately unlock both doors and indicate an override condition by causing the buttons' indicator lamps to flash. Pressing the Activation Button or opening either door during an emergency override, will reset the system and unlock both doors.



PROJECT NAME:	---	TITLE:	2-Door Communicating Bath System – EMLock Solution			SO NO.:	-	REV	-
LOCATION.:	---	DIST.:	-	CONTACT:	service@sdsecurity.com	DATE:	10/14	DRAWN BY:	-
						DWG. NO.:	-		Page 1 of 3

NOTES:

- (1) ALL LOW VOLTAGE SIGNAL WIRING SHALL BE 18-GAUGE MINIMUM. THE MINIMUM INDUCTIVE LOAD (LOCK) POWER WIRE GAUGE SHALL BE DETERMINED PER THE SDC WIRE GAUGE CHART. ALL WIRING (SINGLE OR MULTI-CONDUCTOR) SHALL BE COLOR CODED WITHOUT SPLICES. A MINIMUM OF TWO SPARE CONDUCTORS IS RECOMMENDED.
- (2) SPECIFY VOLTAGE WHEN ORDERING PRODUCTS. VOLTAGE IS NOT SPECIFIED ON THIS WIRE DIAGRAM, BE SURE ALL PRODUCTS ARE VOLTAGE COMPATIBLE.
- (3) ALL WIRING MUST CONFORM TO NATIONAL, STATE AND LOCAL CODES.
- (4) ALWAYS CONSULT WITH THE AUTHORITY HAVING JURISDICTION (AHJ) BEFORE INSTALLATION.
- (5) WHERE REQUIRED BY CODE, CONNECT FAILSAFE SYSTEMS TO THE LOCAL FIRE LIFE SAFETY SYSTEM FOR EMERGENCY RELEASE.
- (6) DOOR POSITION SWITCHES SHOWN WITH THE DOOR CLOSED



Method of Operation:
Both doors are normally closed and unlocked.

System Activation:
Upon entering the bathroom and closing both doors, momentarily pressing either Activation Button will lock both doors, and turn on the indicator lamps on the Activation and Emergency Unlock buttons, indicating the bathroom is occupied.

System Deactivation:
Operating the inside lever to retract the latch on either door will unlock both doors and turn off all indicator lamps. Using a key override from the outside to enter either door will also reset the system and unlock both doors.

Emergency Override:
Momentarily pressing either Emergency Unlock Button located outside each door will immediately unlock both doors and indicate an override condition by causing the buttons' indicator lamps to flash. Pressing an Activation Button or opening either door during an emergency override, will reset the system and unlock both doors.

© 2014 Security Door Controls Printed in U.S.A



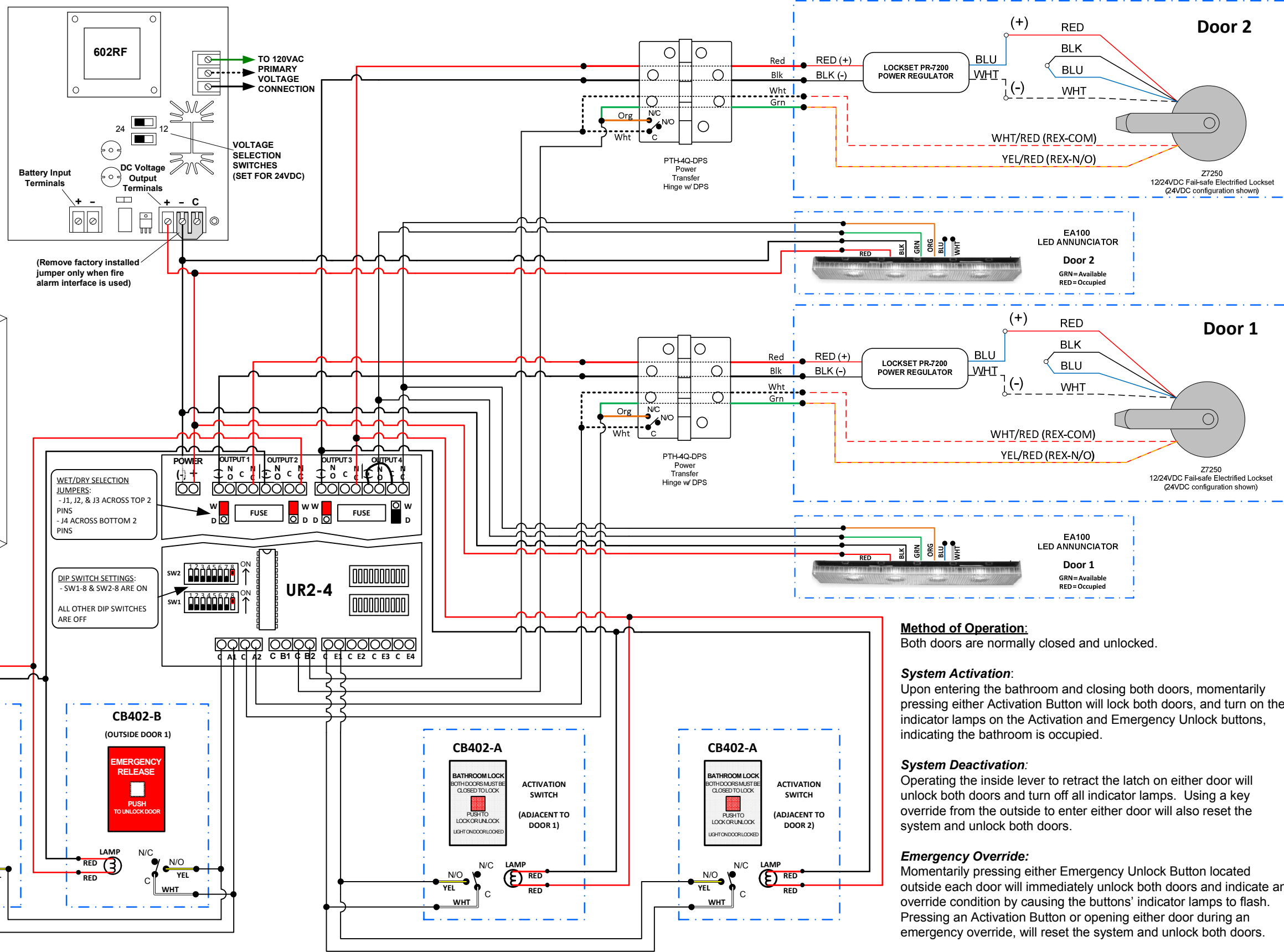
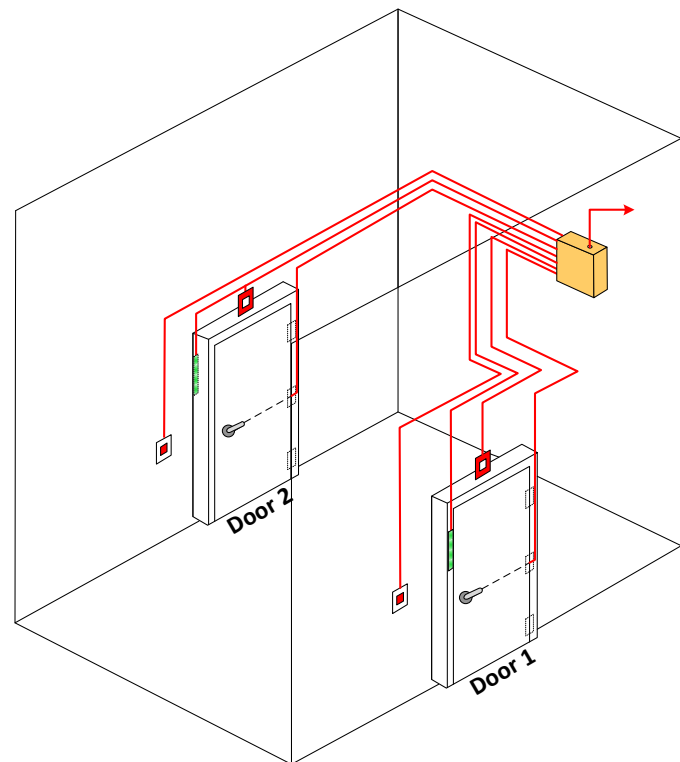
Security Door Controls
801 Avenida Acaso
Camarillo, CA 93012
f 805.494.0622 ~ f 805.494.8861
www.sdcsecurity.com

NOTE: ALL WIRING MUST BE REVIEWED AND APPROVED BY THE PROJECT ENGINEER ASSIGNED TO THE LOCATION FOR ITS CORRECTNESS AND SUITABILITY FOR THE APPLICATION IN THE WHICH THE EQUIPMENT INSTALLED AND OPERATED. ALL WIRING MUST CONFORM TO NATIONAL, STATE, AND LOCAL CODES FOR CLASS 2 FIRE PROTECTION AND CONTROL DEVICES.

PROJECT NAME:	---	TITLE:	2-Door Communicating Bath System – Electric Strike Solution			SO NO.:	-	REV	-
LOCATION.:	---	DIST.:	-	CONTACT:	service@sdsecurity.com	DATE:	10/14	DRAWN BY:	-
						DWG. NO.:	-		Page 2 of 3

NOTES:

- (1) ALL LOW VOLTAGE SIGNAL WIRING SHALL BE 18-GAUGE MINIMUM. THE MINIMUM INDUCTIVE LOAD (LOCK) POWER WIRE GAUGE SHALL BE DETERMINED PER THE SDC WIRE GAUGE CHART. ALL WIRING (SINGLE OR MULTI-CONDUCTOR) SHALL BE COLOR CODED WITHOUT SPLICES. A MINIMUM OF TWO SPARE CONDUCTORS IS RECOMMENDED.
- (2) SPECIFY VOLTAGE WHEN ORDERING PRODUCTS. VOLTAGE IS NOT SPECIFIED ON THIS WIRE DIAGRAM. BE SURE ALL PRODUCTS ARE VOLTAGE COMPATIBLE.
- (3) ALL WIRING MUST CONFORM TO NATIONAL, STATE AND LOCAL CODES.
- (4) ALWAYS CONSULT WITH THE AUTHORITY HAVING JURISDICTION (AHJ) BEFORE INSTALLATION.
- (5) WHERE REQUIRED BY CODE, CONNECT FAILSAFE SYSTEMS TO THE LOCAL FIRE LIFE SAFETY SYSTEM FOR EMERGENCY RELEASE.
- (6) DOOR POSITION SWITCHES SHOWN WITH THE DOOR CLOSED



Method of Operation:
Both doors are normally closed and unlocked.

System Activation:
Upon entering the bathroom and closing both doors, momentarily pressing either Activation Button will lock both doors, and turn on the indicator lamps on the Activation and Emergency Unlock buttons, indicating the bathroom is occupied.

System Deactivation:
Operating the inside lever to retract the latch on either door will unlock both doors and turn off all indicator lamps. Using a key override from the outside to enter either door will also reset the system and unlock both doors.

Emergency Override:
Momentarily pressing either Emergency Unlock Button located outside each door will immediately unlock both doors and indicate an override condition by causing the buttons' indicator lamps to flash. Pressing an Activation Button or opening either door during an emergency override, will reset the system and unlock both doors.

© 2014 Security Door Controls Printed in U.S.A



Security Door Controls
801 Avenida Acaso
Camarillo, CA 93012
f 805.494.0622 ~ f 805.494.8861
www.sdcsecurity.com

NOTE: ALL WIRING MUST BE REVIEWED AND APPROVED BY THE PROJECT ENGINEER ASSIGNED TO THE LOCATION FOR ITS CORRECTNESS AND SUITABILITY FOR THE APPLICATION IN THE WHICH THE EQUIPMENT INSTALLED AND OPERATED. ALL WIRING MUST CONFORM TO NATIONAL, STATE, AND LOCAL CODES FOR CLASS 2 FIRE PROTECTION AND CONTROL DEVICES.

PROJECT NAME:	---			TITLE:	2-Door Communicating Bath System – Electrified Cylindrical Solution			SO NO.:	-	REV	-
LOCATION.:	---			DIST.:	-	CONTACT:	service@sdsecurity.com	DATE:	10/14	DRAWN BY:	-
								DWG. NO.:	-		Page 3 of 3