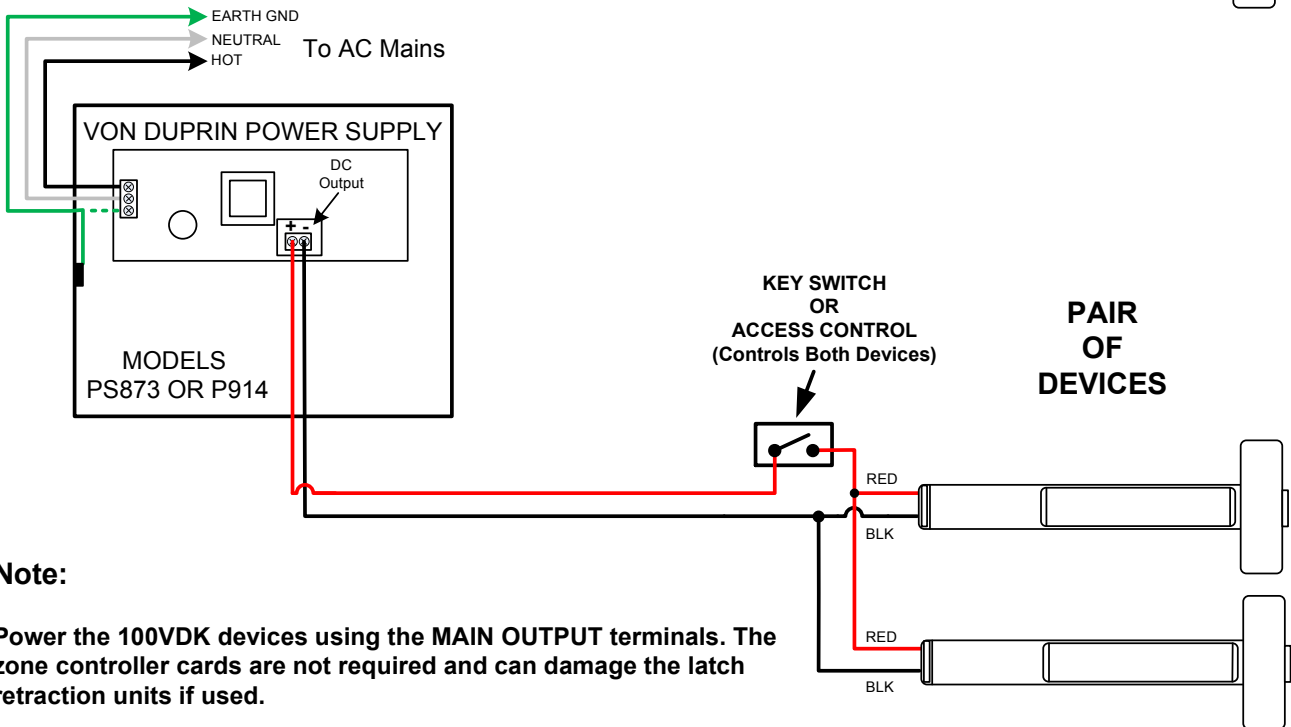
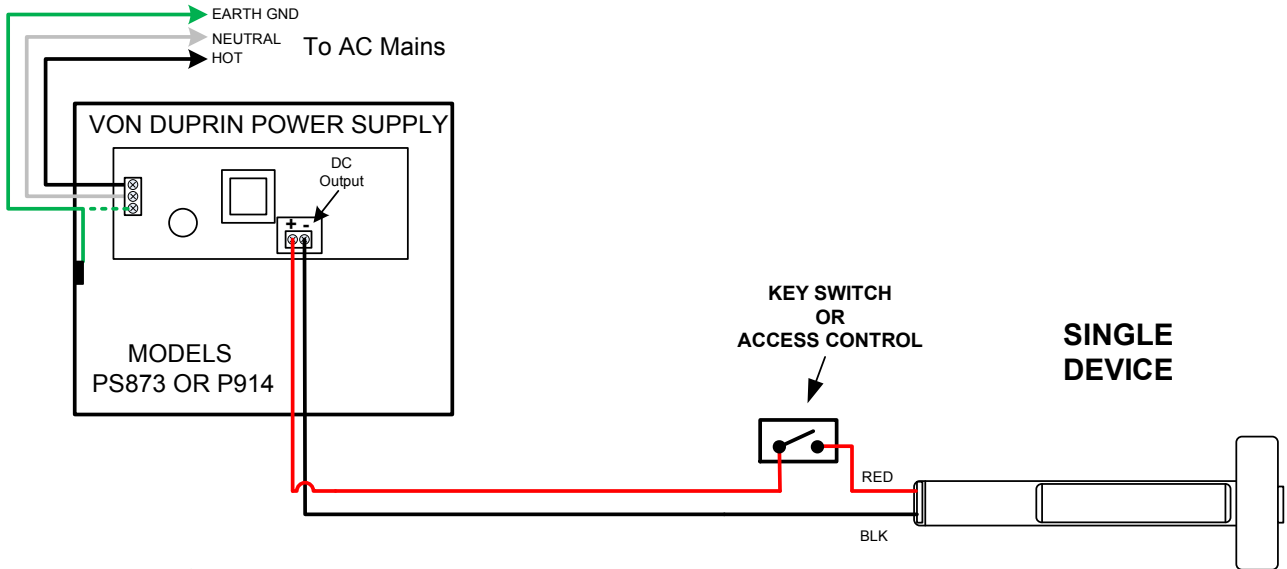


SDC Security Door Controls

801 Avenida Acaso, Camarillo, Ca. 93012 • (805) 494-0622 •
 www.sdcsecurity.com • E-mail: service@sdsecurity.com

MODELS: LR100VDK, LR100VD & LR100VDEM WIRING INSTRUCTIONS for PS873 or PS914



Note:

Power the 100VDK devices using the MAIN OUTPUT terminals. The zone controller cards are not required and can damage the latch retraction units if used.

The low current draw of each device allows both devices to operate simultaneously without the need for a sequencer.