

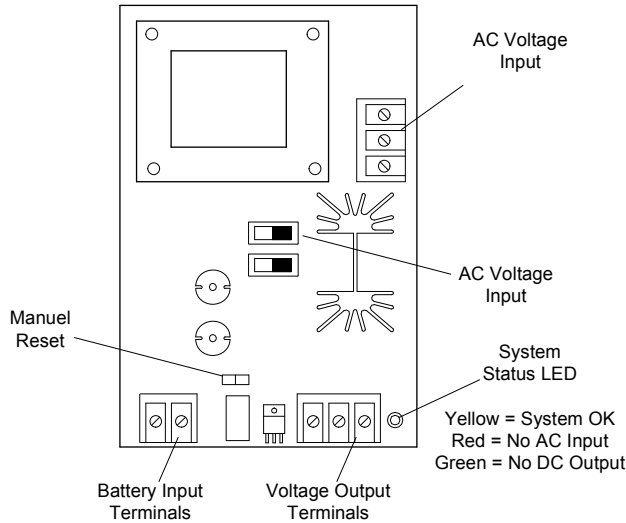


SECURITY DOOR CONTROLS
 801 Avenida Acaso, Camarillo, Ca. 93012
 (805) 494-0622 • Fax: (805) 494-8861
 www.sdcsecurity.com • E-mail: service@sdsecurity.com

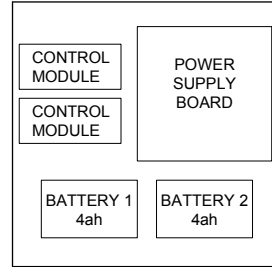
**SPECIAL APPLICATIONS POWER SUPPLY
 INSTALLATION INSTRUCTIONS**

MODEL 602RF

MODEL 602RF



COMPONENT LOCATIONS



STANDARD BOX

**MAIN SYSTEM ON-OFF
 OR
 FIRE PANEL CONNECTION**

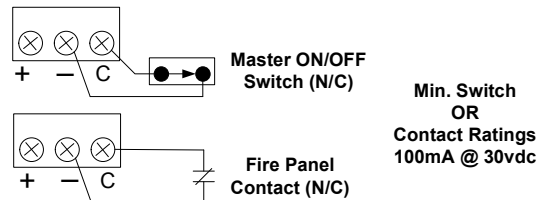


Figure C

POWER SUPPLY SPECIFICATIONS

Input Voltage: 115/230 VAC @ 60hz
Input Current: 0.8 amps Max.

Output Voltage: 12/24VDC (Special Applications)
Burglary Use:

Output Voltage Ranges:
 12 V Operation: 9.2 – 12.0 VDC
 24 V Operation: 21.2 – 24.0 VDC

Output Current: 1.0 amps
Ripple Voltage: 0.05 Volts Max

Battery Charger Max Current: 0.25 amps
Maximum recommended battery size: 4ah
(Replace batteries every three years)

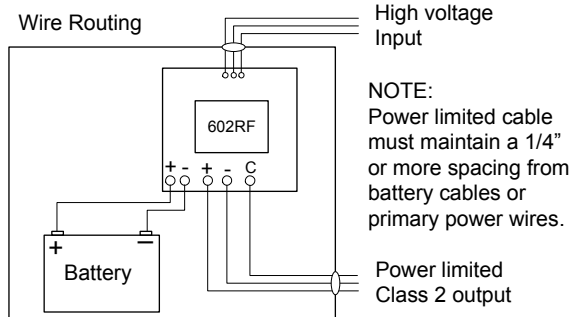
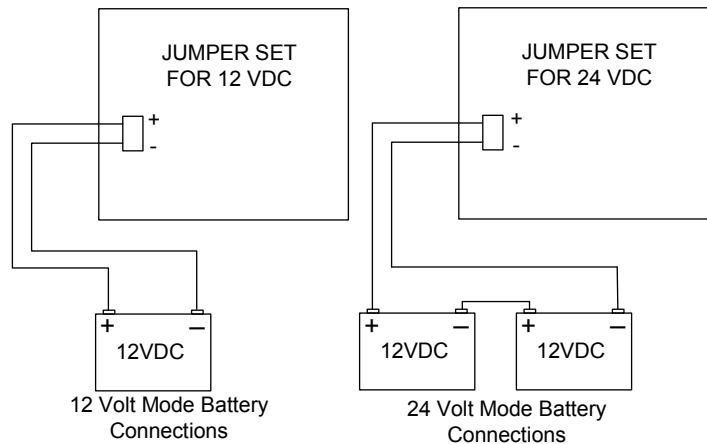
**To determine standby battery capacity, refer to
 Batter Discharge table (INST-BDT).**

Compatible UL listed Fire Devices:
**Smoke detector manufactured by ESL, Model 521B,
 521BXT with Model 506 module.**

Suitable Uses:
Electric Lock Power Supply
Access Control Power Supply
Burglar Alarm System Power Supply
Fire Protective Signaling Service

**NOT INTENDED TO POWER A LOCAL
 BURGLAR ALARM INDICATING DEVICE.**

TEST UNIT YEARLY





SECURITY DOOR CONTROLS
 801 Avenida Acaso, Camarillo, CA 93012
 (805) 494-0622 FAX (805) 494-8861
 www.sdcsecurity.com E-mail: service@sdsecurity.com

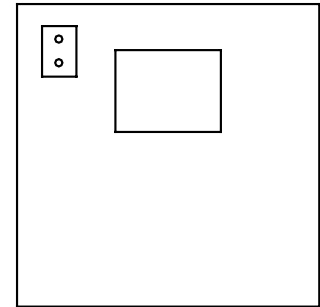
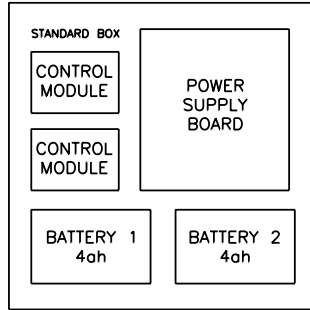
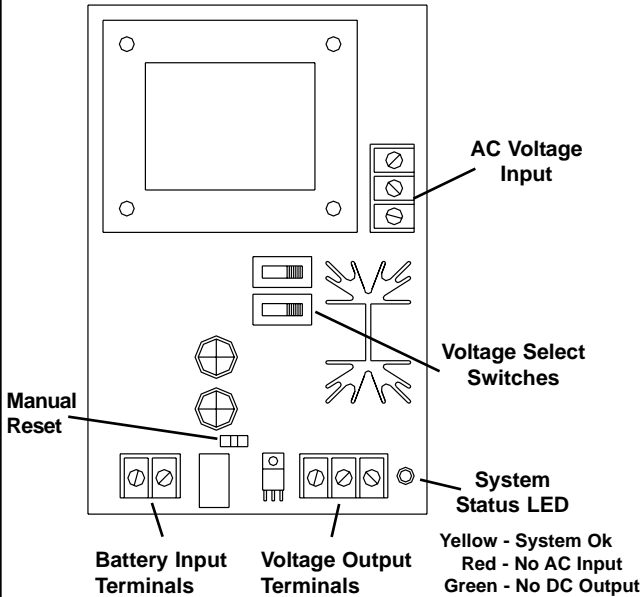
**SPECIAL APPLICATIONS POWER SUPPLY
 INSTALLATION INSTRUCTIONS**

MODEL 602RF-CUL

MODEL 602RF-CUL

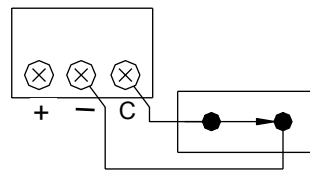
COMPONENT LOCATIONS

COVER



BATTERY MONITOR LEDS
 GRN = AC
 RED = BATTERIES
 ORG = LO/NO BATTERY

MAIN SYSTEM ON-OFF



Min. Switch or Contact Ratings
 100ma. @ 30vdc

Master ON/OFF Switch (N/C)

POWER SUPPLY SPECIFICATIONS

Input Voltage: 115 VAC @ 60hz
Input Current: 0.8 amps Max.

Output Voltage: 12/24 VDC (Special Applications Burglary Use:

Output Voltage Ranges:
 12 V Operation: 9.2 - 12.0 VDC
 24 V Operation: 21.2 - 24.0 VDC

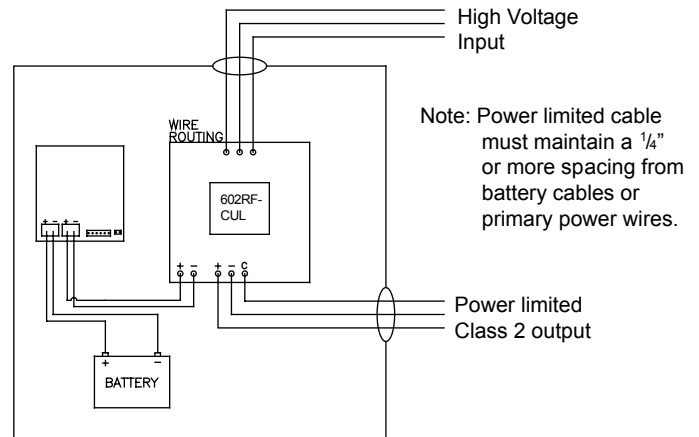
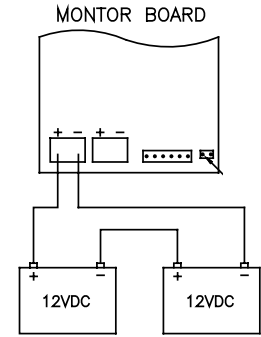
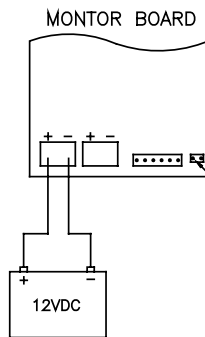
Output Current: 1.0 amps
Ripple Voltage: 0.05 Volts Max

Battery Charger Max Current: 0.25 amps
Maximum recommended battery size: 4ah
Recommended Battery: SDC Model RB12V4 (Replace batteries every 3 years.)

To determine standby battery capacity refer to Battery Discharge table (INST-BDT).

Suitable Uses:
Electric Lock Power Supply
Access Control Power Supply

TEST UNIT YEARLY



Note: Power limited cable must maintain a 1/4" or more spacing from battery cables or primary power wires.