



SECURITY DOOR CONTROLS
 801 Avenida Acaso, Camarillo, Ca. 93012
 (805) 494-0622 • Fax: (805) 494-8861
 www.sdcsecurity.com • E-mail: service@sdsecurity.com

**REGULATED POWER SUPPLY
 INSTALLATION INSTRUCTIONS**

MODEL 631RF/631RFA

COMPONENT LOCATIONS

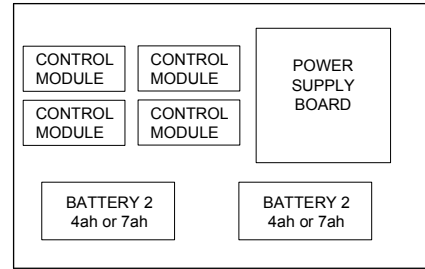
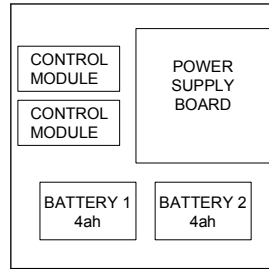
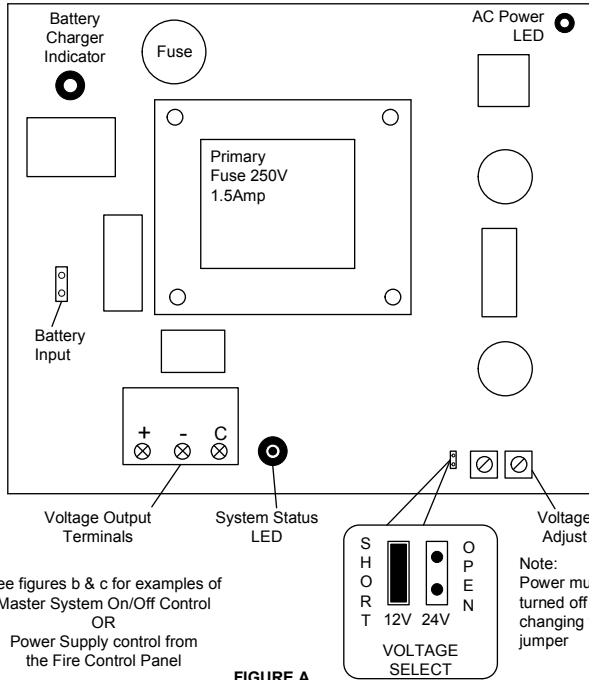


FIGURE B

**MAIN SYSTEM ON-OFF
 OR
 FIRE PANEL CONNECTION**

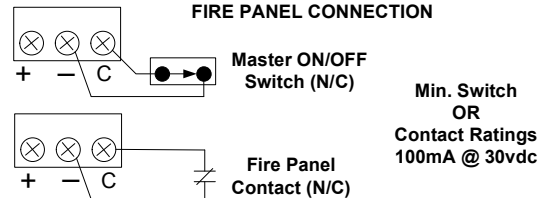


Figure C

POWER SUPPLY SPECIFICATIONS

Input Voltage: 115/230 VAC @ 60hz
Input Current: 0.8 amps Max.

Output Voltage: 12/24VDC (Special Applications)
Output Current: 1.5 amps
Ripple Voltage: 0.05 Volts Max

Battery Charger Max Current: 0.25 amps
Maximum recommended battery size: 7ah
(Replace batteries every three years)

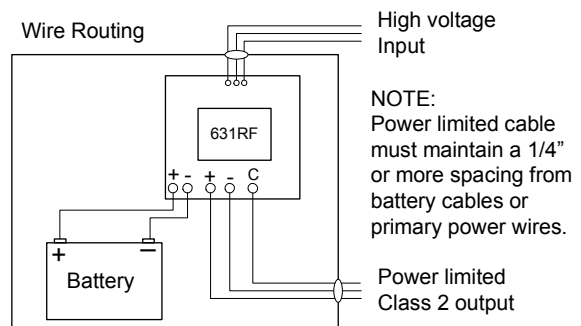
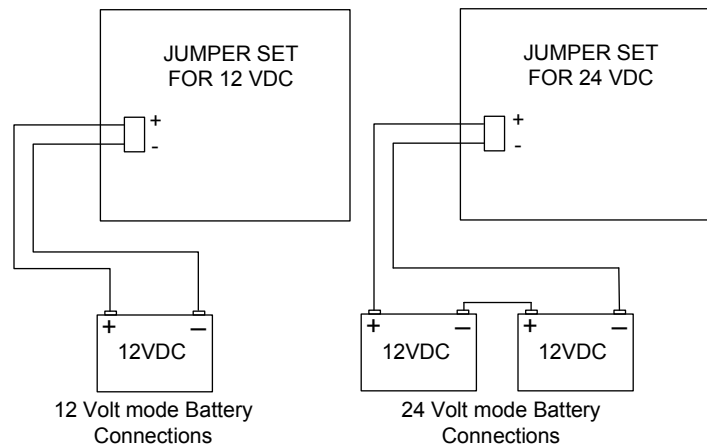
To determine standby battery capacity, refer to Batter Discharge table (INST-BDT).

Compatible UL listed Fire Devices:
Smoke detector manufactured by ESL, Model 521B, 521BXT with Model 506 module.

Suitable Uses:
Electric Lock Power Supply
Access Control Power Supply
Burglar Alarm System Power Supply

NOT INTENDED TO POWER A LOCAL BURGLAR ALARM INDICATING DEVICE.

TEST UNIT YEARLY





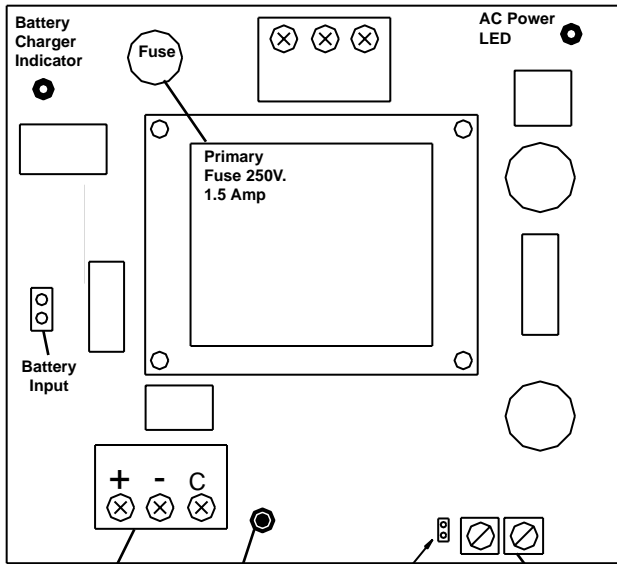
SECURITY DOOR CONTROLS
 3580 Willow Lane
 Westlake Village, CA 91361
 (805) 494-0622 FAX (805) 494-8861
 www.sdcsecurity.com E-mail: service@sdsecurity.com

**REGULATED POWER SUPPLY
 INSTALLATION INSTRUCTIONS**

MODEL 631RF-CUL/631RFA-CUL

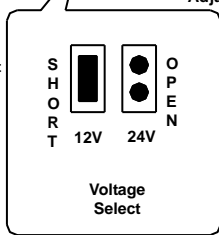
Model 631RF-CUL/631RFA-CUL

COMPONENT LOCATIONS

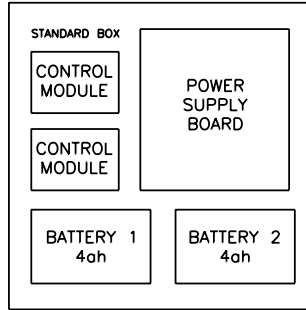


Yellow - System Ok
 Red - No AC Input
 Green - No DC Output

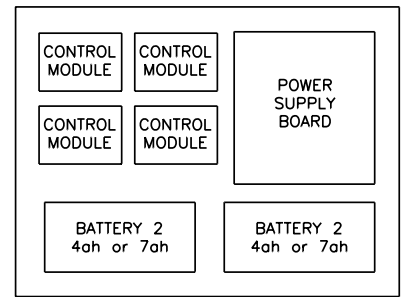
See figures b & c for examples of Master System On/Off Control or Power Supply Control from the Fire Control Panel



Note: Power must be turned off before changing voltage jumper

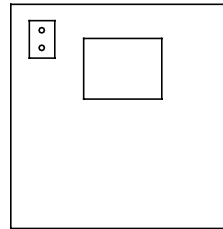


STANDARD BOX



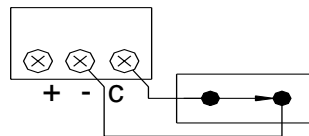
'A' OPTION BOX

COVER



BATTERY MONITOR LEADS
 GRN = AC
 RED = BATTERIES
 ORG = LO/NO BATTERY

MAIN SYSTEM ON-OFF



Min. Switch or Contact Ratings 100ma. @ 30vdc
 Master ON/OFF Switch (N/C)

POWER SUPPLY SPECIFICATIONS

Input Voltage: 115/230 vac @ 60hz
 Input Current: 0.8 amps Max.

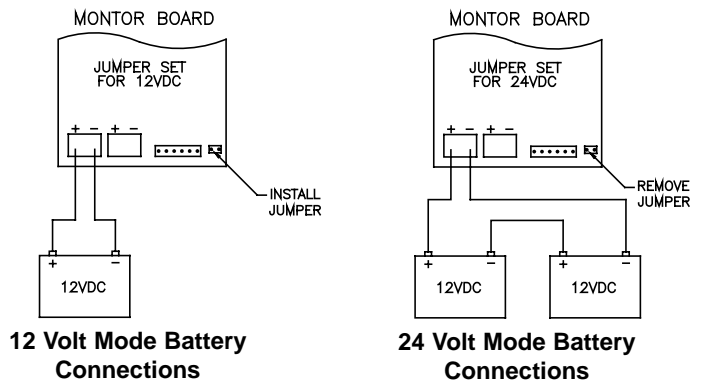
Output Voltage: 12/24vdc. (Regulated)
 Output Current: 1.5 amps
 Ripple Voltage: 0.05 Volts Max

Battery Charger Max Current: 0.25 amps
 Maximum recommended battery size: 7ah
 Recommended Battery: SDC Model RB12V7
 (Replace batteries every 3 years)

To determine standby battery capacity refer to Battery Discharge table (INST-BDT)

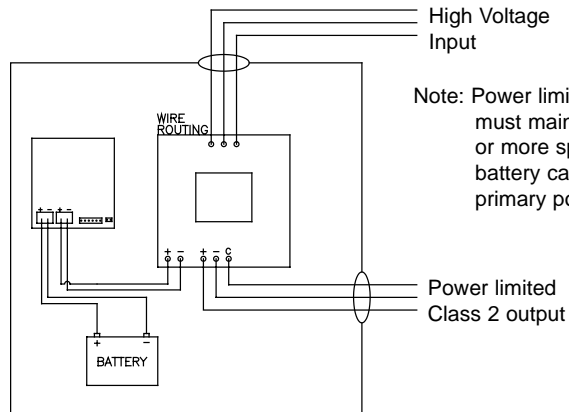
Suitable Uses:
 Electric Lock Power Supply
 Access Control Power Supply

TEST UNIT YEARLY



12 Volt Mode Battery Connections

24 Volt Mode Battery Connections



Note: Power limited cable must maintain a 1/4" or more spacing from battery cables or primary power wires.