

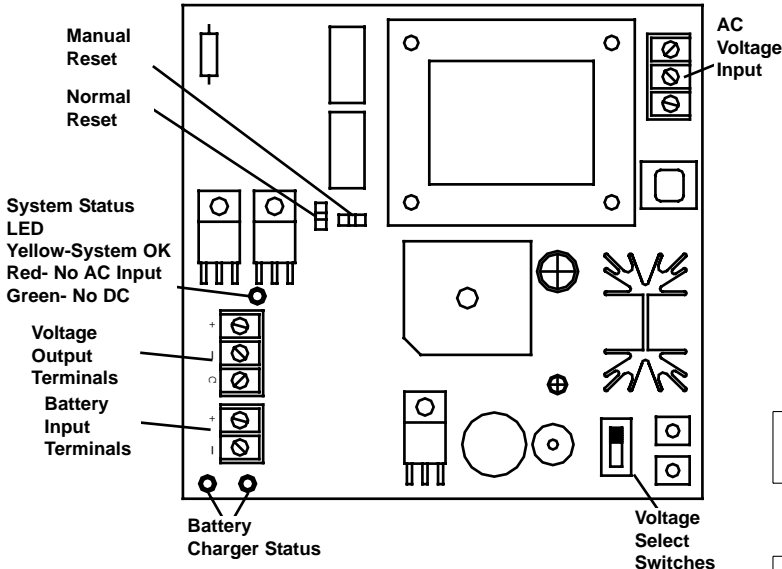


**SECURITY DOOR CONTROLS**  
 3580 Willow Lane  
 Westlake Village, CA 91361  
 (805) 494-0622 FAX (805) 494-8861  
 www.sdcsecurity.com E-mail: service@sdsecurity.com

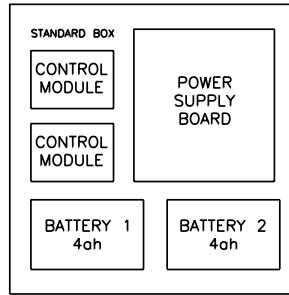
**POWER SUPPLY  
 INSTALLATION INSTRUCTIONS**

**MODEL 632RF**

**MODEL 632RF**

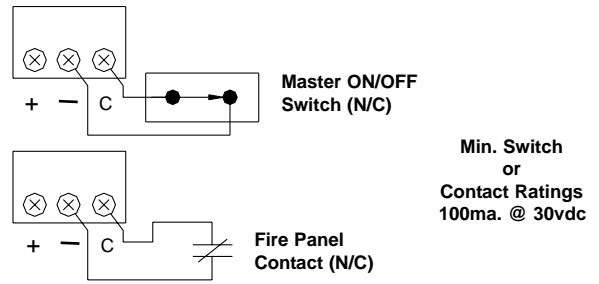


**COMPONENT LOCATIONS**



STANDARD BOX

**MAIN SYSTEM ON-OFF  
 OR  
 FIRE PANEL CONNECTION**



**POWER SUPPLY SPECIFICATIONS**

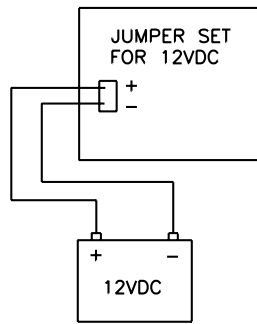
**Input Voltage: 115 VAC @ 60hz**  
**Input Current: 1.0 amps Max.**

**Output Voltage: 12/24 VDC**  
**Output Voltage Ranges:**  
 12 V Operation: 9.2 - 12.0 VDC  
 24 V Operation: 21.2 - 24.0 VDC  
**Output Current: 2.0 amps**  
**Ripple Voltage: 0.05 Volts Max**

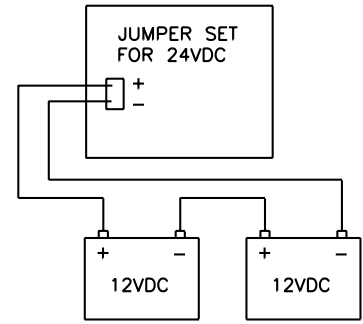
**Battery Charger Max Current: 0.25 amps**  
**Maximum recommended battery size: 4ah**  
**(Replace batteries every 3 years.)**

**Suitable Uses:**  
 Electric Lock Power Supply  
 Access Control Power Supply

**TEST UNIT YEARLY**



**12 Volt Mode Battery Connections**



**24 Volt Mode Battery Connections**

