

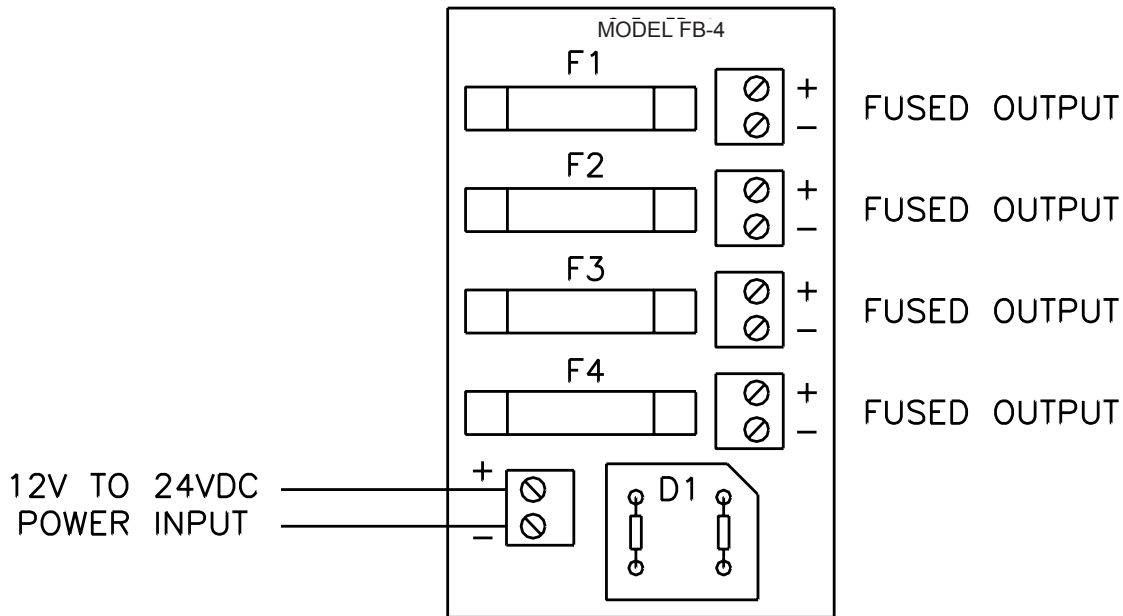


SECURITY DOOR CONTROLS

3580 Willow Lane, Westlake Village, CA 91361-4921 • (805) 494-0622 • Fax: (805) 494-8861
www.sdcsecurity.com • E-mail: service@sdsecurity.com

INSTALLATION WIRE DIAGRAM FB-4 FUSED TERMINAL BOARD

The FB-4 provides four (4) individually fused outputs for modular system protection. The fuse rating for each output is determined by the load current of each output. The fused voltage output is the same as the voltage input. The total current of all outputs can not exceed the power supply current rating.

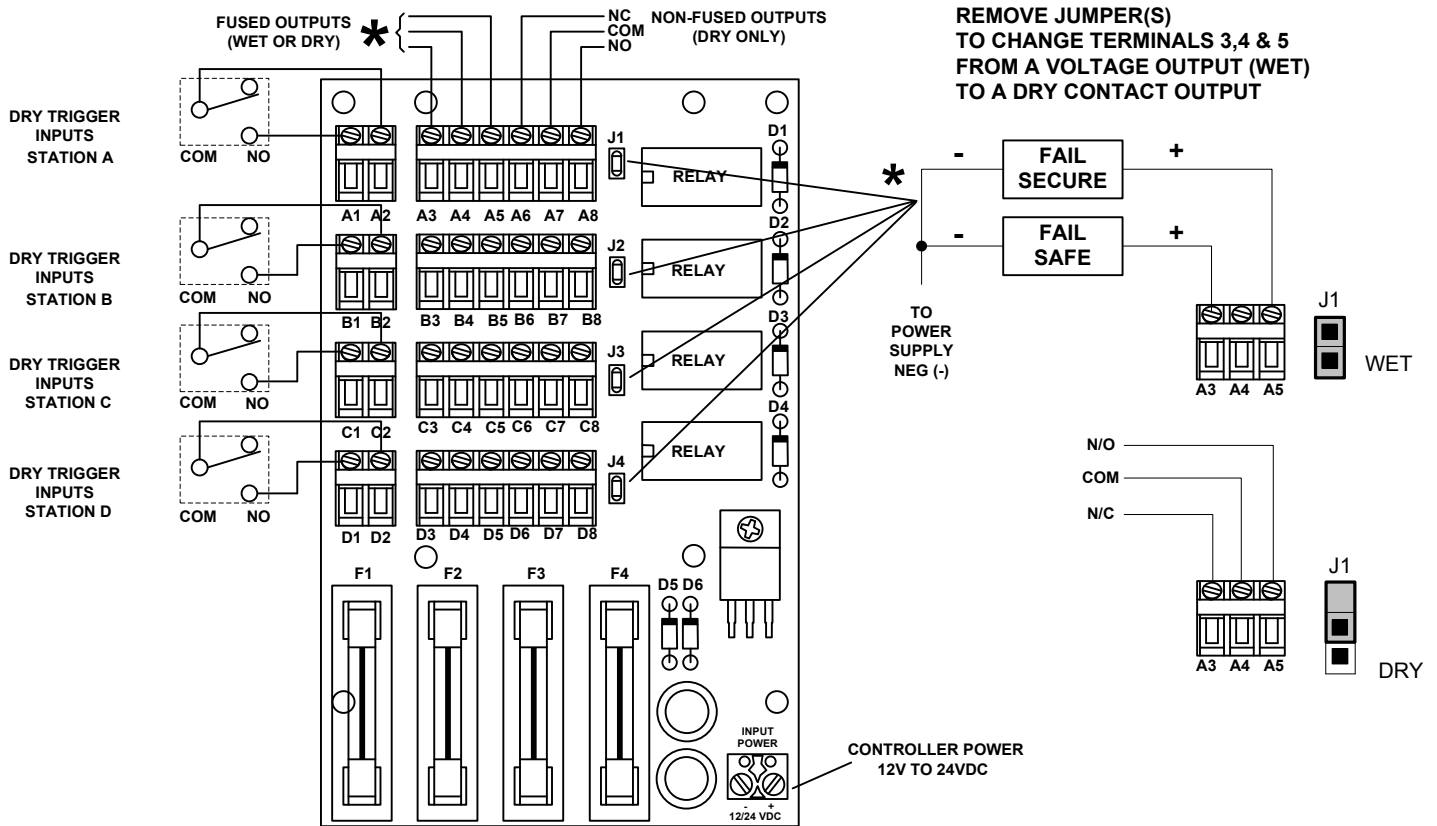


SDC SECURITY DOOR CONTROLS

3580 Willow Lane, Westlake Village, CA 91361-4921 • (805) 494-0622 • Fax: (805) 494-8861
 www.sdcsecurity.com • E-mail: service@sdsecurity.com

INSTALLATION WIRE DIAGRAM CR4 – FOUR STATION CONTROL RELAY MODULE

The CR4 module operates on 12V or 24V DC and provides control of four (4) stations. Each CR4 station accepts a Dry (NO) trigger input and provides one (1) Fused 2 Amp SPDT Output (jumper selectable Wet or Dry) and one (1) Non-fused Dry (2 Amp) SPDT output. Closing a switch across the Dry Trigger Input for Station A, B, C or D will release the output for the amount of time that the trigger input is held closed. The CR4 module can be used to indicate status or implement multiple door interlocks.



- Controller Dimensions:** 6" x 3" x 7/8" (152mm x 77mm x 23mm)
- Controller Input Voltage:** 12V or 24VAC or DC; 0.15 Amp Maximum
- Controller Stations:** Four (4) Independent Stations
- Control Inputs (Per Station):** One (1) (Dry Contact Required)
- Controller Outputs (Per Station):** One (1) SPDT Non Fused Dry Output
and
 One (1) SPDT Fused Wet or Dry Output (Jumper selectable Wet or Dry)
- Relay Contact Ratings:** 2 Amp @ 30VDC (resistive)



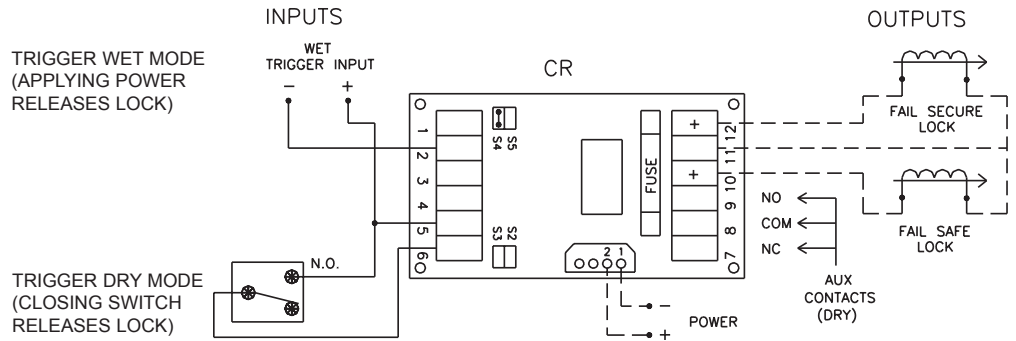
SECURITY DOOR CONTROLS

3580 Willow Lane, Westlake Village, CA 91361-4921 • (805) 494-0622 • Fax: (805) 494-8861
www.sdcsecurity.com • E-mail: service@sdsecurity.com

INSTALLATION WIRE DIAGRAM DOOR CONTROL MODULES CR/TD

C.R. CONTROL RELAY MODULE

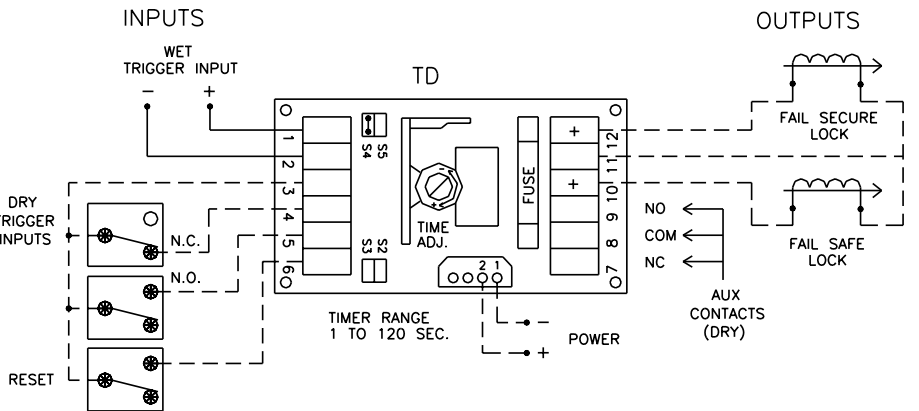
1. Select wet or dry trigger input.
2. Wet trigger input must be same as output voltage, AC or DC.
3. N.O. trigger inputs shown. When using N.C. trigger inputs, outputs are reversed.



CR Control Relay Module. 1 SPDT voltage output Max. 5 Amp @ 12/24VDC
1 SPDT dry contact 5 Amp @ 30 VAC.

T.D. TIME DELAY RELAY MODULE

1. Wet and dry trigger input may be used.
2. Wet trigger input may be 12V or 24V AC or DC.
3. Normally off wet trigger input shown. When using normally on trigger input, outputs are reversed.
4. Reset; adding door position switch resets timer to assure immediate relocking when door closes to guard against unauthorized entry of following pedestrian.



TD 1-120 Second Adjustable time delay. 1 SPDT voltage output
Max. 5 Amp @ 12/24VDC. 1 SPDT dry contact 5 Amp @ 30 VDC.

SDC SECURITY DOOR CONTROLS

3580 Willow Lane, Westlake Village, CA 91361-4921 • (805) 494-0622 • Fax: (805) 494-8861
 www.sdcsecurity.com • E-mail: service@sdsecurity.com

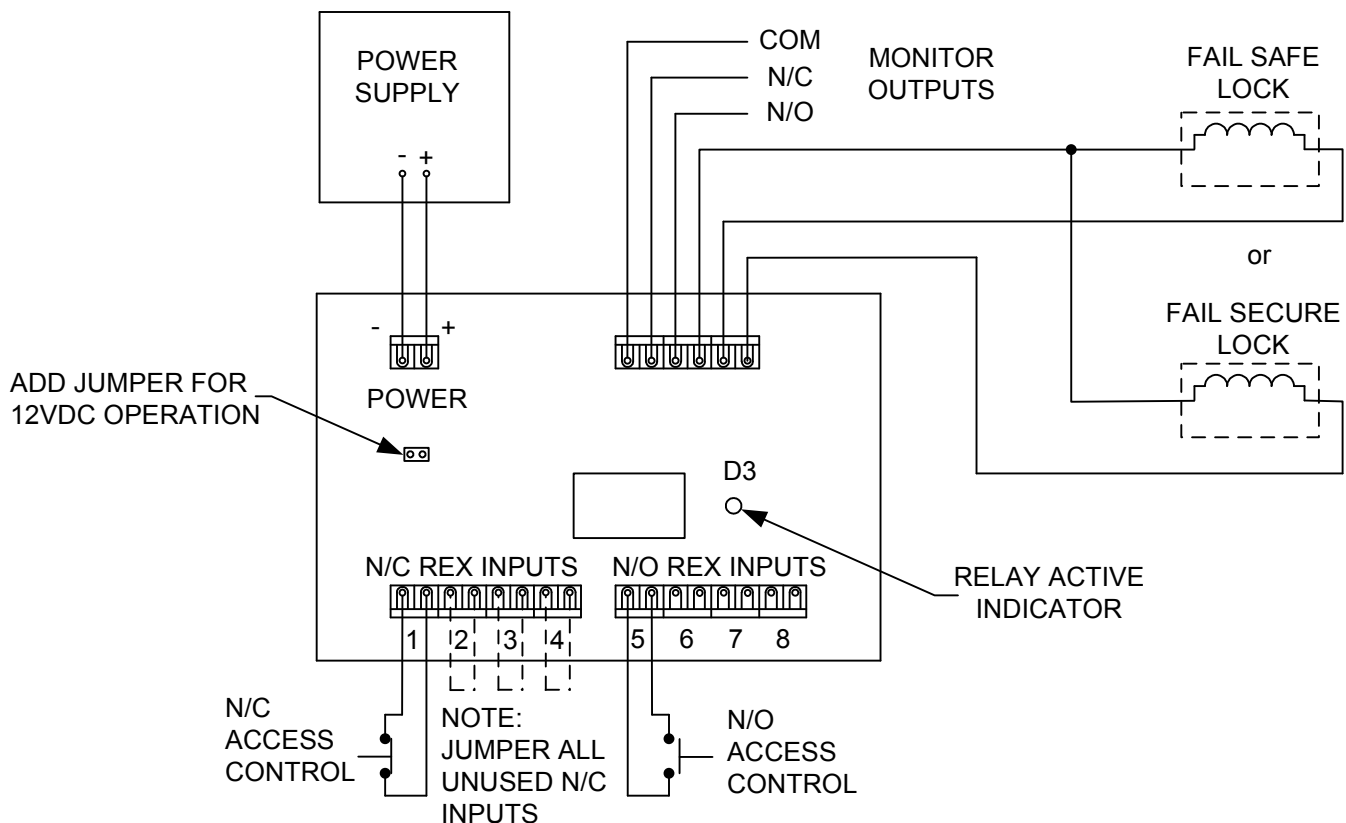
INSTALLATION WIRE DIAGRAM ACM-1

The SDC ACM-1 Access Control Module is an installer friendly interface relay board designed to release a magnetic locking device or electric strike, to provide a lock status output and to provide easy to use multiple wiring terminals for additional access control REX (Request to Exit) inputs.

Operation

When any REX input is activated, the relay will release the magnetic lock or electric strike. The Lock Status Output will change state and the green LED will illuminate.

Compatible with any Request to Exit (REX) output, i.e. Request-to-Exit Push Bar, Keypad, Card Reader, Motion Sensor, Push Button or Key Switch.



ELECTRICAL DATA

- 12/24vdc Input Voltage.
- 75mA Input controller current.
- 4 – N/C Normally Closed Inputs with screw terminals.
- 4 – N/O Normally Open Inputs with screw terminals.
- 5 Amp (Resistive) Fail Safe Lock Output.
- 5 Amp (Resistive) Fail Secure Lock Output.
- Lock Status Output – SPDT (Form C) Dry Contact.
- Green LED Indicator – Illuminated when lock is activated.
- Size: 3-3/8" (86mm) W x 4-1/4" (108mm) L x 3/4" (19mm) H.
- Fits all SDC Power Supplies. Requires 2 Module spaces.
- Supplied with mounting screws and standoffs for J-box mounting.

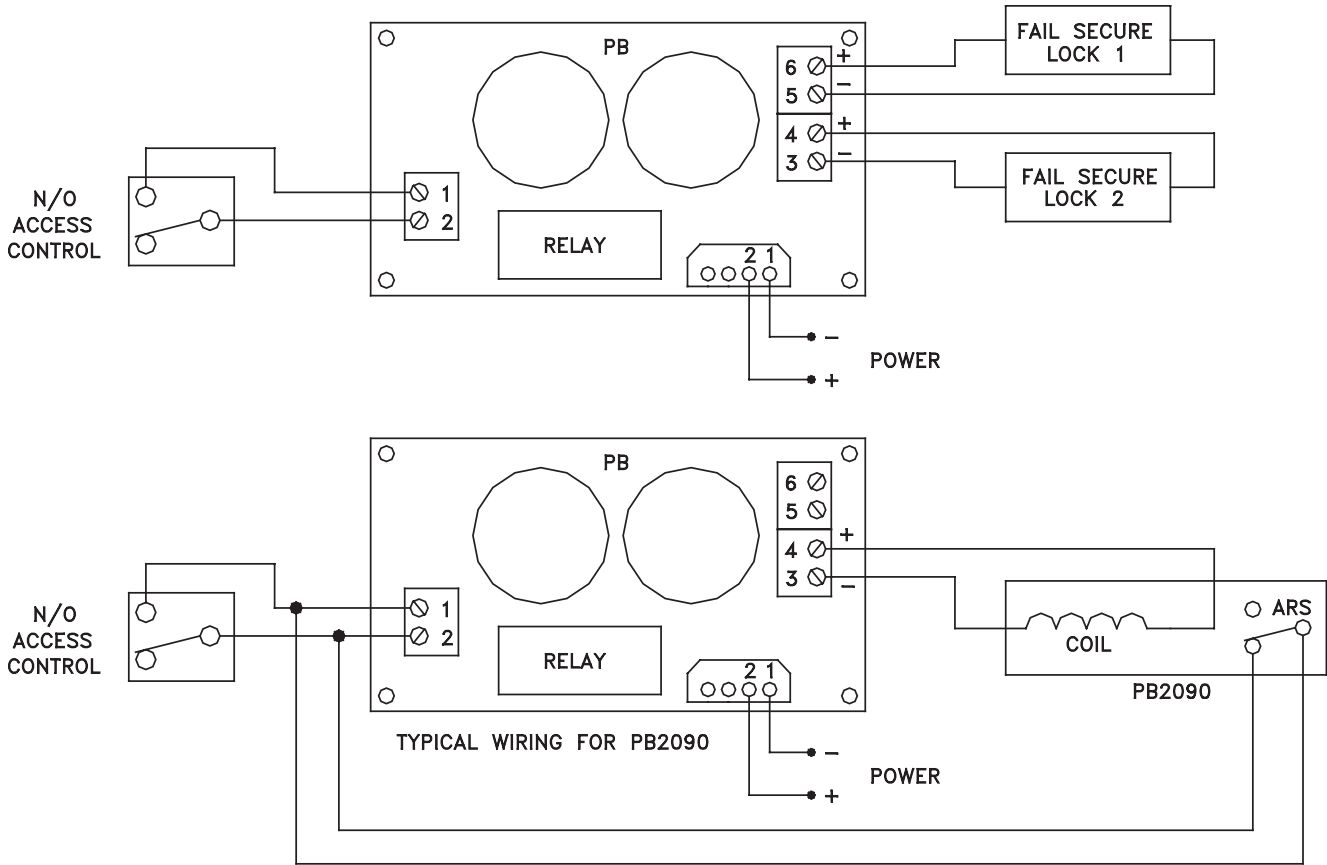
Any suggestions or comments to this instruction or product are welcome. Please contact us through our website or email engineer@sdsecurity.com



SECURITY DOOR CONTROLS

3580 Willow Lane, Westlake Village, CA 91361-4921 • (805) 494-0622 • Fax: (805) 494-8861
www.sdcsecurity.com • E-mail: service@sdsecurity.com

INSTALLATION WIRE DIAGRAM DOOR CONTROL MODULES PB-8, PB-16

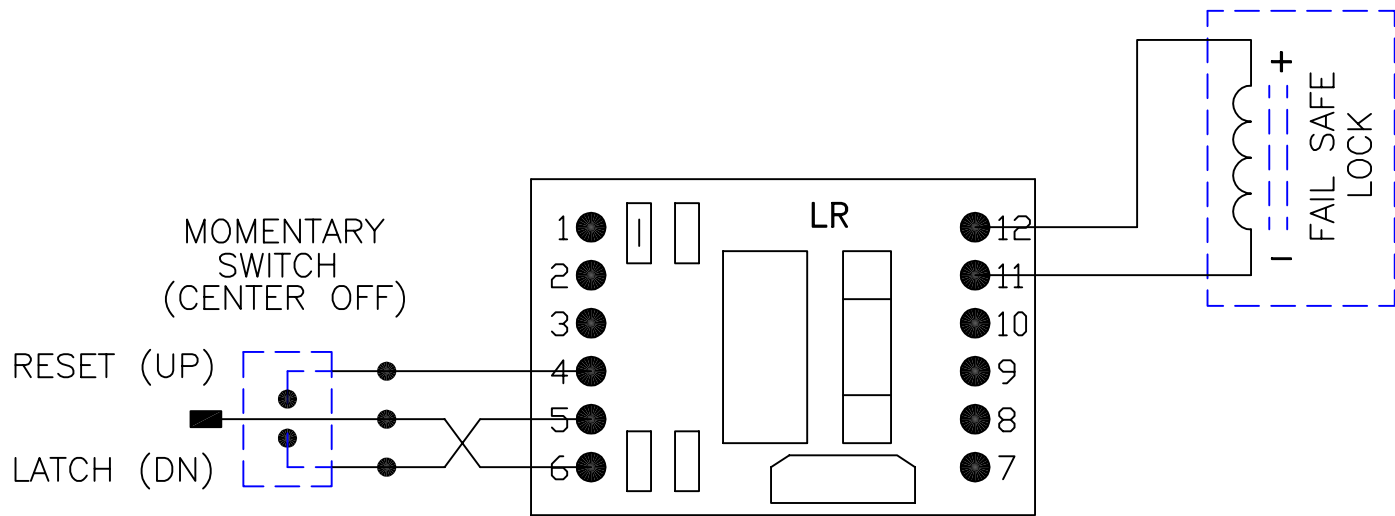


POWER BOOSTER MODULES:

1. Dry trigger input only.
2. Both outputs are fail secure.

PB-8 Power Booster for High Inrush Electric Panic Devices and Locks.
1 Amp continuous @ 24 VDC, 8 Amp surge output.

PB-16 Power Booster for High Inrush Electric Panic Devices and Locks.
1 Amp continuous @ 24 VDC, 16 Amp surge output.



SDC SECURITY DOOR CONTROLS

TITLE

MODEL LR WIRING

DRN BY.	D.M.
CHKD BY.	
ORIGINATION DATE. 1-28-94	

REV.

A

DWG NO.

1008

PART NO.