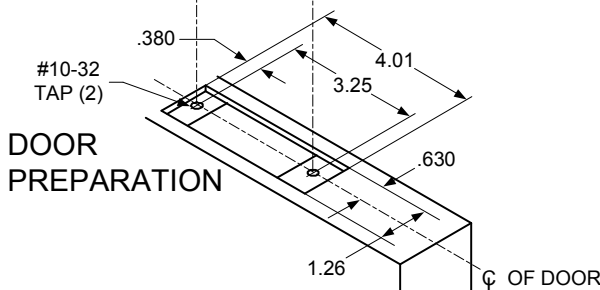
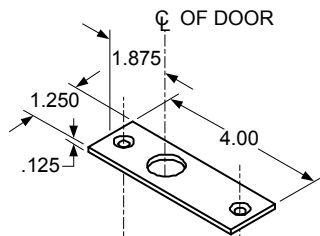
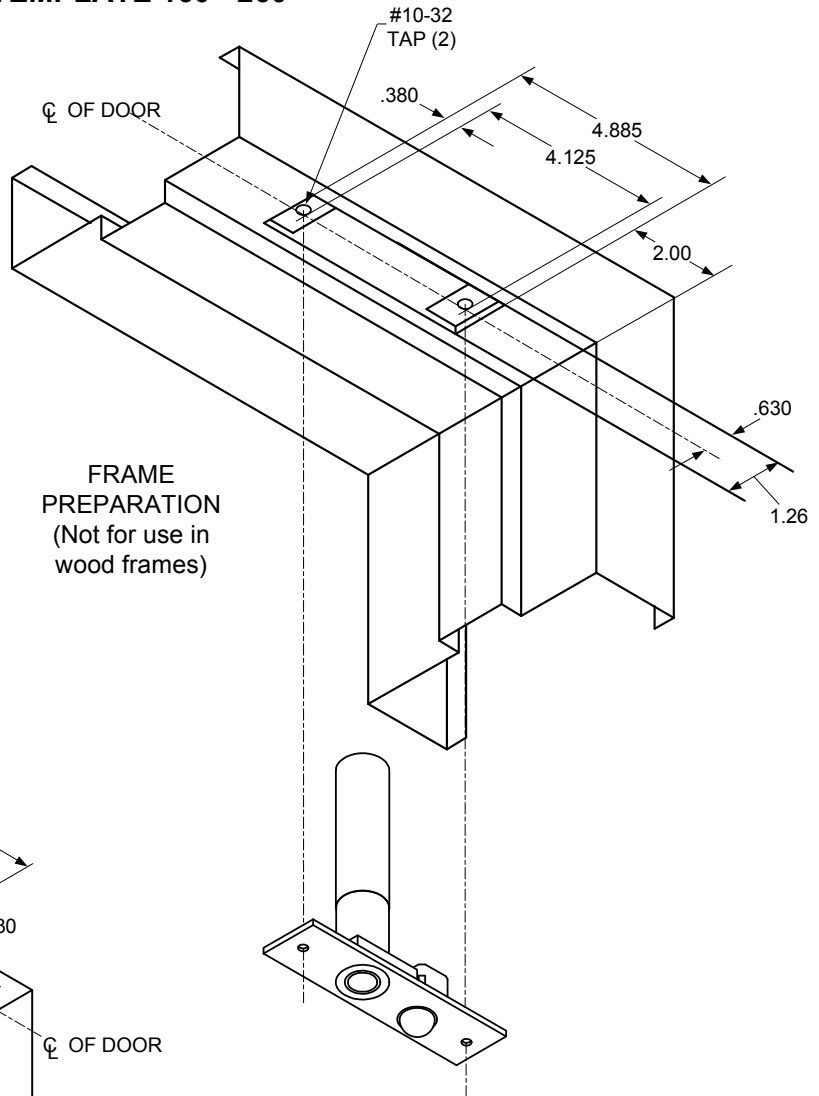
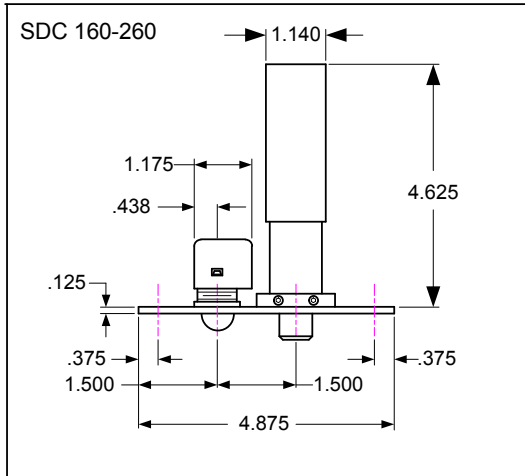


SDC Security Door Controls

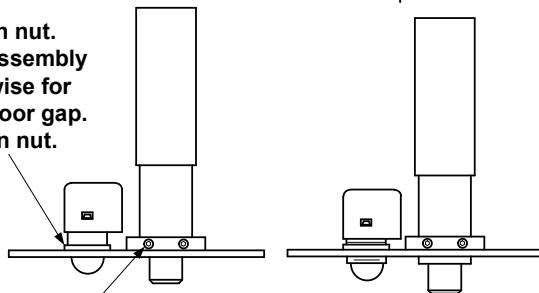
801 Avenida Acaso, Camarillo, Ca. 93012 • (805) 494-0622 • Fax: (805) 494-8861
 www.sdcsecurity.com • E-mail: service@sdsecurity.com

TEMPLATE 160 - 260



Auto Relock Switch & Bolt
 Adjustable for Wide Door Gap

Loosen nut.
 Turn assembly
 clockwise for
 wide door gap.
 Tighten nut.



Loosen Set
 Screws to
 move Bolt
 Chamber.

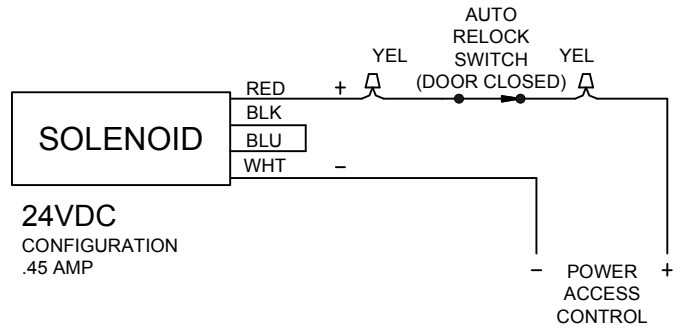
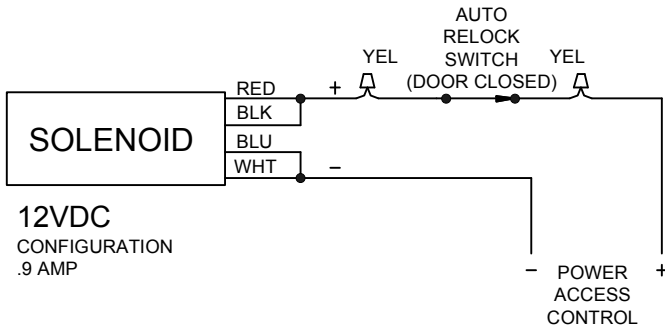
**NOTE: TEMPLATE DIMENSIONS ARE SUBJECT
 TO CHANGE WITHOUT NOTICE.**

TECHNICAL DATA (FOR STANDARD UNIT)

- FACE PLATE:** 4-7/8" x 1-1/4" x 1/8"
- STRIKE:** 4" x 1-1/4" x 1/8"
- ID REQUIREMENTS:** 4-7/8" x 1-1/4" x 4-5/8"
- BOLT:** 5/8" DIA. SOLID STAINLESS STEEL
- BOLT THROW:** 1/2" ROTATING
- 160:** FAIL-SAFE - LOCKED WHEN ENERGIZED
- 260:** FAIL-SECURE - UNLOCKED WHEN ENERGIZED
- SOLENOID:** CONTINUOUS DUTY
- STATUS SENSORS:** DOOR POSITION (OPTIONAL)
- AUTO RELOCK SWITCH:** ADJUSTABLE BALL TYPE

160:

DUAL VOLTAGE SOLENOID WIRING



Dual Voltage (Fail Safe):

7.2 Watts - 12VDC@ .9 Amp

7.2 Watts - 24VDC@ .45 Amp

MONITORING OPTIONS:

DPS- DOOR POSITION SWITCH OPTION - MICRO SWITCH

WHT = COM

RED = CLOSED WITH DOOR OPEN

BLU = OPEN WITH DOOR OPEN

260:

DUAL VOLTAGE SOLENOID WIRING

DUAL VOLTAGE SOLENOID WIRING

