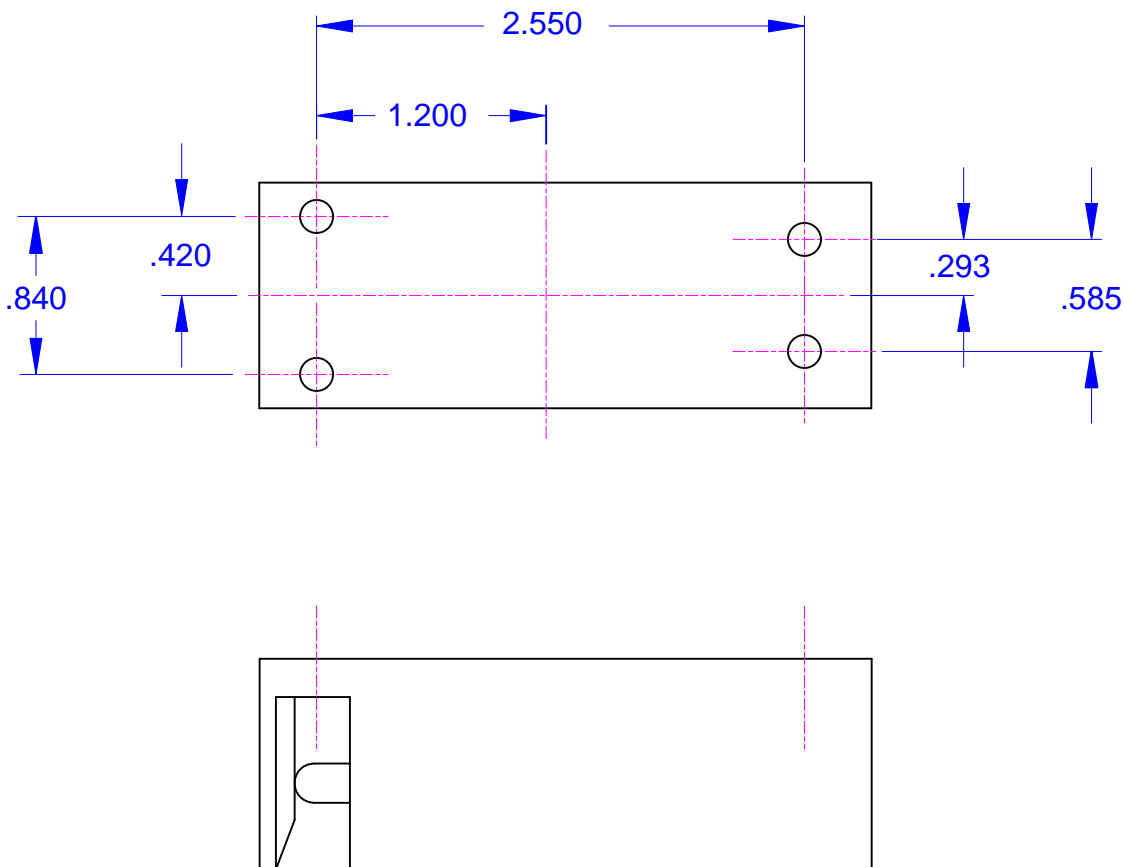


290 CABINET LOCK MOUNTING TEMPLATE



DRAWING MAY NOT BE TO SCALE.
USE DIMENSIONAL CALL-OUTS ONLY.

Any suggestions or comments to this instruction or product are welcome. Please contact us through our website or email engineer@sdsecurity.com