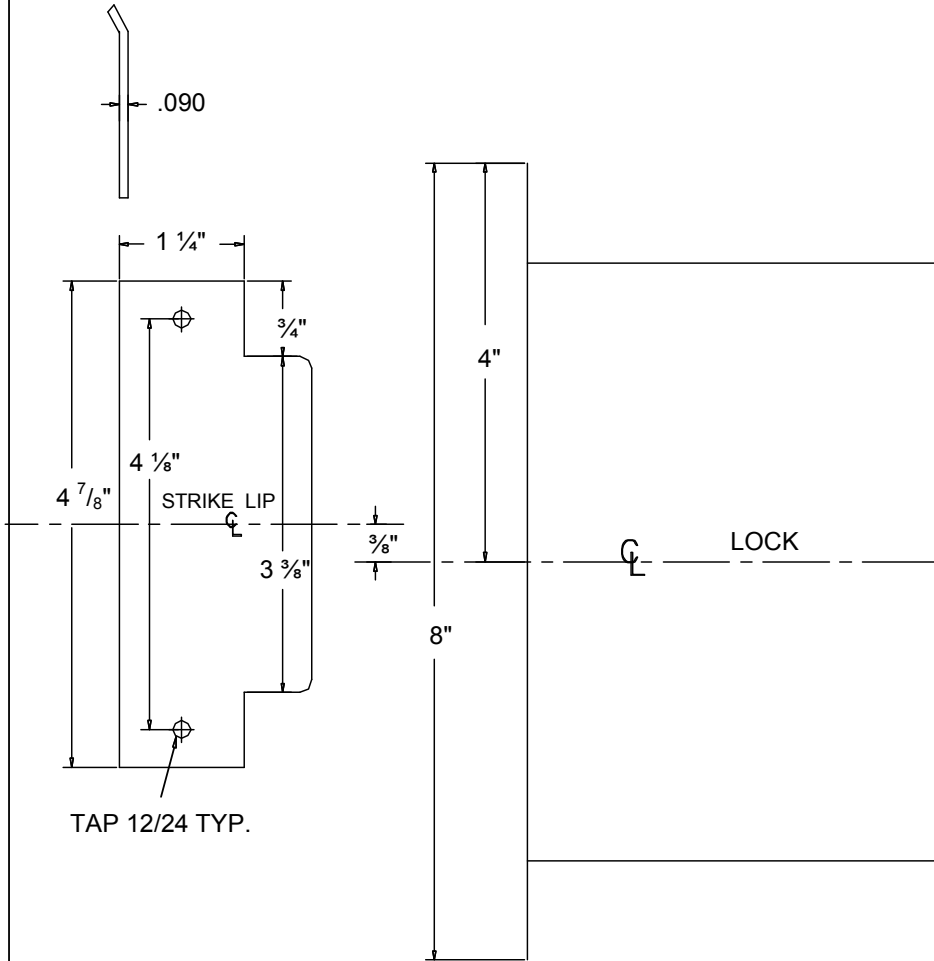




SECURITY DOOR CONTROLS

801 Avenida Acaso, Camarillo, Ca. 93012 • (805) 494-0622 • Fax: (805) 494-8861
www.sdcsecurity.com • E-mail: service@sdsecurity.com

HITOWER Z7500 SERIES TEMPLATE 1 3/4" - 2" FRAMES



TAP 12/24 TYP.

NOTE:
CONCRETE/
MASONRY
DETAIL
SHOWN

FOR STRIKE
RELATION TO
LOCK SEE
LEFT SIDE OF
TEMPLATE

NOTE:
MINIMUM FRAME
FACE 1 3/4"

RIGHT HAND
SHOWN, LEFT
HAND OPPOSITE

DO NOT INSTALL PLASTER BOX

ELECTRICAL BOX BY FRAME MFG'R

IMPORTANT

Details show space requirements for electric controller box. Allowances for different wall construction materials must be taken into consideration. Install conduit connectors in top of box before welding to frame.

NOTE:

THE 3-5/8" CLEARANCE BETWEEN THE STRIKE REINFORCEMENT TABS IS CRITICAL.
*MAXIMUM THICKNESS OF TABS .125

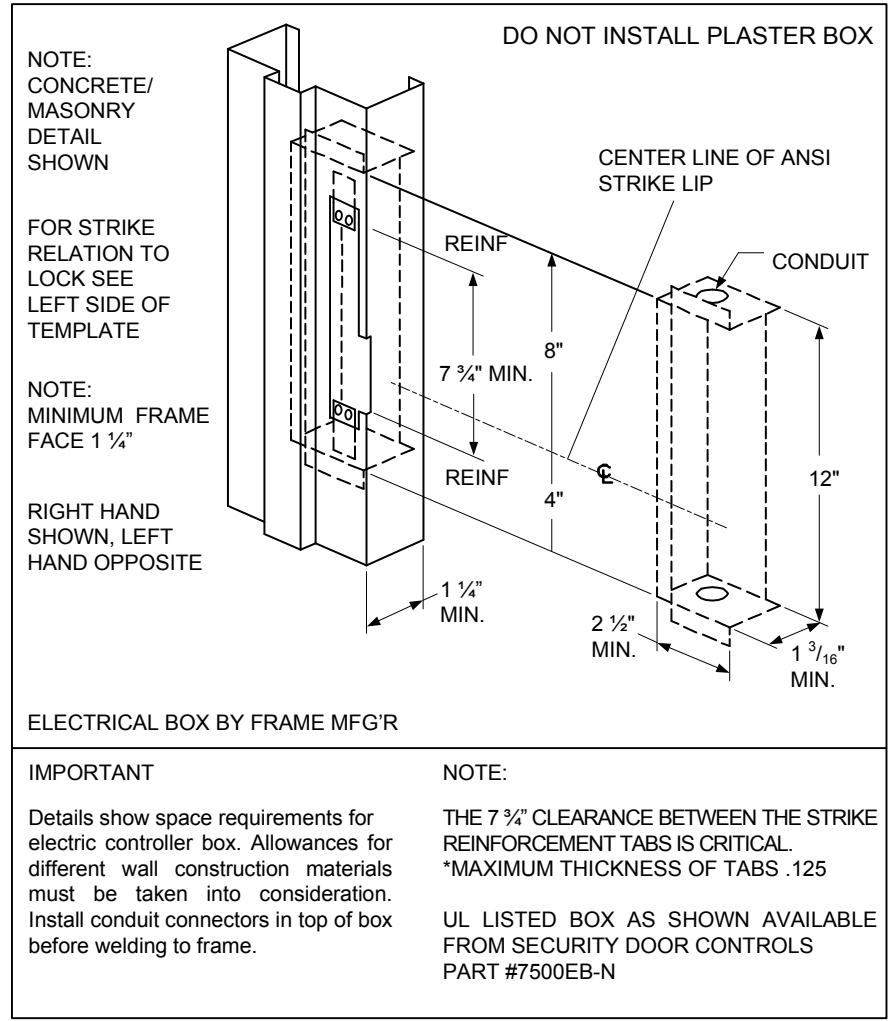
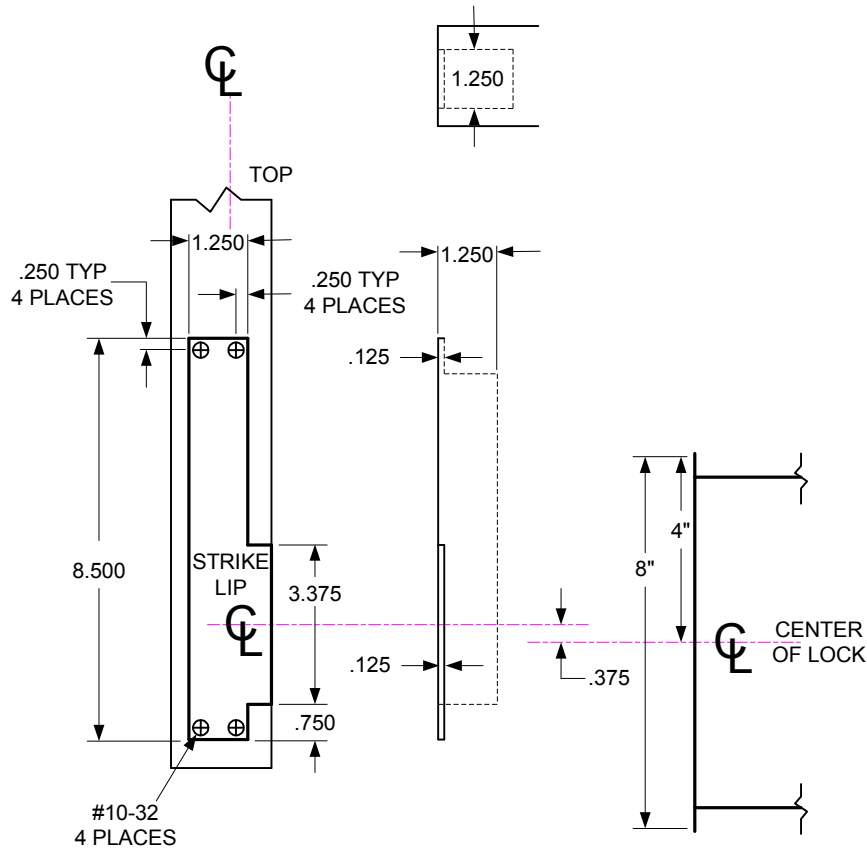
UL LISTED BOX AS SHOWN AVAILABLE FROM SECURITY DOOR CONTROLS PART #7500EB-S

NOT TO SCALE

SDC SECURITY DOOR CONTROLS

801 Avenida Acaso, Camarillo, Ca. 93012 • (805) 494-0622 • Fax: (805) 494-8861
 www.sdcsecurity.com • E-mail: service@sdsecurity.com

HITOWER Z7500 SERIES TEMPLATE 1-1/4" - 1-3/4" FRAMES NARROW ACTUATOR PREP



NOT TO SCALE



SECURITY DOOR CONTROLS

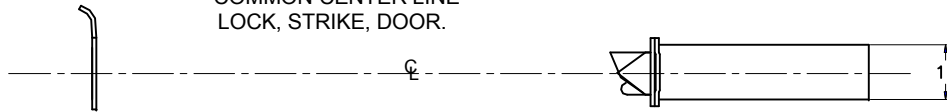
801 Avenida Acaso, Camarillo, Ca. 93012 • (805) 494-0622 • Fax: (805) 494-8861
 www.sdcsecurity.com • E-mail: service@sdsecurity.com

HITOWER Z7500 SERIES TEMPLATE ROSE TRIM, WOOD DOOR, PREP. FLAT OR BEVELED, WOOD OR COMPOSITE DOORS

CHART FOR DRILLING TRIM HOLES						
OUTSIDE				INSIDE		
FUNCTION	LEVER HOLE	CYLINDER HOLE	THUMBTURN HOLE	LEVER HOLE	CYLINDER HOLE	THUMBTURN HOLE
Z7550	●	●		●		
Z7530	●	●		●	●	
Z7570	●	●		●		
Z7560	●	●		●	●	

LOCK DETAIL

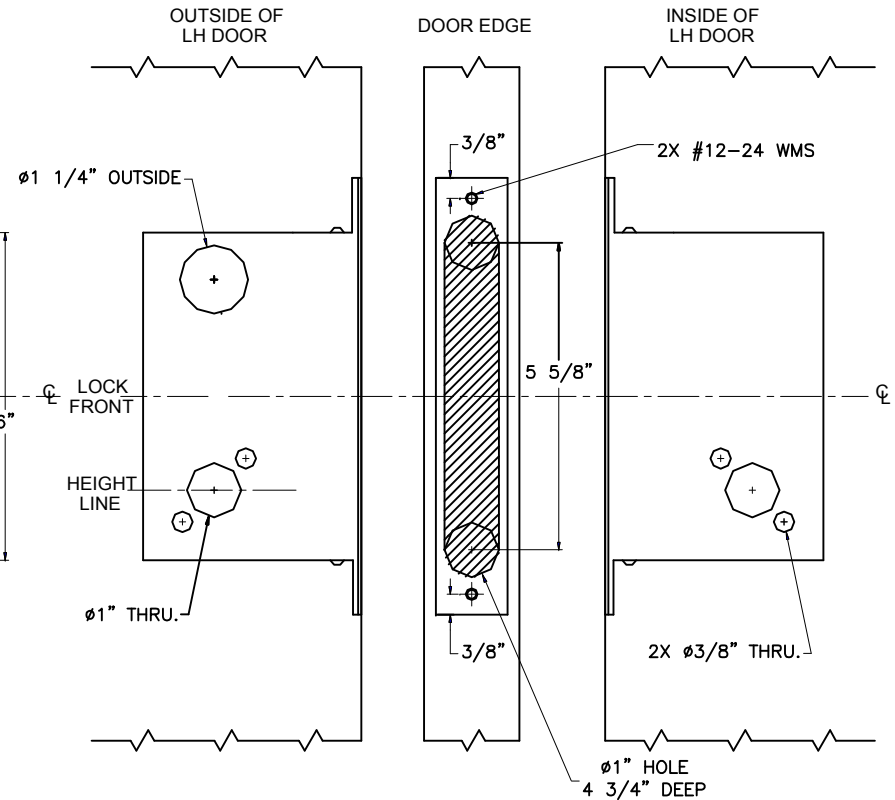
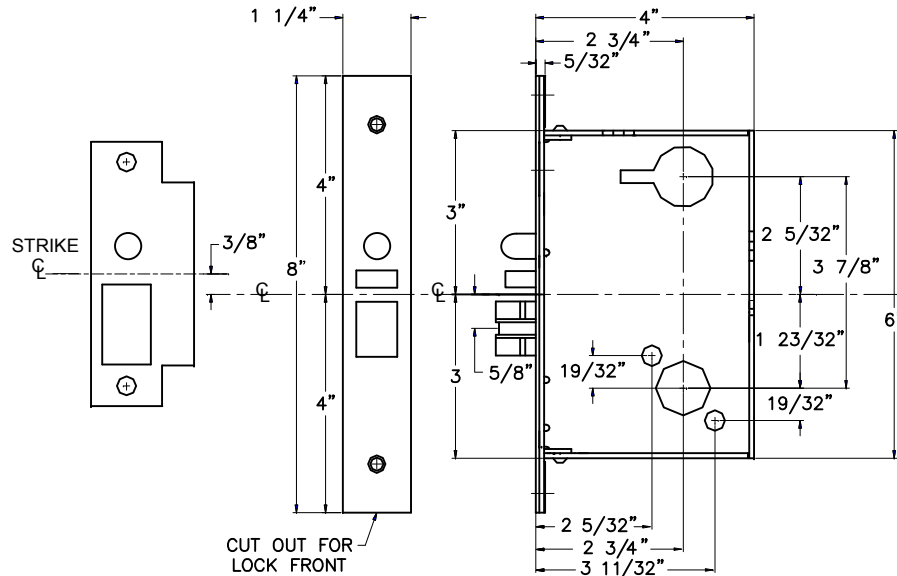
COMMON CENTER LINE
 LOCK, STRIKE, DOOR.



DOOR DETAIL

MEASURE BACKSET FROM ϕ DOOR EDGE

SEE FRAME DETAIL





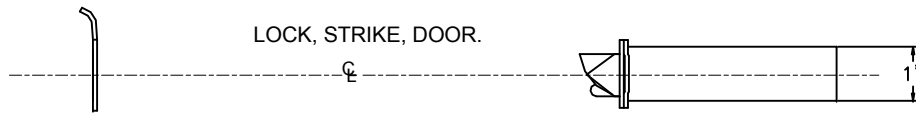
SECURITY DOOR CONTROLS

801 Avenida Acaso, Camarillo, Ca. 93012 • (805) 494-0622 • Fax: (805) 494-8861
 www.sdcsecurity.com • E-mail: service@sdsecurity.com

HITOWER Z7500 SERIES TEMPLATE ROSE TRIM, METAL DOOR, PREP. FLAT OR BEVELED, HOLLOW METAL DOORS

FUNCTION	OUTSIDE			INSIDE		
	LEVER HOLE	CYLINDER HOLE	THUMBTURN HOLE	LEVER HOLE	CYLINDER HOLE	THUMBTURN HOLE
Z7550	●	●		●		
Z7530	●	●		●	●	
Z7570	●	●		●		
Z7560	●	●		●	●	

LOCK DETAIL



DOOR DETAIL

MEASURE BACKSET FROM ϕ DOOR EDGE

