

NOTE: TEMPLATE DIMENSIONS ARE SUBJECT TO CHANGE WITHOUT NOTICE.

TECHNICAL DATA (FOR STANDARD UNIT)

FACE PLATE: 8" x 1-1/2" x 1/8"

STRIKE: 4" x 1-1/2" x 1/8"

ID REQUIREMENTS: 8" x 1-1/2" x 1-1/2"

BOLT: 5/8" DIA. SOLID STAINLESS STEEL

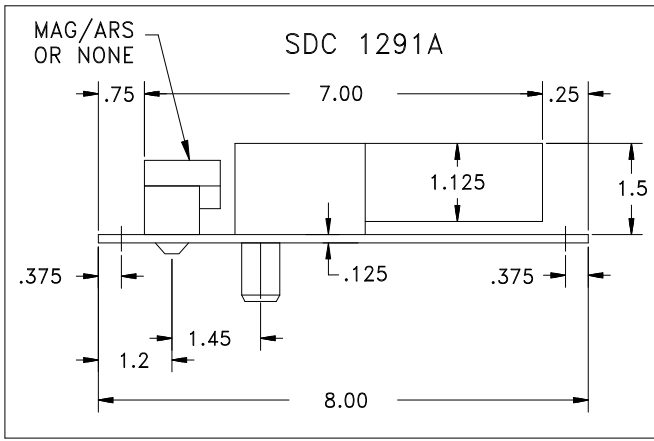
BOLT THROW: 3/4"

	Security Door Controls
	801 Avenida Acaso,
	Camarillo, CA 93012
	(805) 494-0622
	Fax: (805) 494-8861
www.sdcsecurity.com	
E-mail: service@sdcsecurity.com	

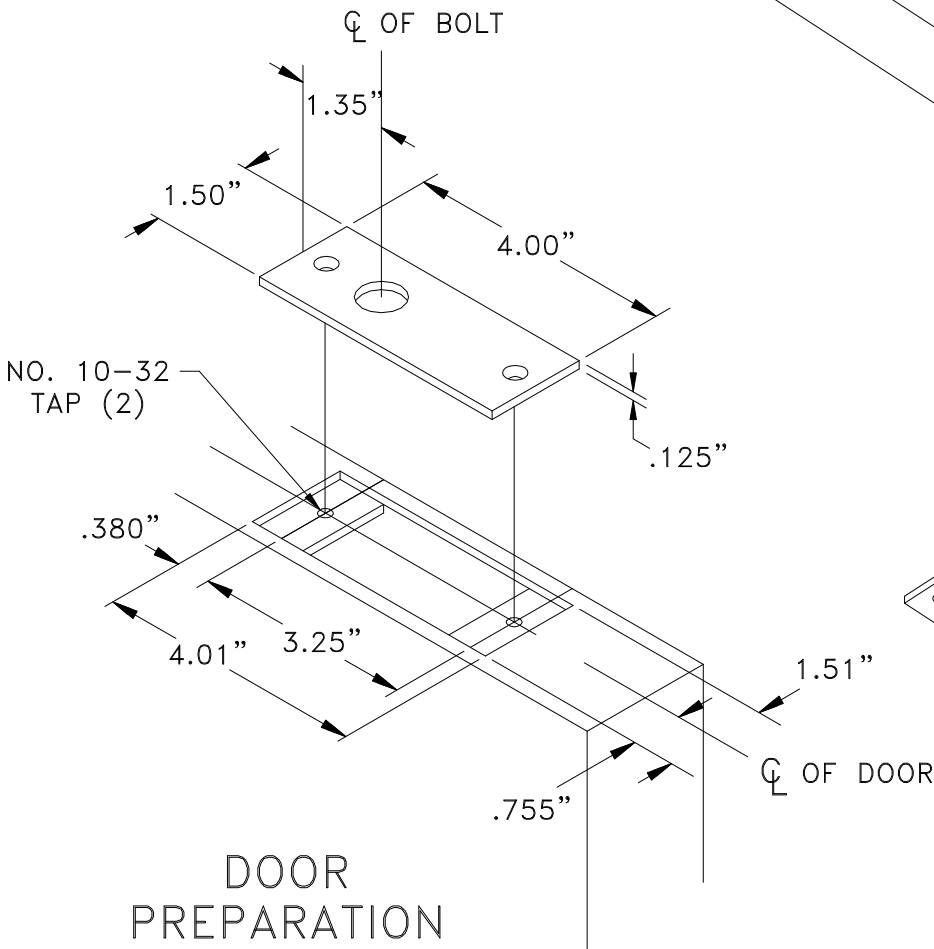
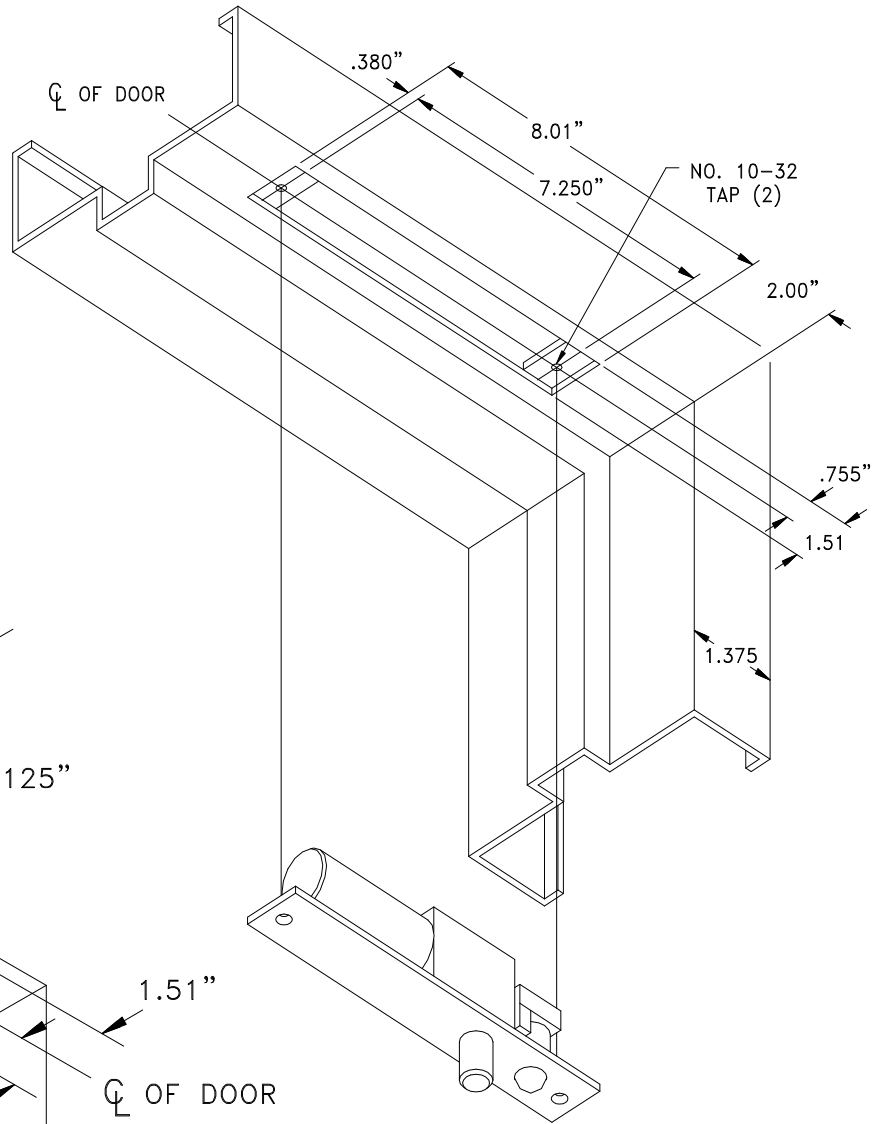
**TEMPLATE
1091A**

ORIG. DATE
06-18-84

DRAWING
2755



NOTE: CONSULT FACTORY FOR WOOD INSTALLATION.
NOTE: TEMPLATE DIMENSIONS ARE SUBJECT TO CHANGE WITHOUT NOTICE.



DOOR PREPARATION

TECHNICAL DATA (FOR STANDARD UNIT)

FACE PLATE: 8" x 1-1/2" x 1/8"

STRIKE: 4" x 1-1/2" x 1/8"

ID REQUIREMENTS: 8" x 1-1/2" x 1-1/2"

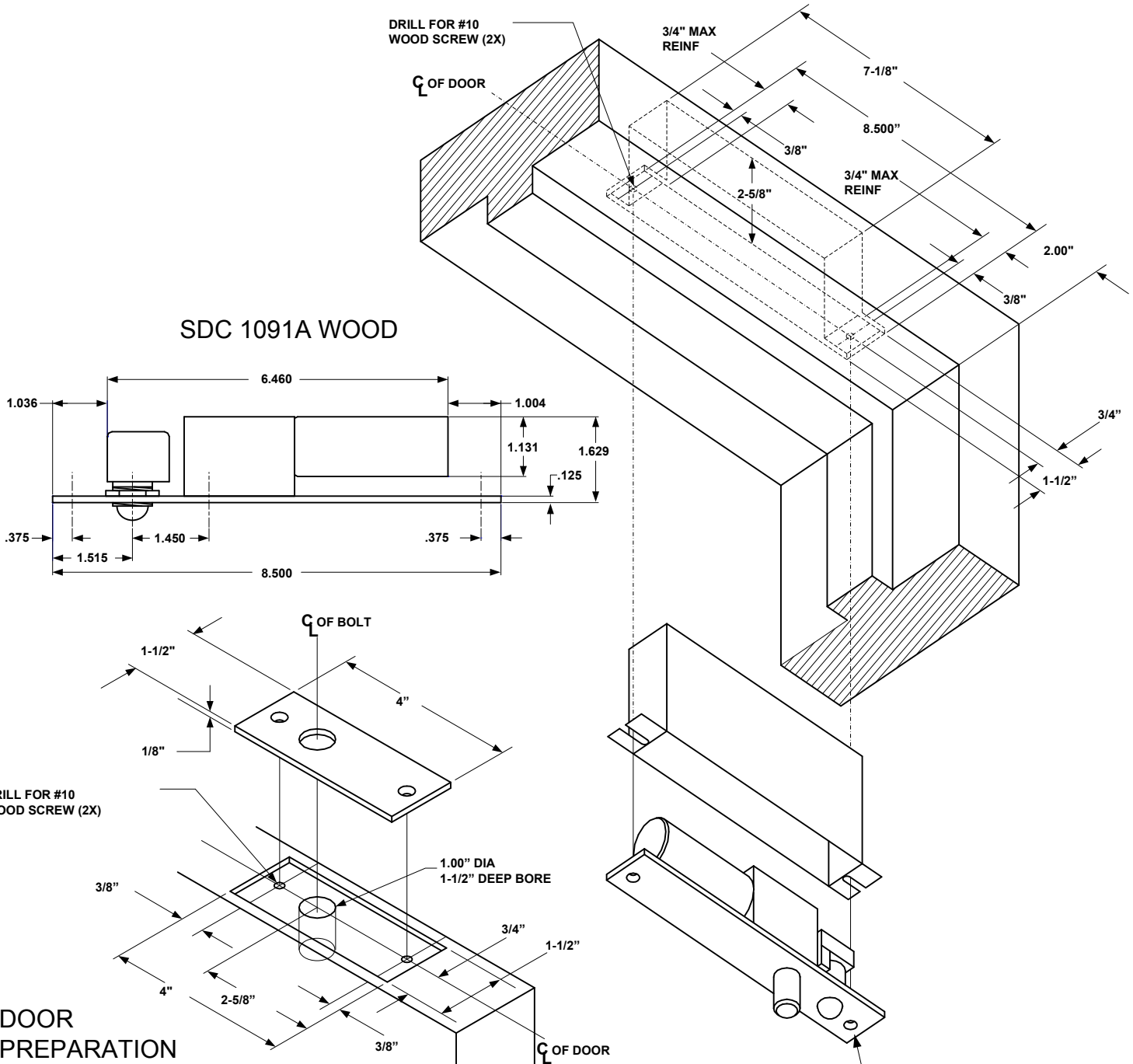
BOLT: 5/8" DIA. SOLID STAINLESS STEEL

BOLT THROW: 3/4"

	Security Door Controls 801 Avenida Acaso, Camarillo, CA 93012 (805) 494-0622 Fax: (805) 494-8861 www.sdcsecurity.com E-mail: service@sdcsecurity.com
	<p>TEMPLEATE</p> <p>1291A</p>

<p>TEMPLEATE</p> <p>1291A</p>	<p>ORIG. DATE 08-95</p> <p>DRAWING 1736A</p>
---	--

NOTE: ELECTRICAL BOX #1000EB REQUIRED FOR WOOD APPLICATION.
NOTE: TEMPLATE DIMENSIONS ARE SUBJECT TO CHANGE WITHOUT NOTICE.



WHEN INSTALLED VERTICALLY, THIS END UP.
 WHEN INSTALLED HORIZONTALLY THIS END NEAR LOCK STILE

TECHNICAL DATA (FOR STANDARD UNIT)
FACE PLATE: 8-1/2" x 1-1/2" x 1/8"
STRIKE: 4" x 1-1/2" x 1/8"
ID REQUIREMENTS: 7-1/8" x 1-1/2" x 2-5/8"
BOLT: 5/8" DIA. SOLID STAINLESS STEEL
BOLT THROW: 3/4"

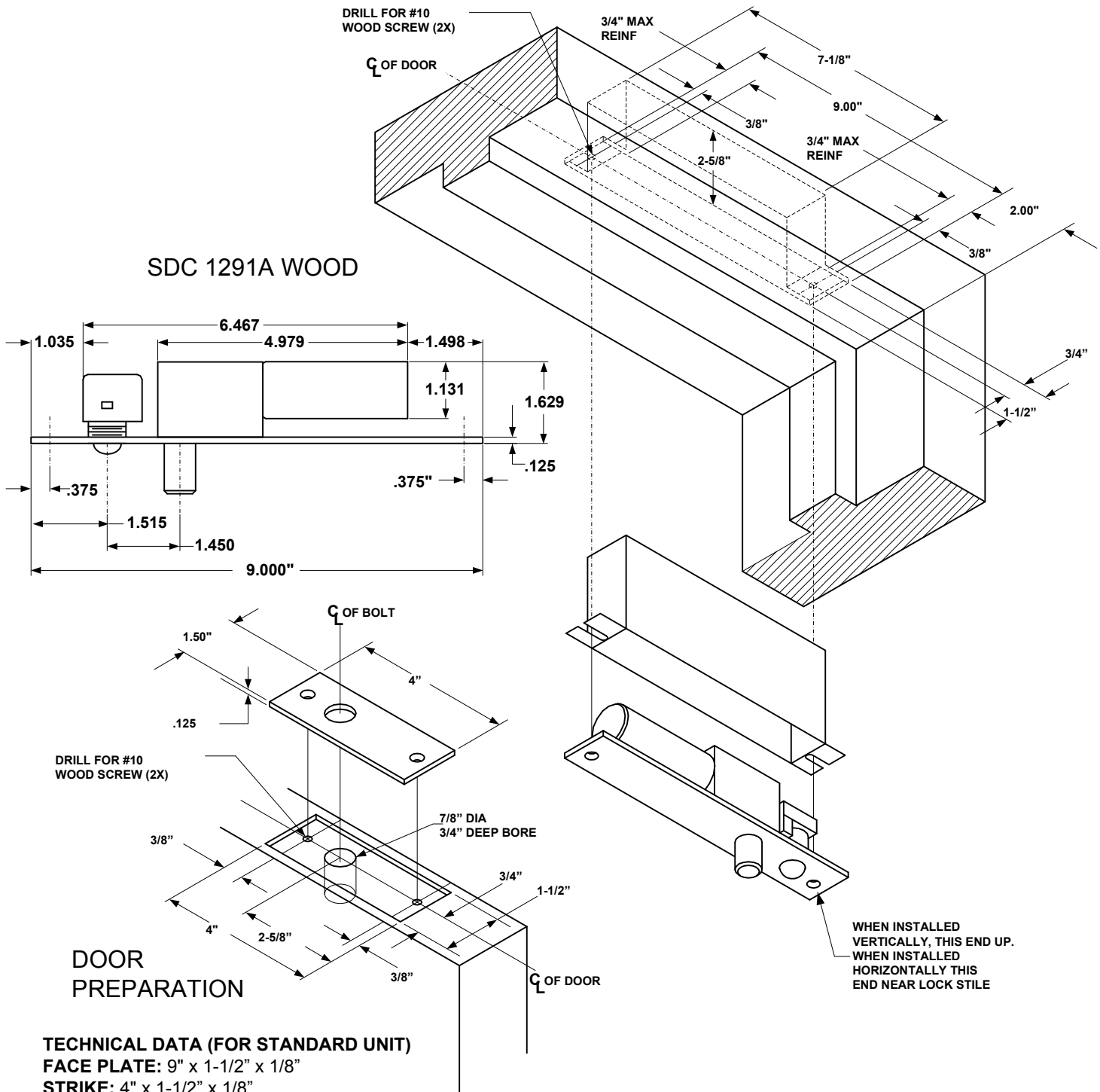
	Security Door Controls 801 Avenida Acaso, Camarillo, CA 93012 (805) 494-0622 Fax: (805) 494-8861 www.sdcsecurity.com E-mail: service@sdcsecurity.com
	Security Door Controls 801 Avenida Acaso, Camarillo, CA 93012 (805) 494-0622 Fax: (805) 494-8861 www.sdcsecurity.com E-mail: service@sdcsecurity.com

TEMPLATE
 1091A WOOD


ORIG. DATE
 12/2/99
DRAWING
 2853

Any suggestions or comments to this instruction or product are welcome. Please contact us through our website or email engineer@sdsecurity.com

NOTE: ELECTRICAL BOX #1000EB REQUIRED FOR WOOD APPLICATION.
NOTE: TEMPLATE DIMENSIONS ARE SUBJECT TO CHANGE WITHOUT NOTICE.



TECHNICAL DATA (FOR STANDARD UNIT)
FACE PLATE: 9" x 1-1/2" x 1/8"
STRIKE: 4" x 1-1/2" x 1/8"
ID REQUIREMENTS: 7-1/8" x 1-1/2" x 2-5/8"
BOLT: 5/8" DIA. SOLID STAINLESS STEEL
BOLT THROW: 3/4"

	Security Door Controls 801 Avenida Acaso, Camarillo, CA 93012 (805) 494-0622 Fax: (805) 494-8861 www.sdcsecurity.com E-mail: service@sdcsecurity.com	<h1>TEMPLATE</h1> <h1>1291A WOOD</h1>	ORIG. DATE 12/20/00 DRAWING 3213
	P:\INSTALLATION INSTElectric Bolt Locks\TEMP-1291A WOOD\Temp-1291A WOOD.vsd REV D 10-08 Page 1		

Any suggestions or comments to this instruction or product are welcome. Please contact us through our website or email engineer@sdsecurity.com