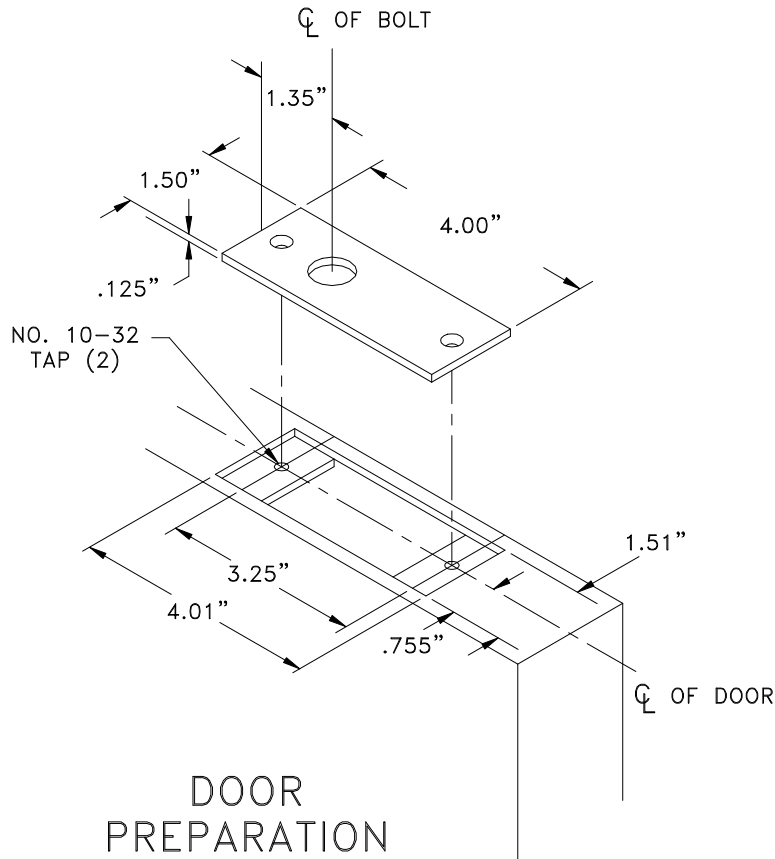
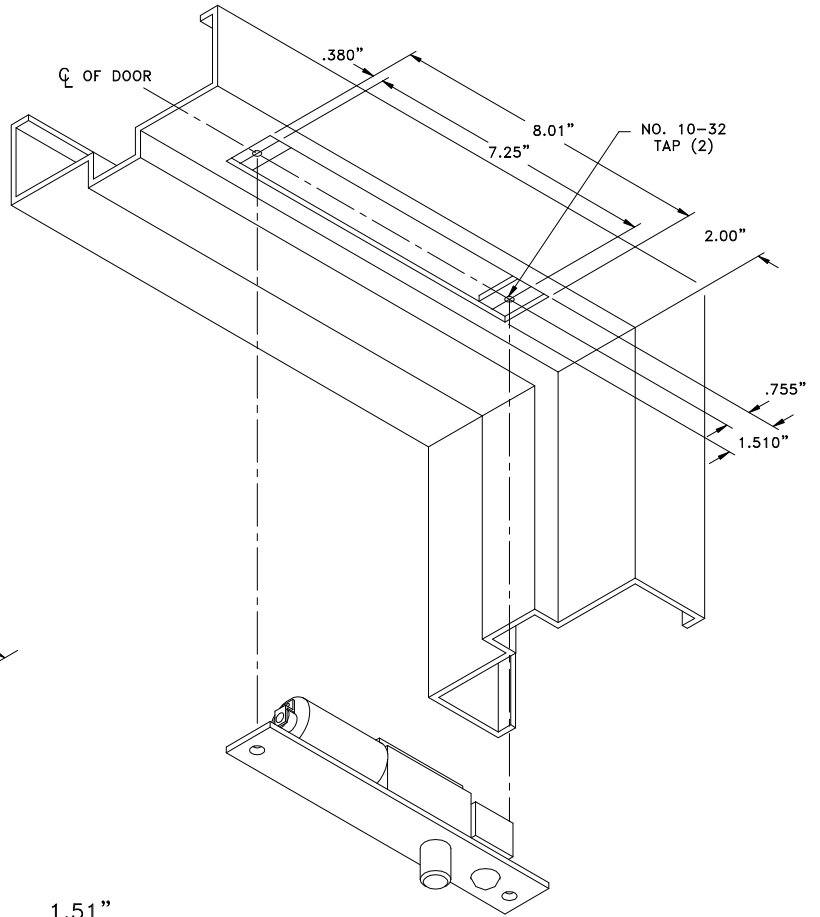


**NOTE: FOR WOOD INSTALLATION CONSULT FACTORY.**  
**NOTE: TEMPLATE DIMENSIONS ARE SUBJECT TO CHANGE WITHOUT NOTICE.**



**TECHNICAL DATA (FOR STANDARD UNIT)**

**FACE PLATE:** 8" x 1-1/2" x 1/8"

**STRIKE:** 4" x 1-1/2" x 1/8"

**ID REQUIREMENTS:** 8" x 1-1/2" x 1-1/2"

**BOLT:** 3/4" DIA. SOLID STAINLESS STEEL

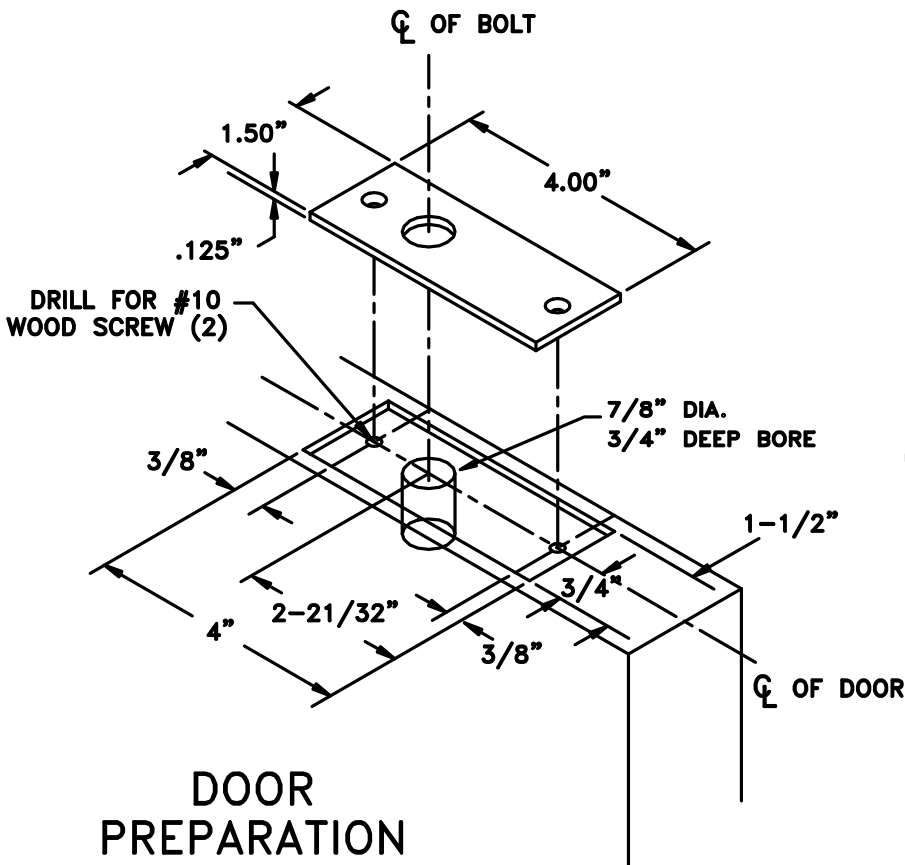
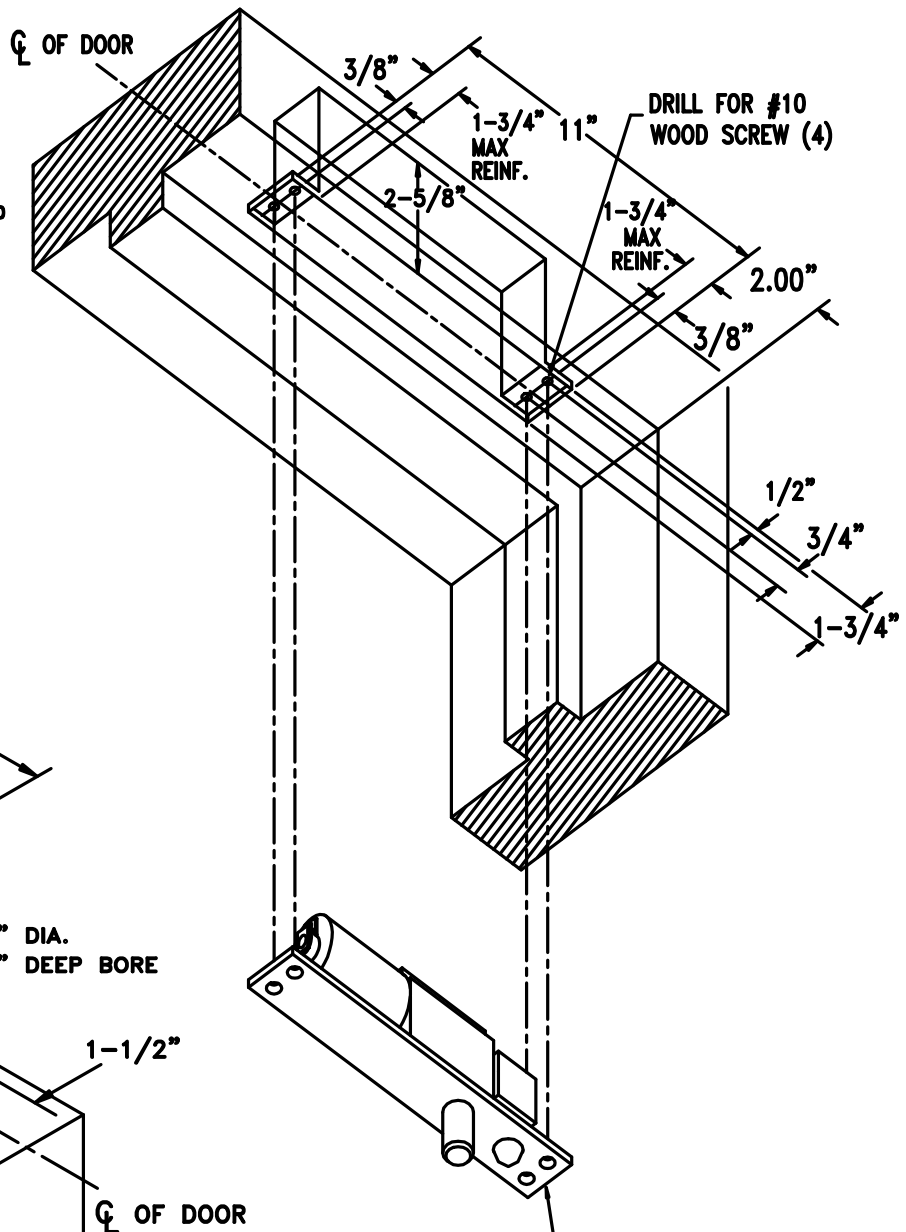
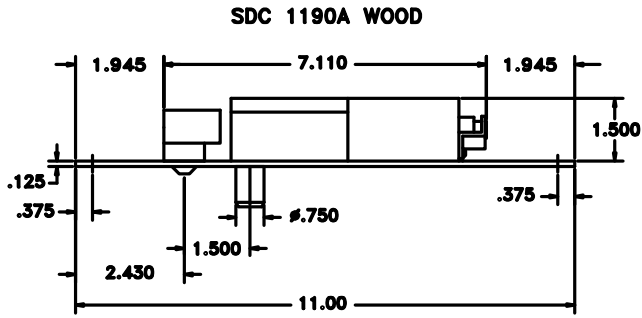
**BOLT THROW:** 3/4", ROTATING

**Security Door Controls**  
 3580 Willow Lane  
 Westlake Village, CA 91359  
 (805) 494-0622  
 Fax: (805) 494-8861  
 www.sdcsecurity.com  
 E-mail: service@sdcsecurity.com

**TEMPLATE**  
**1190A**

**ORIG. DATE**  
 03-19-01

**DRAWING**  
 3293



**WHEN INSTALLED VERTICALLY  
THIS END UP.  
WHEN INSTALLED HORIZONTALLY  
THIS END NEAR LOCK STILE**

## DOOR PREPARATION

**NOTE: TEMPLATE DIMENSIONS ARE SUBJECT TO CHANGE WITHOUT NOTICE.**

### TECHNICAL DATA (FOR STANDARD UNIT)

**FACE PLATE:** 11" x 1-3/4" x 1/8"

**STRIKE:** 4" x 1-1/2" x 1/8"

**BOLT:** 3/4" DIA. SOLID STAINLESS STEEL

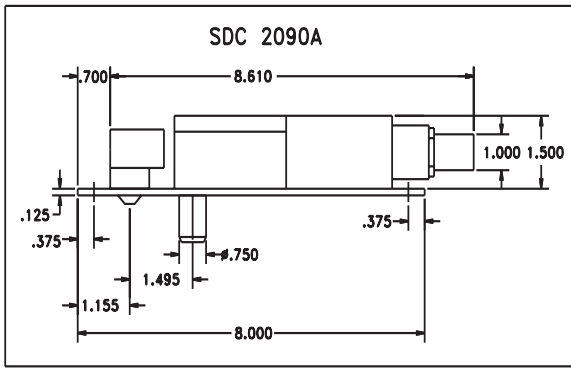
**BOLT THROW:** 3/4", ROTATING

	<b>Security Door Controls</b> 3580 Willow Lane Westlake Village, CA 91359 (805) 494-0622 Fax: (805) 494-8861 www.sdcsecurity.com E-mail: service@sdcsecurity.com
---	--

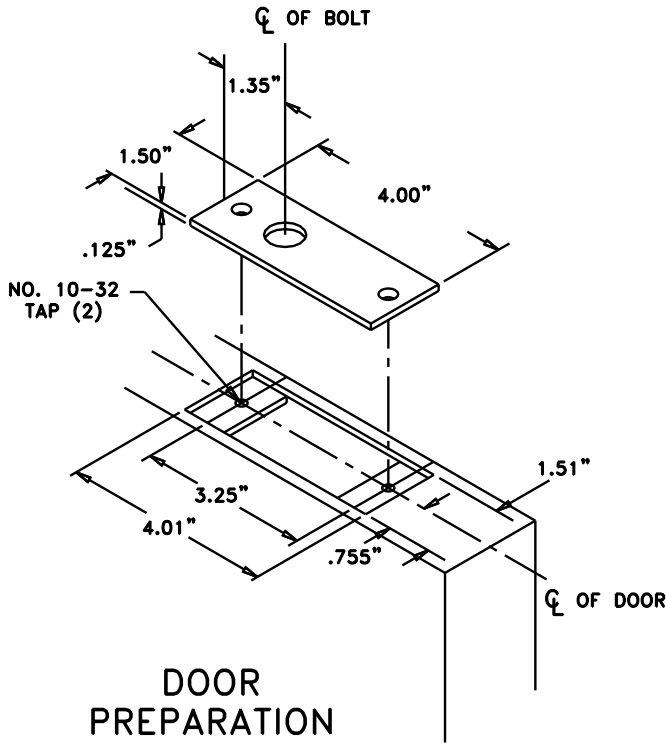
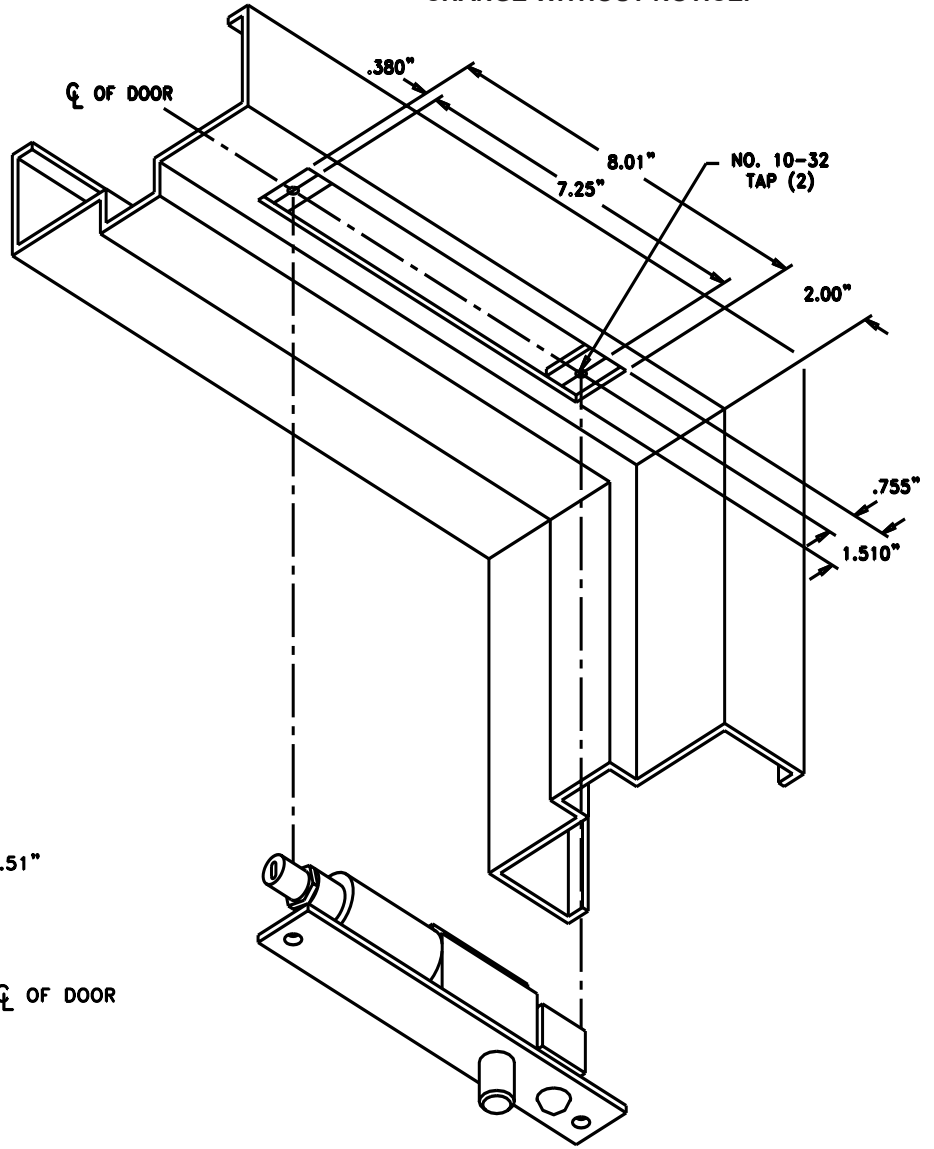
# TEMPLATE 1190A WOOD

**ORIG. DATE**  
06-21-02

**DRAWING**  
3969



NOTE: TEMPLATE DIMENSIONS ARE SUBJECT TO CHANGE WITHOUT NOTICE.



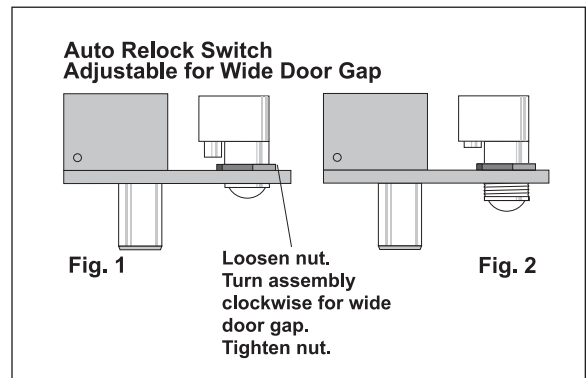
**TECHNICAL DATA (for standard unit)**

- FACE PLATE:** 8" X 1 1/2" X 1/8"
- STRIKE:** 4" X 1 1/2" X 1/8"
- ID REQUIREMENTS:** 10" X 1 1/2" X 1 1/2"
- FINISH:** US28 STANDARD (PLATED FINISHES OPTIONAL)
- BOLT:** 3/4" DIA. SOLID STAINLESS STEEL
- BOLT THROW:** 3/4", ROTATING
- FAIL-SECURE - UNLOCKED WHEN ENERGIZED**
- AUTO RELOCK SWITCH:** ADJUSTABLE BALL TYPE
- SOLENOID:** CONTINUOUS DUTY

**ELECTRICAL DATA:**

- INRUSH 90 WATTS - 3.7 AMPS MAX
- SEATED 12 WATTS - .5 AMP MAX @ 24VDC
- A RECTIFIER IS SUPPLIED FOR AC OPERATION
- (SPECIFY VOLTAGE REQUIRED)

**STATUS SENSORS:** BOLT AND DOOR POSITION (OPTIONAL)



Security Door Controls  
 3580 Willow Lane  
 Westlake Village, CA 91359  
 (805) 494-0622  
 Fax: (805) 494-8861  
 www.sdcsecurity.com  
 E-mail: service@sdcsecurity.com

**TEMPLATE  
 2090A**

DATE  
 3/19/01

DRAWING  
 3292