

NOTE: TEMPLATE DIMENSIONS ARE SUBJECT TO CHANGE WITHOUT NOTICE.

TECHNICAL DATA (FOR STANDARD UNIT)

FACE PLATE: 8" x 1-1/4" x 1/8"

STRIKE: 4" x 1-1/2" x 1/8"

ID REQUIREMENTS: 8" x 1-1/2" x 1-3/8"

BOLT: 5/8" DIA. SOLID STAINLESS STEEL

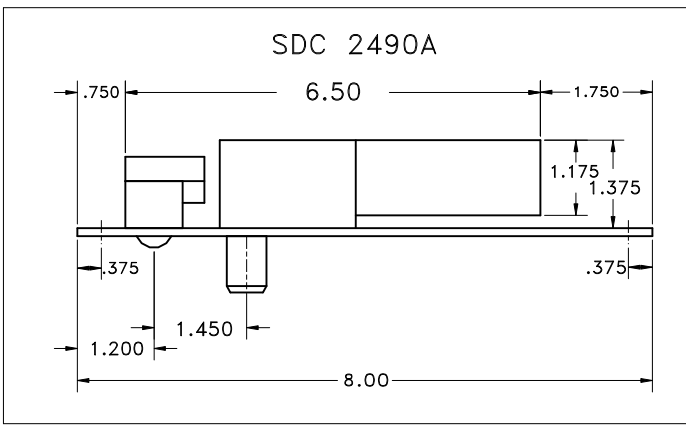
BOLT THROW: 1/2"

	Security Door Controls 3580 Willow Lane Westlake Village, CA 91359 (805) 494-0622 Fax: (805) 494-8861 www.sdcsecurity.com E-mail: service@sdcsecurity.com
	<p>TEMP-1490A</p>

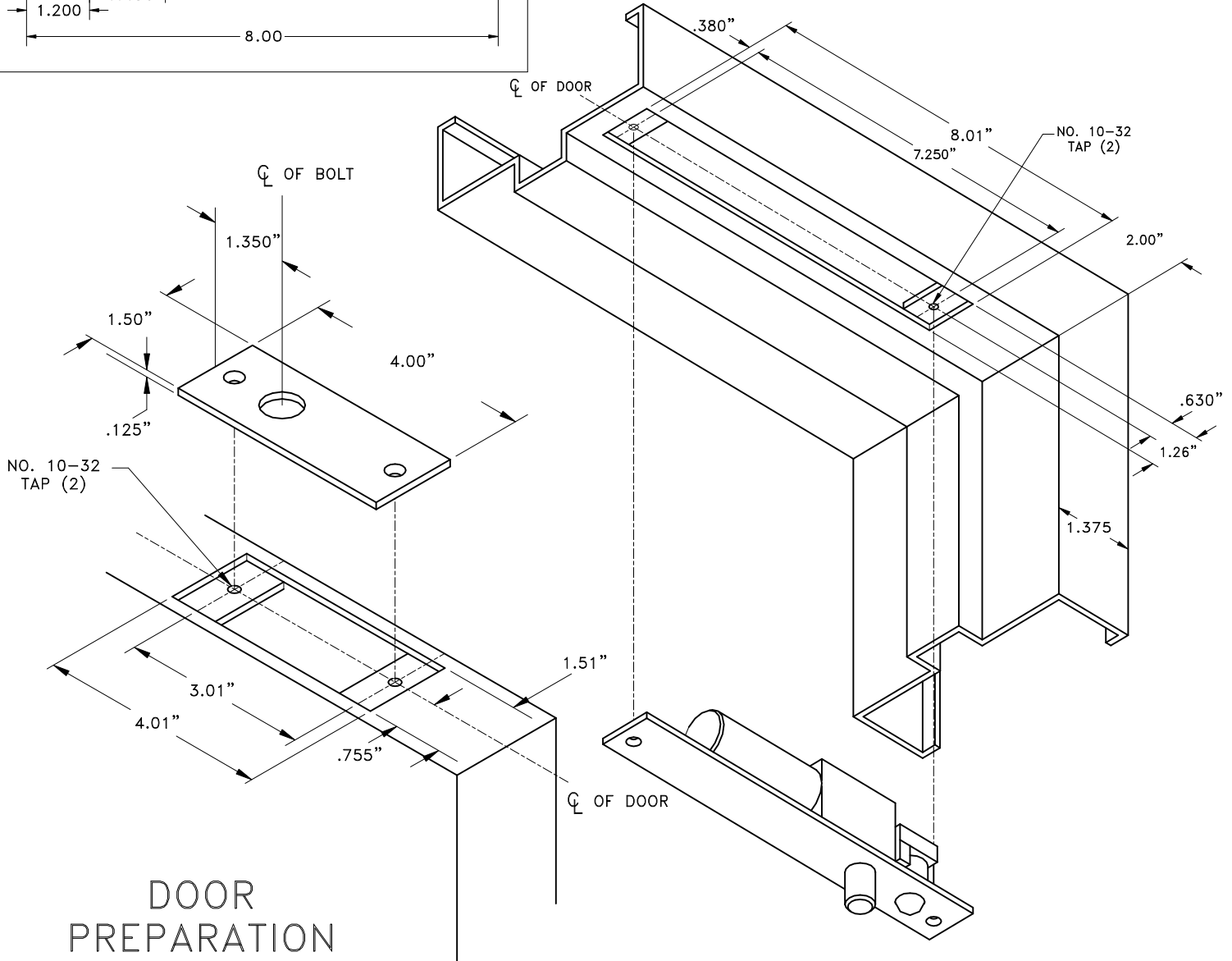
TEMPLATE
1490A

ORIG. DATE
08-95

DRAWING
784



**NOTE: CONSULT FACTORY FOR WOOD INSTALLATION.
NOTE: TEMPLATE DIMENSIONS ARE SUBJECT TO CHANGE
WITHOUT NOTICE.**



**DOOR
PREPARATION**

TECHNICAL DATA (FOR STANDARD UNIT)

FACE PLATE: 8" x 1-1/4" x 1/8"

STRIKE: 4" x 1-1/2" x 1/8"

ID REQUIREMENTS: 8" x 1-1/4" x 1-3/8"

BOLT: 5/8" DIA. SOLID STAINLESS STEEL

BOLT THROW: 1/2"

	Security Door Controls
	3580 Willow Lane
	Westlake Village, CA 91359
	(805) 494-0622
	Fax: (805) 494-8861
www.sdcsecurity.com	
E-mail: service@sdcsecurity.com	

**TEMPLATE
2490A**

ORIG. DATE
02-01

DRAWING
2373