



Security Door Controls

3580 Willow Lane, Westlake Village, CA 91361-4921 • (805) 494-0622 • Fax: (805) 494-8861
www.sdcsecurity.com • E-mail: service@sdsecurity.com

INSTALLATION/PROGRAMMING INSTRUCTIONS E4KP ENTRYCHECK™



The E4KP EntryCheck™ is a fully self-contained proximity access control reader. It is keypad programmable and does not require software or a PC connection.

Features

- HID compatible Proximity Reader
- Up to 3" read range with ProxCARD II
- Weather resistant reader enclosure
- Memory capacity stores up to 650 user cards
- Cost-effective solution for access control and personnel management
- Access mode selectable
 1. Proximity card only
 2. Proximity card + PIN
- Master code for programming functions
- Main password function
- Security password function
- Forced entry alarm
- Door prop alarm
- Duress output
- User card can be registered/deleted in single or batch mode (with consecutive numbers)
- Reader Lockout activated when the wrong card is presented more than five times
- Lock and alarm output relays programmable 1-99 seconds or on-off latching
- Separate remotely located relay module for for higher security

Optional Cards & Key Fobs

- Part# **HID1326-10** – (10) Prox Cards, HID ProxCARD II
- Part# **HID1346-10** – (10) Prox Key Fobs, HID ProxKey II

HID ProxCARD® II & ProxKey® II are registered trademarks of HID Corporation



FACTORY DEFAULTS

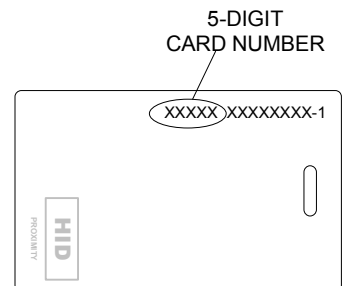
System Setup Password.....	111111 (6 digits)
Door Open Password.....	1234 (4 digits)
Door Open Mode.....	Read card
Reading Card Data Format.....	Low weight 24Bits
Patrol Password.....	1234567 (7 digits)
Duress Password.....	Door open password or PIN + 9 (5 digits)
Shunt Function.....	Disabled
Anti-Duress Function.....	Disabled
Patrol function.....	Disabled
Force Entry Alarm.....	Disabled
Door Prop Alarm Detection Time.....	0 SEC (00 = Disabled)
Door Prop Alarm.....	Disabled
Password Error over 5 times (keypad lockout for 1 min) OR PIN Error over 5 times (deletes the cardholder).....	Disabled
Patrol Relay Active Time.....	1 SEC (fixed)
Strike Relay Active Time.....	5 SEC (00 = LATCH mode)
Alarm Relay Active Time.....	10 SEC (00 = non-stop alarm)
Anti-Duress/Shunt Active Time.....	1 SEC
Door Sensor Configuration Detection.....	Normally Open

QUICKSTART PROGRAMMING INSTRUCTIONS

Before enrolling any cards, the default Door Open Password (**1234 + #**) may be used to activate the Strike Relay. Once a card is enrolled, the Door Open Password will no longer function.

The following commands will program a specified number of sequential HID cards, and will set the strike relay time to 5 seconds. You will need the first card in the sequence. This is the card with the lowest card number (see below)

<u>Command</u>	<u>LED Indicator</u>
Press 11111 + #	{Alternating Red & Green LED}
Press 5 + #	{Fast alternating Red & Green LED}
Present the first card in the sequence	{Flashing Red}
Enter the total number of cards + #	{Fast alternating Red & Green LED}
Press # twice.	{Solid Red LED – Normal Standby Mode}
Present any of the cards to the reader.	{Solid Green LED – Strike Relay Active}



BASIC OPERATION

The E4KP has two programmable entry modes:

- Mode 1 (Default) – Card Only
- Mode 2 – Card (or Enter Card Number) & PIN

In Normal Standby Mode, the LED on the E4KP will be Solid Red. When the Strike Relay is active, the LED will be Solid Green.

To Open the Door using an HID card or fob (in Mode 1),

Present a valid card or fob within a couple of inches of the reader {Solid Green LED}

To Open the Door using an HID card or fob (in Mode 2),

Present a valid card or fob within a couple of inches of the reader {Slow Flashing Red LED}

Enter the 4-digit PIN + # {Solid Green LED}

BASIC PROGRAMMING

Entering Programming Mode

Before ANY cards have been enrolled,

Enter the System Setup Password + # {Alternating Red & Green LED}

NOTE: Default System Setup Password is 111111

After a card or card number has been enrolled, (First card programmed is your programming card)

Enter the System Setup Password + # {Fast flashing Red}

Present first card programmed (programming card OR (Enter programming card number + #) {Alternating Red & Green LED}

Exiting Programming Mode

Press # until the E4KP displays a steady Red LED. (Normal Standby Mode)

NOTE: The E4KP will automatically exit Programming Mode after 10 Seconds of inactivity

Set Strike (Main) Relay Time (Default = 5 Sec)

Enter Programming Mode {Alternating Red & Green LED}

Press 1 + [00-99 seconds] + # {Alternating Red & Green LED}

NOTE: 00 = Latching Mode

Press # to exit programming. {Solid Red LED}

Set Entry Mode (Default is Card OR Card Number)

Enter Programming Mode {Alternating Red & Green LED}

Choose the mode of entry you require & enter the adjacent command: {Alternating Red & Green LED}

Mode 1 – Card Only, Press * + 1 + #

Mode 2 – Card (or Enter Card Number) & PIN, Press * + 2 + #

Press # to exit Programming {Solid Red LED}

CARD OR KEY FOB ENROLLMENT

IMPORTANT: It is highly recommended that an administrator keep a log of the Card/Key Fob numbers, and who they are assigned to. The 5-digit card/fob number can typically be found on one side of the HID Card or Fob (See Pg. 2). If a card ever needs to be deleted, you will need the card or the card number.

Adding a Single Card OR Card Number

Enter Programming Mode {Alternating Red & Green LED}

Press 4 + # {Fast, alternating Red & Green LED}

Present Card OR Enter the Card Number (0 – 65535) + # {Flashing Red LED}

Key in a 4-digit PIN + # (If you do not want to enter a PIN, just Press #) {Fast alternating Red & Green LED}

NOTE: If you choose not to enter a PIN number, the PIN will be set to '0000'.

Present the next card to be entered or Press # to exit card enrollment {Alternating Red & Green LED}

Press # again to exit Programming {Solid Red LED}

Adding a Batch of Sequential Cards

Enter Programming Mode {Alternating Red & Green LED}

Press 5 + # {Fast, alternating Red & Green LED}

Present the first sequential card {Flashing Red LED}

Enter the total number of cards + # {Fast, alternating Red & Green LED}

Present the first card of another sequence or Press # to exit card enrollment {Alternating Red & Green LED}

NOTE: The PIN number for all cards enrolled in batch mode is '0000'.

Press # again to exit Programming {Solid Red LED}

Deleting a Single Card OR Card Number

Enter Programming Mode {Alternating Red & Green LED}

Press 6 + # {Fast, alternating Red & Green LED}

Present Card OR (Enter the Card Number + #) {Fast, alternating Red & Green LED}

Present/Enter another Card to delete or Press # to exit card deletion {Alternating Red & Green LED}

Press # again to exit Programming {Solid Red LED}

PROGRAMMING OPTIONS

Set Alarm Relay Time (Default = 5 sec)

Enter Programming Mode *{Alternating Red & Green LED}*
Press 2 + [00-99 seconds] + # *{Alternating Red & Green LED}*
Press # to exit Programming *{Solid Red LED}*

NOTE: The Alarm Relay is used for Forced Door & Door Prop alarms. 00 = Non-stop alarm – Reset by using a valid card.

Enable Forced Door Alarm Relay (Default = Force Door Disabled)

Enter Programming Mode *{Alternating Red & Green LED}*
To enable, Press 841 + # *{Alternating Red & Green LED}*
To disable, Press 840 + # *{Alternating Red & Green LED}*
Press # to exit Programming *{Solid Red LED}*

NOTE: A Door Position Sensor must be installed.

Enable & Set Door Prop Time (Default = Door Prop Disabled)

Enter Programming Mode *{Alternating Red & Green LED}*
To enable, Press 881 + # *{Alternating Red & Green LED}*
Press 3 + [01-99 seconds] + # (sets Door Prop Time; Default = 00) *{Alternating Red & Green LED}*
To disable, Press 880 + # *{Alternating Red & Green LED}*
Press 300 + # *{Alternating Red & Green LED}*
Press # to exit Programming *{Solid Red LED}*

NOTE: A Door Position Sensor must be installed. Relay will remain activated until the door closes OR the Alarm Relay time expires, whichever occurs first.

Set Shunt Relay Time (Default = Shunt Disabled)

With the Shunt Relay Enabled, the Auxiliary (K3) Relay will activate simultaneously with the Strike Relay:

Enter Programming Mode *{Alternating Red & Green LED}*
To enable, Press 812 + # *{Alternating Red & Green LED}*
Press 0 + [01-99 seconds] + # (sets Shunt Relay Time; Default = 01) *{Alternating Red & Green LED}*
To disable, Press 810 + # *{Alternating Red & Green LED}*
Press # to exit Programming *{Solid Red LED}*

NOTE: DIP SWITCH 1 on the E5RM control module, must be ON. Shunt cannot be used if Anti-Duress is enabled.

Set Anti-Duress Relay Time (Default = Anti-Duress Disabled)

With the Anti-Duress Relay Enabled, the Auxiliary (K3) Relay will activate when the Door Open Password (See Factory Defaults) OR a User's PIN (*Entry Mode 2 ONLY*), is entered, followed by a '9':

Enter Programming Mode *{Alternating Red & Green LED}*
To enable, Press 811 + # *{Alternating Red & Green LED}*
Press 0 + [01-99 seconds] + # (sets Duress Relay Time; Default = 01) *{Alternating Red & Green LED}*
To disable, Press 810 + # *{Alternating Red & Green LED}*
Press # to exit Programming *{Solid Red LED}*

NOTE: DIP SWITCH 1 on the E5RM control module, must be ON. Anti-Duress cannot be used if Shunt is enabled.

Enable Reader Lockout (Default = Disabled)

Enabling this function will do the following:

1. If an invalid card or card number is used (5) times in a row, this option will "Lockout" the keypad for approx. 1 minute.
2. In *Entry Mode 2*, if an invalid PIN number is entered over (5) times, the card will automatically be deleted.

Enter Programming Mode *{Alternating Red & Green LED}*
To enable, Press 851 + # *{Alternating Red & Green LED}*
To disable, Press 850 + # *{Alternating Red & Green LED}*
Press # to exit Programming *{Solid Red LED}*

Set Door Status Sensor Configuration (Default = Normally Open)

Enter Programming Mode *{Alternating Red & Green LED}*
For Normally Closed, Press 861 + # *{Alternating Red & Green LED}*
For Normally Open, Press 860 + # *{Alternating Red & Green LED}*
Press # to exit Programming *{Solid Red LED}*

PROGRAMMING OPTIONS (CONTINUED)

Change a User's PIN (Entry Mode 2 Only)

Press * + 2 + # + Present Card OR (Enter Card Number + #) {Flashing Red LED}

Enter old 4-digit PIN + # {Flashing Red LED}

Enter new 4-digit PIN + # {Solid Red LED}

NOTE: It is NOT required to enter Programming Mode to change a PIN.

Clear Memory / Reset to Default Settings

Enter Programming Mode {Alternating Red & Green LED}

Press 99999999 + # {Green LED will flash rapidly, then Alternating Red & Green LED}

Press # to exit Programming {Solid Red LED}

Change Default Passwords

Enter Programming Mode {Alternating Red & Green LED}

To change System Setup Password (Default = 111111),

Press * + New 6-digit Password + # {Alternating Red & Green LED}

To change Door Open Password (Default = 1234),

Press * + New 4-digit Password + # {Alternating Red & Green LED}

To change Patrol Password (Default = 1234567)

Press * + New 7-digit Password + # {Alternating Red & Green LED}

Press # to exit Programming {Solid Red LED}

Enable Patrol Function (Default = Patrol Function Disabled)

With this feature enabled, entering the Patrol Password will send a 1 second pulse on the Auxiliary (K3) Relay:

Enter Programming Mode {Alternating Red & Green LED}

Press 831 + # (enables Patrol Function, use 830 + #) {Alternating Red & Green LED}

Press # to exit Programming {Solid Red LED}

NOTE: DIP SWITCH 3 on the E5RM control module, must be ON.

SPECIFICATIONS

Keypad – Model E4KP

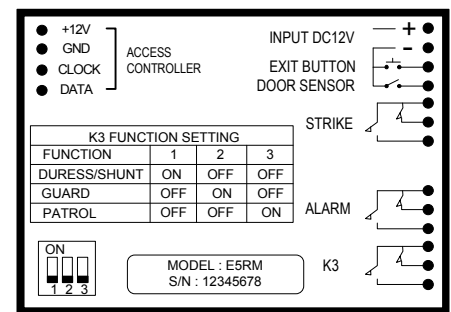
Operating Voltage:	10V – 15V DC
Power Consumption:	120mA Max @ 12VDC
Frequency:	125KHz
Read Range:	Up to 3" (Card, In noise-free environment)
Keyboard:	12 Keys (0~9, *, #), Membrane Keys
Indicator:	Dual Color LED (Green/Red)
Memory (User) Capacity:	670 Cardholders
Card Format:	HID Compatible 125KHz
Cable Length:	1 Ft.
Dimensions:	3" W x 4-3/8" H x 0.9" D (75 x 112 x 23 mm)
Weight:	8.5 ounces
Operating Temperature:	32°F – 122°F (0°C – 50°C)
Humidity:	30% ~ 95% (Non-condensing)



**KEYPAD –
MODEL E4KP**

Controller Relay Module – Model E5RM

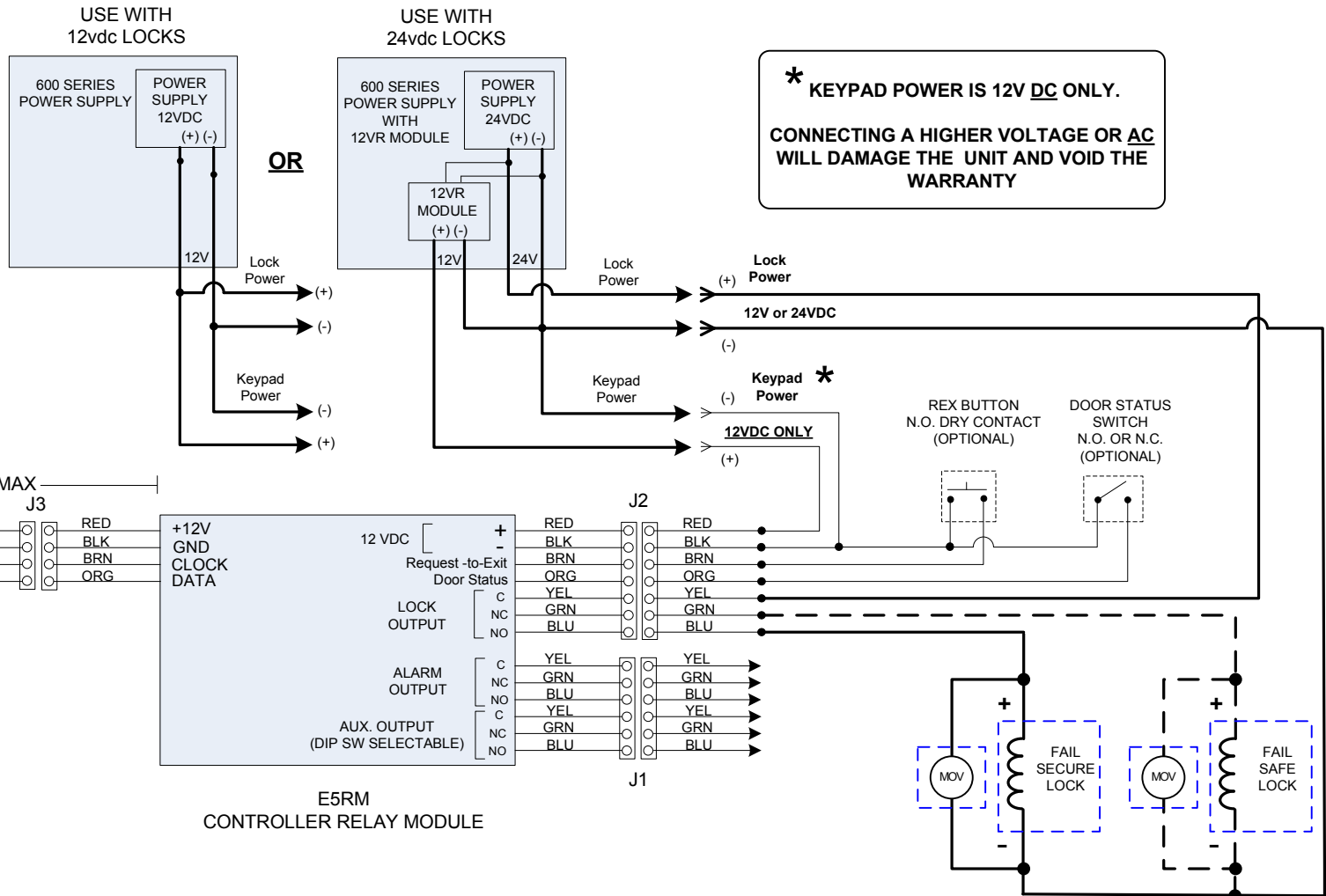
Operating Voltage:	10V – 15V DC
Power Consumption:	300mA Max @ 12VDC (with E4KP)
Relay:	Strike: 5A N.O. / 3A N.C. @ 30VDC Alarm/Aux.: 1A @ 30VDC
Inputs:	Exit Button (N.O.) Door Status Sensor (N.O. or N.C.)
Dimensions:	1-3/4" W x 2-5/8" L x 0.9" D (46 x 66 x 21 mm)
Weight:	2.5 ounces
Operating Temperature:	32°F – 122°F (0°C – 50°C)
Humidity:	30% ~ 95% (Non-condensing)



**CONTROLLER RELAY MODULE –
MODEL E5RM**

TYPICAL WIRING DIAGRAM

NOTE:
Dual voltage power supplies should be switched to 12VDC prior to hook-up



*** KEYPAD POWER IS 12V DC ONLY.**
CONNECTING A HIGHER VOLTAGE OR AC WILL DAMAGE THE UNIT AND VOID THE WARRANTY

Installation Notes:

1. Max distance between the E4KP Keypad & E5RM is 300ft.
2. Alarm Output Relay will be used for Door Prop or Forced Door Alarm.
3. Auxiliary Output Relay will be used for Shunt/Anti-Duress feature and/or Patrol Function.
4. J1, J2, & J3 Connectors are included with the E5RM. Power Supply, Exit Button, & Door Switch are sold separately.
5. For DC voltage electric strikes and electric bolt locks, install a Metal Oxide Varistor (MOV) as close to the coil as possible to prevent kickback voltage from damaging the relay module. Consult with the Lock Manufacturer to see if a voltage suppression device is necessary.