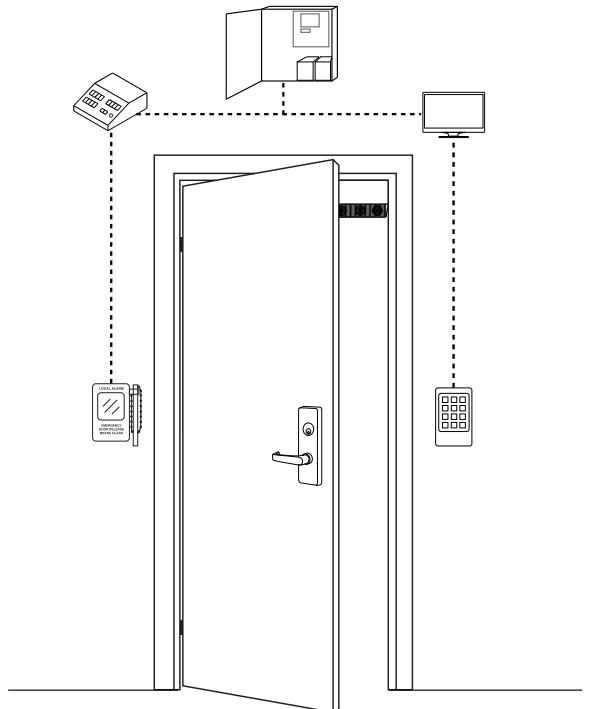




Delayed Egress Locks

Stop Theft, Control Pedestrians in Public Facilities & Airports, Control Wandering Patients, Guard Against Infant Abduction.

The Exit Check® electromagnetic delayed egress lock is designed to delay egress through perimeter exit doors for 15 or 30 seconds. Concurrently an alarm sounds while security and personnel are alerted of unauthorized egress. Compatible with access controls and patient wandering systems, SDC Exit Check® Delayed Egress Locks release immediately in an emergency and comply with all national and regional building and fire life safety codes, including NFPA 101, Special Locking Arrangements.



Exit Check® Integrated Delayed Egress Locks

Voice and digital display provides informative annunciation for people without prior knowledge, including the blind and hearing impaired. Field selectable voice & tone or tone only. Voice provides warning or safety message, countdown and time of door release. Digital countdown display also indicates if door was open after lock release. Fixed 15 second delay or selectable 15 or 30 second exit delay.



1511S

FEATURES

- Field selectable voice message and alarm tone, or alarm tone only, 75 db @ 3 ft
 - The visual display provides a digital countdown, indicates lock release and verifies if the door was opened for egress.
 - Choice of fixed 15 second exit and 1 second nuisance delay or field selectable 15 or 30 second exit delay and 1 or 2 second nuisance delay
 - Field selectable security or safety message
 - Field selectable activation: Door movement; Exit device with switch kit; Exit sense bar for non-latching doors
 - Field selectable automatic or manual relock upon power up after emergency release or power loss.
 - Integrated 3 position key switch provides: Lock and alarm reset;
- Manual power-up*; Sustained bypass; Timed bypass, adj. for 1, 15, 20 or 30 seconds
 - Field selectable door prop alarm: Alarm sounds when door is left open after selected bypass time has elapsed.
 - Anti-tailgate feature
 - Single or multi-door zone control and reset capability

CONTROL INPUTS

- Remote access control and REX input, field adjustable for 1,15, 20 or 30 seconds
- Remote reset input
- Manual power-up input*
- Emergency release input
- Anti-tailgate input

MONITORING OUTPUTS

- Door secure and unlocked output
- Delayed egress activation alarm output

MODELS

1511S Single

For use with single doors equipped with:

- Mortise or rim mount exit devices
- Surface or concealed vertical rod exit devices with surface or concealed strikes and triggers
- Mortise or cylindrical locksets

1511T Tandem

Activating either door unlocks both doors. For use with pairs of doors equipped with:

- Mortise or rim mount exit devices
- Surface or concealed vertical rod exit devices with surface or concealed strikes and triggers.
- Mortise or cylindrical locksets



1511T

PATIENT & INFANT TRACKING SYSTEMS

The SDC Exit Check® is compatible with patient tracking systems, like those used for protection against infant abduction from hospital nurseries, and for the protection of patients in long term care facilities who may be endangered if they leave their care facility without supervision.



APPLICATION

AIRPORT & PUBLIC FACILITY SECURITY & SAFETY

Control pedestrian traffic in government, public facilities and transportation facilities, including airport jetways and tarmacs.

LOSS PREVENTION

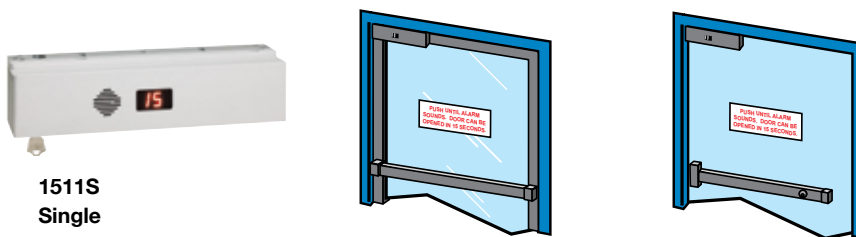
Provide theft protection of merchandise, technology and other valuables such as, art and museum artifacts.

WANDERING PATIENT AND INFANT PROTECTION

Restrict the egress of psychiatric and drug rehab patients, elderly patients in assisted living facilities and restrict the movement of nursery infants for their own safety and security.

OPERATION

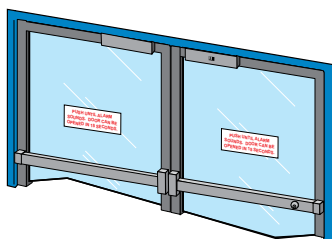
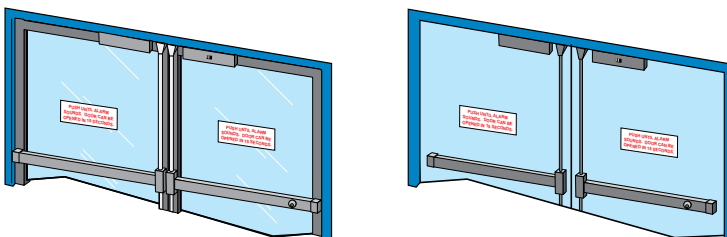
Typically used on exit doors, when unauthorized egress is initiated when in the locked mode, the SDC Exit Check® delays egress through the door for 15 or 30 seconds. Meanwhile, the person exiting must wait while personnel or security respond. The door unlocks after 15 seconds have elapsed, permitting egress. A signal from the fire life safety system will release the lock for uninhibited egress in an emergency. 30 second delay available where approved.



1511S
Single



1511T
Tandem



Code Compliant Door Sign

**PUSH UNTIL ALARM
SOUNDS. DOOR CAN BE
OPENED IN 15 SECONDS.**

CODE COMPLIANCE

Exit Check® models comply with today's building and fire life safety codes. See page 4

IBC, International Building Code
1008.1.8.6 Delayed Egress Locks

IFC, International Fire Code
1008.1.8.6 Delayed Egress Locks

NFPA 101, Life Safety Code
7-2.1.6.1 Delayed Egress Lock

CBC, California Building Code
1008.1.8.6 Special Egress Control Devices

BOCA, National Building Code
1017.4.1.2 Special Locking Arrangements

Chicago Building Code
10 (13-160-269) Electro-Magnetic Locking Devices.

LOCAL APPROVAL

All installations must be approved by the Authority Having Jurisdiction (AHJ).

ACCESS CONTROL

Access controls may be utilized for authorized egress, access and lock reset. Access from the exterior of latching doors requires an additional means of mechanical lock release, such as a mechanical key or electric strike.

VERBAL AND DIGITAL ANNUNCIATION

The Exit Check® series incorporates an alternating verbal message, verbal countdown and alarm tone, plus a large digital countdown display and door release indicator that provides a clear warning for the safety of persons without prior knowledge of door operation, including the blind and hearing impaired.

EXTENDED FEATURES

SELF ADJUSTING DOOR MOVEMENT SENSOR

The built-in door movement sensor may only be used with doors equipped with a latch assembly, such as a mechanical lockset or exit device.

The mechanical latch mechanism must be locked on the exterior and unlocked on the interior. From the inside, retracting the door latch and applying pressure causes limited door movement. The built-in activation trigger senses the door movement and initiates delayed egress operation. The self adjusting sensor helps prevent false triggering.

EXTERNAL DEVICE TRIGGER INPUT

ACTIVATION FOR NON-LATCHING DOORS

The external activation trigger input must be used with doors without latch assemblies, such as latchless glass and herculite doors.

Activation may be triggered by the SDC MSB550 Switch Bar or the SDC Sure Exit®, request-to-exit push bar. A power transfer device is required. Pushing on the request-to exit push bar immediately activates the delayed egress operation.

ACTIVATION FOR LATCHING DOORS

Where preferred, activation may be accomplished by a latch monitoring strike, or a switch installed in a standard latching exit device or lockset. A power transfer device is required for exit devices equipped with a trigger switch.

See detailed information on SDC MS Series Latch Monitoring Strikes (page 72), Exit Device Switch Kits (page 177) and Power Transfer Devices (page 229).

AUTOMATIC OR MANUAL POWER-UP

Field selectable method of lock power-up, automatic or manual, after power loss or emergency release.

AUTO POWER-UP

When selected, regardless of the means of deactivation, relocking of the Exit Check® occurs when power is restored and/or the fire life safety panel is reset.

MANUAL POWER-UP

UBC, California Building Code (OSHPD) Compliant Reset
When selected, regardless of the means of deactivation, relocking of the Exit Check® is by manual means only at the door. Only after power restoration and/or fire life safety panel reset, the door may be relocked by actuating the standard built-in key reset or optional wall mounted key switch, push switch or digital keypad located adjacent to the door.

KEYLESS CONTROL (OPTIONAL)

920 ENTRY CHECK DIGITAL KEYPAD

While the Exit Check® is equipped with a standard built-in 4 function key switch for reset, manual power up, momentary bypass and sustained bypass functions, the SDC 920 wall mounted keypad provides the convenience of keyless operation for:

- Alarm Reset
- Manual Power-Up (UBC & California required)
- Momentary or Sustained Bypass



SPECIFICATIONS

Electrical

Input Voltage	Dual voltage Sensing 12/24 VDC ± 10%
Standard 1650lbs Holding Force	
1511S	820mA @ 12VDC 500mA @ 24VDC
1511T	1500mA @ 12VDC 850mA @ 24VDC
Energy Saver 1200lbs Holding Force	
1511S (E option)	400mA @ 12VDC 275mA @ 24VDC
1511T (E option)	650mA @ 12VDC 400mA @ 24VDC

Mechanical

Single Weight	11"L x 2-3/4"H x 2-5/8"D 13.2 lbs
Tandem	
Master/Slave Weight	11"L x 2-3/4"H x 2-5/8"D 26.4 lbs
Armature	7-3/8"L x 2-3/8"H x 9/16"D

Inputs

Request to Exit	Normally open, dry
Fire Alarm Release	Alarm panel closed dry contact. Opening of contact releases lock.
IBO / Instant Bypass Override	Instant Relocking Feature

Monitoring Outputs

Alarm Output	SPDT Dry, 1 Amp @ 30VDC
Lock Secure Unlocked Output	SPDT Dry, 1 Amp @ 30VDC
DPS Door Position Status (optional)	SPDT Dry, 250 mA @ 30VDC
BAS Magnetic Bond Status (optional)	SPDT Dry, 250 mA @ 30VDC
ATS Anti Tamper Sensor (optional)	SPDT Dry, 1 Amp @ 30VDC

CODE COMPLIANCE

- NA - NFPA 101 • IBC • IFC

If no Code is specified,
NA is the SDC Standard Supplied Code Setting

STANDARD MODELS

- 1511S NA K V Single, Adj 15/30
- 1511T NA K V Tandem, Adj 15/30

NA OPERATION

1) When the door is closed, latched, and the lock is energized, field selectable “15” or “30” is displayed, indicating the door is secure.

2) Applying pressure and retracting the door latch activates a warning tone and digital display countdown. If the door is released in 1 or 2 seconds, the warning tone stops and the door stays locked.

Non Latching Glass Doors: Activation by PSB560 Exit Sense Bar (see page 171)

3) When activation exceeds the nuisance time (1 or 2 seconds) an irreversible process begins that will unlock the door in 13 or 14 seconds. The voice message, tone and countdown annunciation continue.

MALE VOICE WITH SECURITY MESSAGE

- Tone....“Exit in twelve seconds, Security has been alerted”
- Tone....“Exit in five seconds”
- Tone....“Exit now”, Tone....“Exit now”

FEMALE VOICE WITH SAFETY MESSAGE

- Tone....“Exit in twelve seconds, Facility Staff has been notified”
- Tone....“Exit in five seconds”
- Tone....“Exit now”, Tone....“Exit now”

STONE ONLY (IN LIEU OF MESSAGE)

- Activation: Short beeps
- Lock Release: Long beeps

4) The door unlocks when delay time has elapsed and the digital display indicates “00” and annunciation continues.

5) The lock is manually reset by built-in key (K) or optional wall mount keypad or keyswitch (see “Delayed Egress Accessories” on page 55)

6) The door will unlock upon signal from the fire life safety system or power loss. Auto Power-Up: Lock will re-arm automatically when power is restored and fire alarm system is rest.

Manual Power Up: Lock is re-armed by manual means only at the door by key reset (K) or optional wall mounted reset keypad or keyswitch (see “Delayed Egress Accessories” on page 55)

CODE COMPLIANCE

- NC - California Building Code
- ND, NH - NFPA 101 • IBC • IFC

STANDARD MODELS

- 1511S ND K V Single
- 1511T ND K V Tandem

ND OPERATION

1) When the door is closed, latched, and the lock is energized, “15” is displayed indicating the door is secure.

2) Applying pressure and retracting the door latch activates a warning tone and digital display countdown. If the door is released in 1 second, the warning tone stops and the door stays locked.

Non-Latching Glass doors: Activation by PSB560 Exit Sense Bar (see page 171)

3) When activation exceeds the nuisance time of 1 second an irreversible process begins that will unlock the door in 14 seconds. The voice message, tone and countdown annunciation continue.

MALE VOICE WITH SECURITY MESSAGE

- Tone....“Exit in twelve seconds, Security has been alerted”
- Tone....“Exit in five seconds”
- Tone....“Exit now”, Tone....“Exit now”

FEMALE VOICE WITH SAFETY MESSAGE

- Tone....“Exit in twelve seconds, Facility Staff has been notified”
- Tone....“Exit in five seconds”
- Tone....“Exit now”, Tone....“Exit now”

STONE ONLY (IN LIEU OF MESSAGE)

- Activation: Short beeps
- Lock Release: Long beeps

4) The door unlocks when 15 seconds has elapsed, the digital display indicates “00” and annunciation continues.

5) The lock is manually reset by the built-in key (K) or optional wall mounted keypad or keyswitch (see “Delayed Egress Accessories” on page 55).

6) The door will unlock upon signal from the fire life safety system or power loss. Auto Power-Up: Lock will re-arm automatically when power is restored and fire alarm system is reset.

Manual Power-Up: Per California Building Code, lock is re-armed by manual means at the door by key reset (K) or optional wall mounted reset keypad or keyswitch (see “Delayed Egress Accessories” on page 55)

CODE COMPLIANCE

- BD, BH - BOCA, National Building Code
- BC - Chicago Building Code

STANDARD MODELS

- 1511S BD K V Single
- 1511T BD K V Tandem

BD OPERATION

1) When the door is closed, latched and the lock is energized, “15” is displayed indicating the door is secure.

2) Applying pressure and retracting the door latch activates a warning tone and digital display countdown. If the door is released in 1 second, the warning tone stops and the door stays locked.

Non-Latching Glass doors: Activation by PSB560 Exit Sense Bar (see page 171)

3) When activation exceeds 1 second, an irreversible process begins that will unlock the door in 14 seconds. The voice message, tone and countdown annunciation continue.

MALE VOICE WITH SECURITY MESSAGE

- Tone....“Exit in twelve seconds, Security has been alerted”
- Tone....“Exit in five seconds”
- Tone....“Exit now”, Tone....“Exit now”

FEMALE VOICE WITH SAFETY MESSAGE

- Tone....“Exit in twelve seconds, Facility Staff has been notified”
- Tone....“Exit in five seconds”
- Tone....“Exit now”, Tone....“Exit now”

STONE ONLY (IN LIEU OF MESSAGE)

- Activation: Short beeps
- Lock Release: Long beeps

4) The door unlocks when 15 seconds has elapsed, the digital display indicates “00” and annunciation continues.

5) The door must be opened and then closed for 30 seconds before the lock automatically re-locks and annunciation stops. Reopening of the door before the end of the 30 second re-locking cycle will restart the 30 second re-locking cycle. Manual reset not available.

6) Built-in key (K) or optional wall mounted keypad or keyswitch (see “Delayed Egress Accessories” on page 55) provide timed or maintained bypass.

7) The door will unlock upon signal from the fire life safety system or power loss.

HOW TO ORDER

- 1 | SPECIFY MODEL**
- 1511S** Single, For use with single doors
 - 1511T** Tandem, Activating either door unlocks both doors. For use with pairs of doors
- 2 | SPECIFY OPERATION MODE**
 If no Operation Mode is specified, **NA** is the SDC **Standard Supplied Code Setting**
- NA NFPA 101, IBC, IFC, UBC Compliant**
- Field selectable 15 or 30 second exit delay and 1 or 2 second nuisance delay
 - Field selectable automatic or manual power-up after power loss or emergency release
 - Manual Reset
- NC NFPA 101, IBC, IFC, UBC, CBC (OSHPD) Compliant**
- Fixed 15 second exit delay
 - Field selectable 0 or 1 second nuisance delay
 - Fixed manual power-up after power loss or emergency release
 - Manual Reset
- ND & NFPA 101, IBC, IFC, UBC**
- NH**
- ND - Fixed 15 second exit delay and field selectable 0 or 1 second nuisance delay
 - NH - Fixed 30 second exit delay and field selectable 0 or 1 second nuisance delay
 - Field selectable automatic or manual power-up after emergency release
 - Manual Reset
- BD & BOCA Building Code**
- BH**
- BD - Fixed 15 second exit delay
 - BH - Fixed 30 second exit delay
 - Field selectable 0 or 1 second nuisance delay
 - Field selectable automatic or manual power-up after emergency release
 - Manual or Auto Reset 30 seconds after door closure. Auto reset is retriggered if door opens before 30 seconds
- BC City of Chicago Building code**
- Fixed 15 second exit delay
 - Fixed 0 second nuisance delay
 - Field selectable automatic or manual power-up after emergency release
 - Manual or Auto Reset 30 seconds after door closure. Auto reset is retriggered if door opens before 30 seconds
- 3 | SPECIFY BUILT-IN RESET AND CONTROL**
- K** Built in key switch. Provides 1-30 second timed bypass, sustained bypass and alarm reset (standard).
- P** Built in reset push switch. Available with NFPA (NA) only.
- L** Less key or push switch
- 4 | SPECIFY FINISH**
- Anodized Finishes**
- V** 628 Aluminum (standard)
- Y** 335 Black
- Special Plated Finishes**
- P** 625 Bright Chrome
- Q** 626 Dull Chrome
- Powder Coat Finishes**
- X** Dark Brown Powder Coat
- C** Brass Powder Coat
- 5 | SPECIFY LOCK OPTIONS**
- E Energy Saver**
 1200 lbs holding force, low power consumption. See page 41 for full electrical specifications
- D Door Position Status**
 Provides remote monitoring of the door open or closed status and indicates the door has actually been opened for egress after alarm activation. (Specify 2 for tandem)
- B Magnetic Bond Alert Sensor**
 Indicates locked with full holding power or unlocked, reduced holding power, tampering or foreign material between the electromagnet and armature. (Specify 2 for tandem)
- A Anti-tamper Switch**
 Detects attempt to remove the access cover. (Specify 2 for tandem)
- 6 | SPECIFY PROGRAMMING OPTIONS**
- VI One Language or Bilingual**
 Spanish, or English and Spanish, verbal notification.
- VIC Custom Verbal Announcement**
 (10 piece purchase minimum) POA
- RRX Reset on REX**
 Allows the REX input to reset after an unauthorized egress alarm.
Not available for NC operation

SEE PAGE 99 FOR DELAYED EGRESS EXIT DEVICE

ACCESSORIES see also page 55 for more accessories

101-SP External 15 Watt Speaker
 Connects directly to 1511S or 1511T for enhanced decibels of onsite or remote voice message annunciation. Speaker driver may be provided by others for extreme decibel requirements.

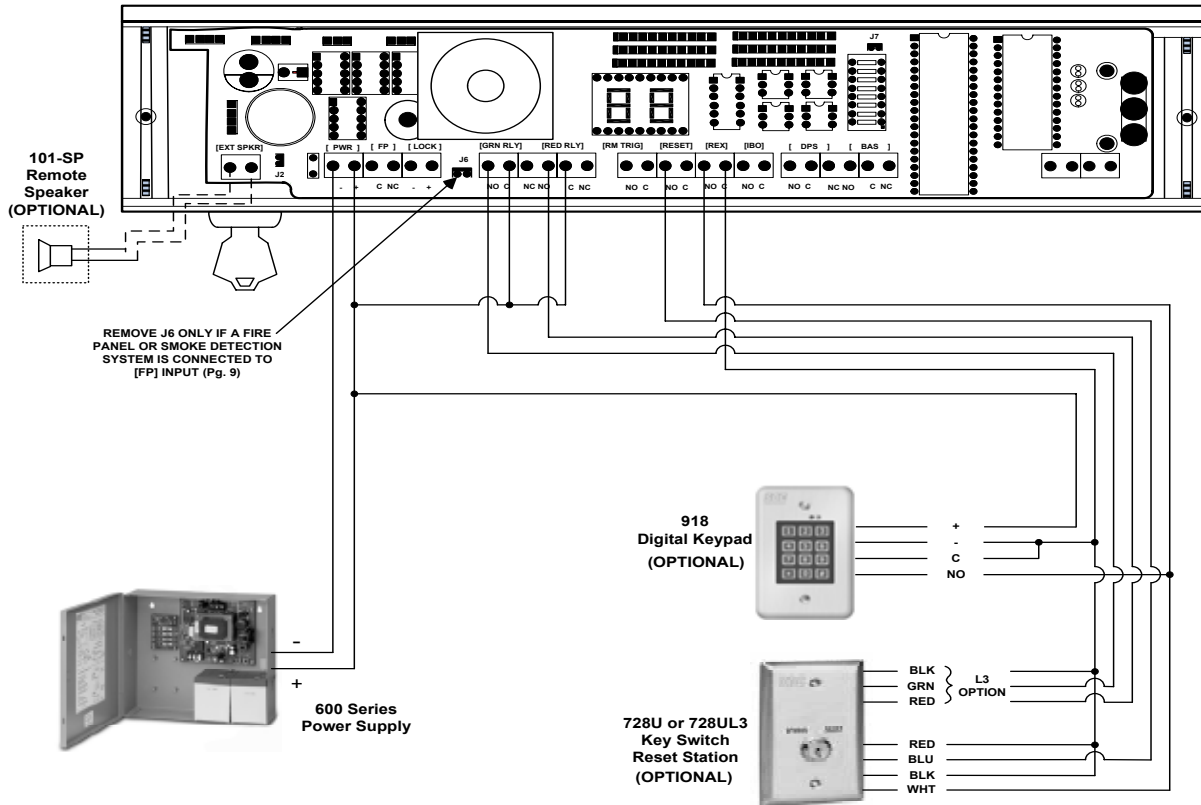


101-SPSN Remote Single Gang Annunciator
 Speaker and 80db tone. Duplicates ExitCheck voice message or tone.



EA100 Multi-Mode Visual Exit Annunciator Bar
 Interfaces with Delayed Egress devices for forced entry or unauthorized exit signaling. Highly visible from any angle due to multi-color LED lights with rolling signal.





Infant and Pediatric Protection & Wandering Patient System Application

The Exit Check is unlocked when in maintained bypass or momentary bypass (access/REX) mode. When a tagged patient walks near or infant carried towards the door protection system sends a signal to the Exit Check®, locking the door immediately. Should a person then initiate unauthorized egress, the Exit Check® will provide voice and tone annunciation and delay egress for 15 or 30 seconds.

Instant bypass
override

Protection System

Keypad In Lieu of Built-In Keyswitch

Eliminates Problem of Lost Keys, Easy To Reach for Reset, Bypass And Authorized Exit. See 920 keypad page 6. Note: Contact SDC for Wiring instructions

[RESET][REX]

NO C NO C NO C NO C

920 Keypad

Egress Bar & Exit Device Trigger

PSB560, MSB550 non-latching bars
Exit Bar Switch Kits for latching exit devices

RM TRIG | RESET | REX

NO C NO C NO C NO C NO C

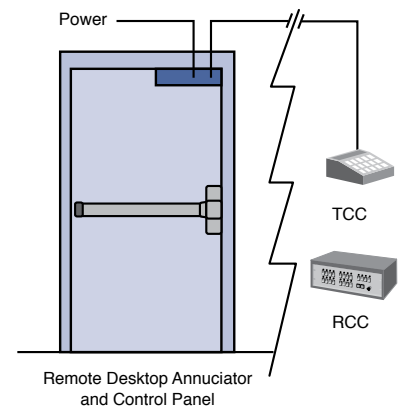
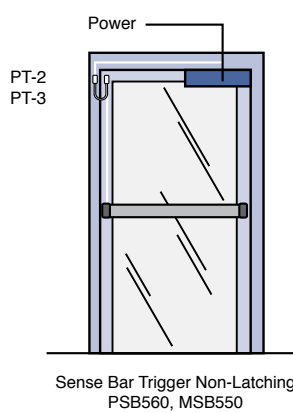
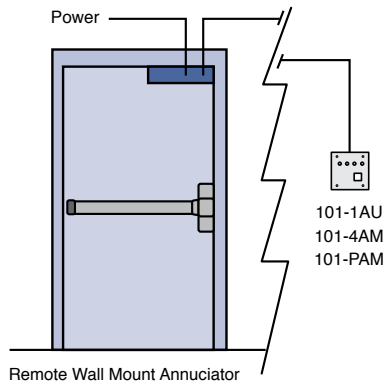
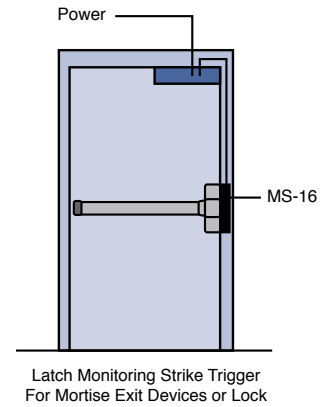
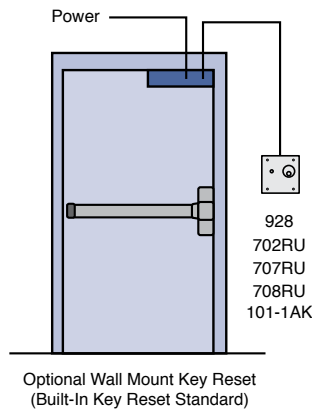
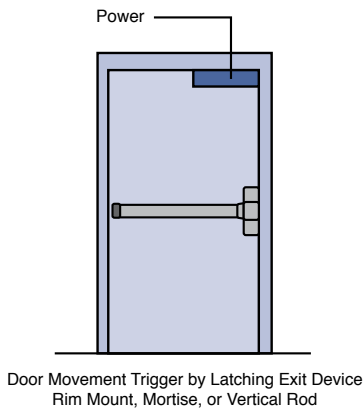
Egress Device Contact

See terminal block above

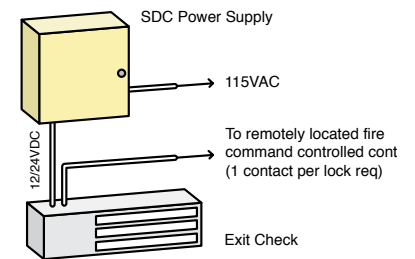
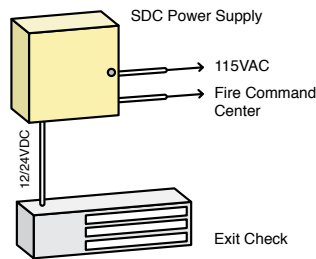
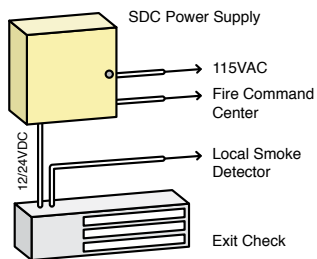
Note:
Set DIP switch No. 5 to "Remote" position

Terminal Board Connections								Monitoring Options			
POWER IN	FP	AUX LOCK OUTPUT	GRN RLY	RED RLY	REMOTE	RESET	REX	INSTANT BYPASS OVERRIDE	DPS	BAS	ATS
- +	C NC	- +	NO C NC	NO C NC	NO C	NO C	NO C	NO C	NO C NC	NO C NC	NO C NC
AUTO SENSING 12/24 VDC INPUT	TO CLOSED FIRE CONTACT (REMOVE J6 WHEN USED)	SLAVE / TANDEM LOCK CONTROL OUTPUT	LOCK SECURE OUTPUT	ALARM OUTPUT	EXTERNAL TRIGGER SWITCH INPUT	EXTERNAL RESET SWITCH INPUT	REQUEST TO EXIT INPUT	INSTANT LOCKING FEATURE	DOOR POSITION OUTPUT	MAGNETIC BOND ALERT OUTPUT	ANTI TAMPER OUTPUT

COMPONENT CONSIDERATIONS



EMERGENCY RELEASE MODES



DUAL EMERGENCY RELEASE

SDC 600 Series Power Supply and Integrated Lock Emergency Release

- Field Selectable Lock Auto Reset or Lock Manual Key Reset
- Field Selectable Power Supply Output
- Automatic reset standard, see *MR option for manual reset.

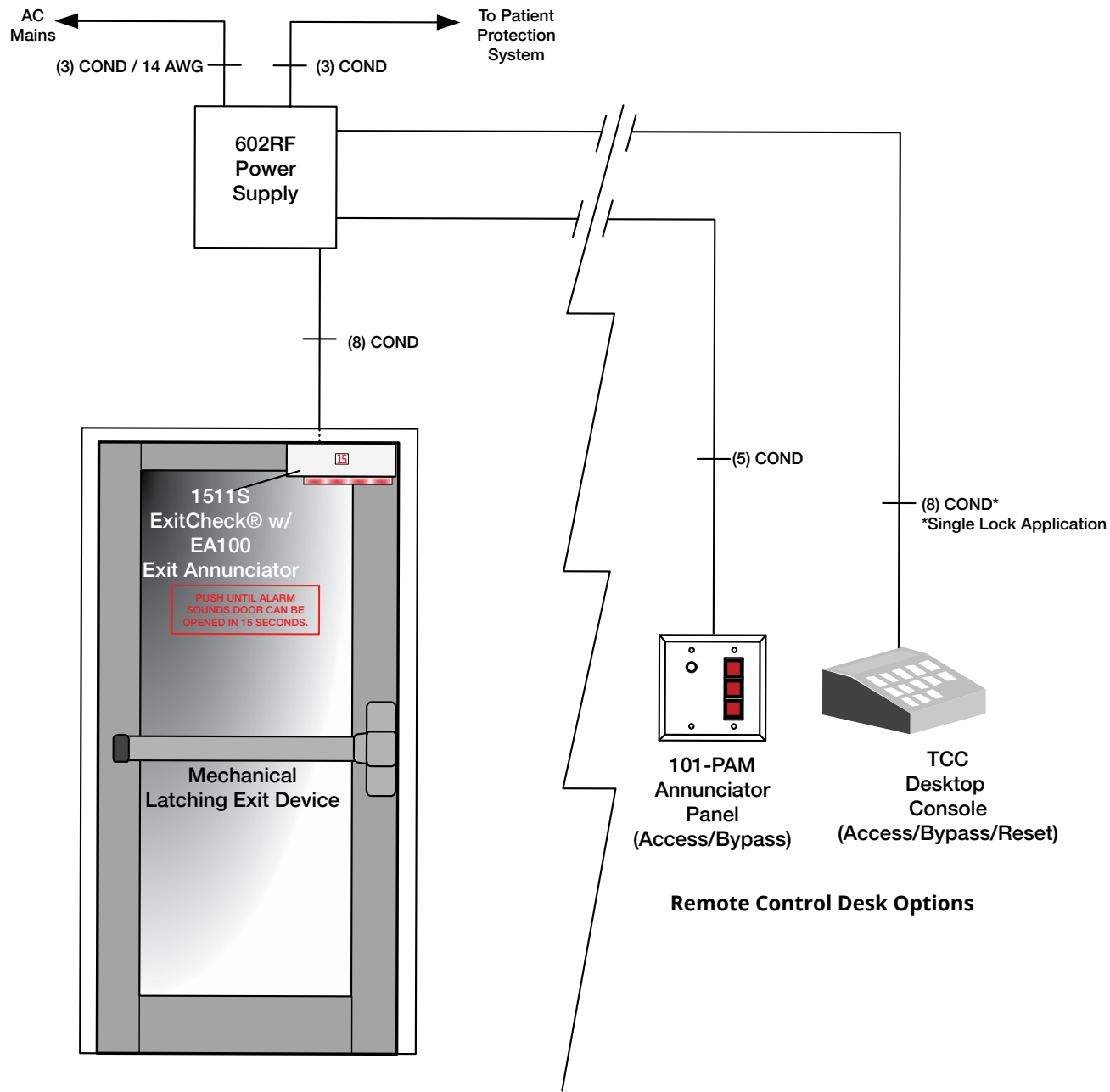
SDC 600 SERIES POWER SUPPLY EMERGENCY RELEASE

- Field Selectable Lock Auto Reset or Lock Manual Key Reset
- Field Selectable Power Supply Output
- Automatic reset standard, see *MR option for manual reset.

INTEGRATED LOCK EMERGENCY RELEASE

- Field Selectable Lock Auto Reset or Lock Manual Key Reset
- Field Selectable Power Supply Output
- Automatic reset standard, see *MR option for manual reset.

APPLICATION



Remote Control Desk Options



101-PAM Annunciator Panel
see page 55



TCC Desktop Control Console
see page 271



EA100 Visual Exit Annunciator
see page 277



S6000 Mechanical Latching Exit Device
see page 95



602RF 1 Amp, 12/24 VDC Class 2 Output Power Supply
see page 239

1581S Delayed Egress Mini Exit Check®

When unauthorized egress is initiated, the Mini Exit Check® delays egress through the door for 15 seconds. Meanwhile, the person exiting must wait while personnel or security respond. The door unlocks after 15 seconds have elapsed, permitting egress. A signal from the fire/life safety system will release the lock for uninhibited egress in an emergency.

PUSH UNTIL ALARM SOUNDS. DOOR CAN BE OPENED IN 15 SECONDS.



EXIT CHECK® APPLICATIONS INCLUDE:

Restricting the egress of patients for their own safety. Restricting the egress of commercial center patrons for minimum security application needs.

SIZE MATTERS

The Mini Exit Check® is designed to meet the needs of long term care and commercial facilities that require a smaller, less obtrusive, and less expensive delayed egress lock that is better suited for minimum security needs.

In addition, the subdued alarm tone is less disruptive to patients and staff. SDC has also maintained all the features and status outputs found in most higher holding force delayed egress locks on the market.

FEATURES

- 650 lbs Holding Force
- Subdued alarm with 2 distinct tones:
Alarm activation - intermittent, Door release - continuous
- Choice of activation trigger:
Door movement
Latching exit device with switch kit
Non-latching REX bar
- Self-aligning and vandal resistant proximity sensor trigger
- 5 foot cable

ACCESS CONTROL

Access controls may be utilized for authorized egress or access. Access from the exterior of latching doors requires an additional means of mechanical lock release, such as a mechanical key or electric strike.

LOCAL APPROVAL

All installations must be approved by the Authority Having Jurisdiction (AHJ).

PATIENT & INFANT TRACKING SYSTEMS

The SDC Exit Check® is compatible with patient tracking systems, like those used for protection against infant abduction from hospital nurseries, and for the protection of patients in long term care facilities who may be endangered if they leave their care facility without supervision.



MODEL

1581S Single Mini Delayed Egress Lock, 650 lbs holding force.
Specify 2 for pair of doors

SPECIFICATIONS

Voltage	Auto sensing 12/24 VDC input
Current	320mA @ 12VDC 500mA @ 24VDC
Size	10"L x 2"H x 2-3/8"D
Inputs / Outputs	Sustained bypass input Access control / REX input, timed Door secure / unlocked output Alarm activation output Door Position Status (optional) Magnetic Bond Sensor (optional)
Weight	7.0 lbs

EXTENDED FEATURES

SLAVE LOCK OUTPUT

The slave lock output enables the use of two units for pairs of doors and ensures that pushing on one door leaf will cause both doors to release.

ACTIVATION TRIGGERS

The Exit Check® is equipped with a built-in activation trigger and a remote trigger device input.

BUILT-IN ACTIVATION TRIGGER

The built-in activation trigger may only be used with doors equipped with a latch assembly (i.e. exit device or mechanical lockset).

The mechanical latch mechanism must be locked on the exterior and unlocked on the interior. From the inside, retracting the door latch and applying pressure causes limited door movement. The built-in activation trigger senses the door movement and initiates delayed egress operation.

REMOTE ACTIVATION TRIGGER INPUT

Activation Trigger For Non-Latching Doors

The remote trigger activation input must be used with doors without latch assemblies (i.e. latchless glass and herculite doors).

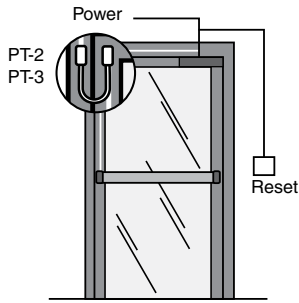
Activation may be triggered by the SDC **MSB550** Switch Bar or the SDC **PSB560** Sure Exit®, request-to-exit push bar. A power transfer device is required.

Pushing on the request-to-exit push bar immediately activates the delayed egress operation.

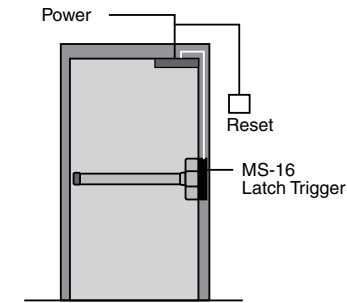
Activation Trigger For Latching Doors

Where preferred, activation may be accomplished by a latch monitoring strike, or a switch installed in a standard latching exit device or lockset. A power transfer device is required for exit devices equipped with a trigger switch.

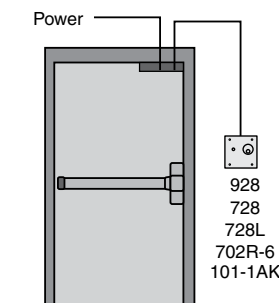
COMPONENT CONSIDERATIONS



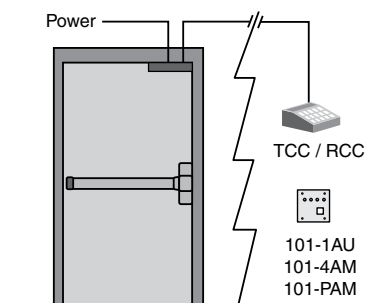
Sense Bar Trigger Non-Latching
PSB560, MSB550



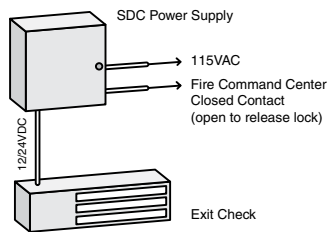
Latch Monitoring Strike Trigger
For Mortise Exit Devices



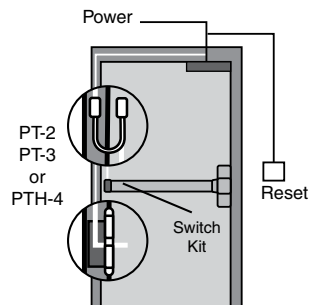
Wall Mount Reset Station
Required with 1581SND



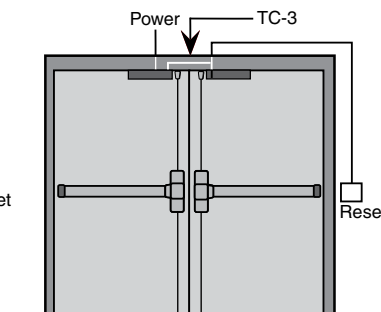
Remote Annunciators
and Control Panels



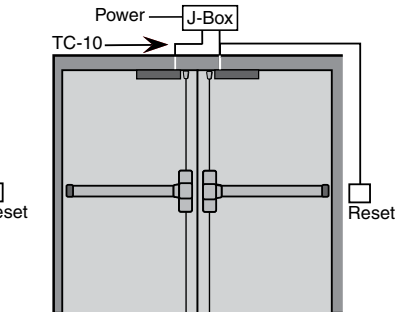
600 SERIES POWER SUPPLY
EMERGENCY RELEASE



Latching Exit Device with
Built-in Switch Kit Trigger



Pair of doors with two locks and required
TC-3 cable for power and slave operation
Pushing either door triggers
the delayed release of both doors.



Pair of doors with two locks and required
TC-10 cable for power and slave operation
Pushing either door triggers
the delayed release of both doors.

 **HOW TO ORDER**

1 | SPECIFY MODEL

1581S Mini Delayed Egress Exit Check®

2 | SPECIFY OPERATION MODE

If no Operation Mode is specified, **ND** is the SDC **Standard** Supplied Code Setting

- ND** UBC, California Building Code, OSHPD, NFPA 101, IBC & IFC Compliant
15 second fixed exit delay, 2 second nuisance delay.
Field selectable manual power up after emergency release for California and OSHPD compliance
- NH** IBC, IFC, NFPA 101 Compliant
30 second fixed exit delay, 2 second nuisance delay
- NC** CBC Compliant
15 second fixed exit delay, 2 second nuisance delay, power up unlocked fixed
- BD** BOCA National Building Code Compliant
15 second fixed exit delay, 1 second nuisance delay, auto reset 30 seconds after door closure
- BH** BOCA National Building Code Compliant
30 second fixed exit delay, 1 second nuisance delay, auto reset 30 second after door closure
- BC** BOCA National Building and Chicago Compliant
15 second fixed exit delay, 0 second nuisance delay, auto reset 30 second after door closure

3 | SPECIFY FINISH

- Anodized Finishes**
- V** Aluminum (standard)
- Y** Black anodized
- Painted Finishes**
- C** Bright Brass powder coat
- D** Dull Brass powder coat
- X** Dark bronze powder coat
- Plated Finishes (special order)**
- P** Bright chrome
- Q** Dull chrome

4 | SPECIFY STATUS OUTPUTS (OPTIONAL)

- D** Door position status
- B** Magnetic bond sensor

5 | SPECIFY RESET AND CONTROL DEVICE

Select Reset Station for NC, NH and ND functions

- 918** EntryCheck Digital Keypad, 500 user codes - Keyless Reset - manual power up - bypass
- 728** Key Switch, 2 keys, 1 gang - Reset - manual power up - sustained bypass
- 728L3** Key Switch, 2 keys, 1 gang, LED status indicator - Reset - manual power up - sustained bypass
- 702R** Separate wall mount reset key switch assembly, MO SPDT dry contact, 6 amp @ 30VDC max., accepts standard 1-1/8" to 1-1/4" (Mortise key cylinder not included)
- 101-1AK** Key switch assembly, 2 gang, LED status indicator, less cylinder - Reset - manual power up - sustained bypass
- 101-4AM** Four station remote annunciator

SEE PAGE 99 FOR DELAYED EGRESS EXIT DEVICE

 **ACCESSORIES** see also page page 55 for more accessories

Required when using two locks on a pair of doors, cables enable slave operation. Pushing either door triggers the delayed release of both doors.

- 1581S-TC3** Cable kit for connecting two locks through the frame header
- 1581S-TC-10** Cable kit for connecting wiring for two locks in a remote junction box

 APPLICATION



**920
IPRW** Wiegand
Access Control
Keypad or Reader
see page 155
and page 151



IPPro IP-based
Access Control
Controller
see page 147



EA100 Visual Exit Annunciator
see page 277



602RF 1 Amp, 12/24 VDC
Class 2 Output
Power Supply
see page 239

101-DE Exit Check® Delayed Egress Controller

VERBAL EXIT INSTRUCTIONS OR ALARM TONE ONLY
& DIGITAL COUNTDOWN DISPLAY

- STOP EMPLOYEE THEFT
- STOP RETAIL SHOPLIFTING
- RESTRICT AIRPORT PATRONS
- RESTRICT WANDERING PATIENTS



The integral verbal message, digital countdown display and sign provide comprehensive and clear instructions of the door operation for persons without prior knowledge of the exit delay, including the sight and hearing impaired. The digital keypad eliminates the need to carry and locate keys for reset and bypass functions.

FEATURES

EGRESS DELAY

- 15 or 30 second exit delay
- 1 or 2 second nuisance delay

BUILT-IN 3 FUNCTION KEYPAD

- Alarm and lock reset
- 1 to 30 second bypass
- Sustained bypass
- Additional keyswitch optional

CONTROL INPUTS

- 1 to 30 second request-to-exit and access bypass with anti-tailgate
- Alarm reset
- Infant and wandering patient protection system compatibility
- External DPS input for anti-tailgate and door prop operation

BUILT-IN ANNUNCIATION

- Armed mode
- Nuisance mode
- Irreversible egress mode
- Release mode
- Digital countdown display
- Field selectable voice notification or tone
- Field selectable male voice with security message or female voice with safety message

MONITORING OUTPUTS

- Armed status
- Egress initiation status
- Released status

OPTIONAL EMLOCK OUTPUTS

- Door position sensor - indicates door open and door closed, commonly used to verify egress after release
- Magnetic bond sensor - indicates locked with full holding force, low holding force, unlocked and tampering

CHOICE OF MOUNTING

- Recessed mounted (3 gang plaster ring included)
- Surface mounted with optional 3 gang box (DEC-J)

TRIGGER MODES

- Egress alarm triggered by door movement when used with SDC 1500DE series EmLocks.
- Trigger input from external device field selectable (n/o or n/c)

POWER-UP MODES

- Field selectable automatic or manual power up after emergency release or power loss. Use of manual power up complies with California Building Code (OSHPD) requirements

MODELS

DELAYED EGRESS CONTROLLER

101-DE Wall mount controller with keypad control and reset, 180 mA @ 12/24 VDC

101-KDE Wall mount controller with both keypad and keyswitch control and reset (less cylinder)

Magnetic Lock with Activation Sensor Specify 2 for pair of doors

INDOOR LOCKS

1511DEV Single, 1650 lbs holding force, 670/350 mA @12/24 VDC, 628 finish standard

1571DEV Single, 1200 lbs holding force Energy Saver, 250/125 mA @12/24 VDC, 628 std

1581DEV Single, 650 lbs holding force, 440/220 mA @12/24 VDC, 628 finish standard

INDOOR/OUTDOOR LOCKS WITH ACTIVATION SENSOR AND CONDUIT FITTING

1575DEU Single magnetic lock with magnetic bond sensor, 630 finish standard

1576DEU Single face drilled magnetic lock with magnetic bond sensor, 630 std



Meets NFPA 80 & 101 for Life Safety



3774-0324:103 California State Fire Marshall Listed



SPECIFICATIONS

Electrical Specifications

Inputs

Voltage Input Auto sensing 12/24VDC +/-10%

Reset Input N.O., Dry

REX Input N.O., Dry

Trigger N.C. or N.O., Dry

IBO/DPS IBO: N.O., Dry
DPS: N.C.

Monitoring Outputs

Alarm Output 1 Amp @ 30VDC SPDT Dry

Lock Secure Output 1 Amp @ 30VDC SPDT Dry

Mechanical Specifications

Controller Weight 6-1/2" x 4-1/2" x 1-1/2"
1.15 lbs

1581DE 8-3/4" x 2-1/8" x 1-1/4"

1571DE / 1511DE 11" x 2-3/4" x 1-9/16"

1575DE / 1576DE 8-45/64" x 2-1/2" x 1-39/64"

CODE COMPLIANCE

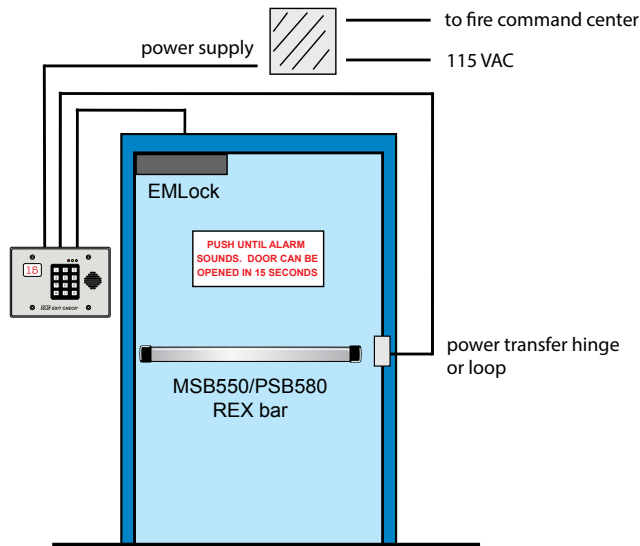
- IFC International Fire Code
- IBC International Building Code
- NFPA 101 Life Safety Code
- NFPA 1 Uniform Fire Code
- California Building Code

DISPLAY MODES

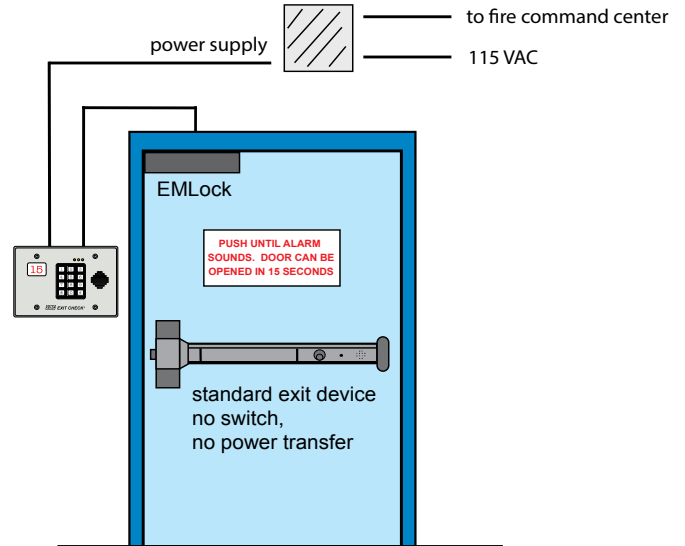
- 15** Door armed and locked.
- 00** Alarm countdown period has ended, door is unlocked and alarm sounding until reset.
- Door has been opened after REX, Bypass or Alarm.
- -** Door unlocked and alarm is shunted (REX or Bypass)

APPLICATION

DOOR WITHOUT LATCH ASSEMBLY ACTIVATION BY SURE EXIT® PUSH BAR



DOOR WITH LATCH ASSEMBLY ACTIVATION BY DOOR MOVEMENT





PRODUCT SKU SAMPLE: 101-DE NC 1571DEV D

HOW TO ORDER

1 | SPECIFY MODEL (ONE PER OPENING)

- 101-DE** Wall mount controller with keypad control and reset
- 101-KDE** Wall mount controller with both key switch and keypad control and reset

2 | SPECIFY OPERATION MODE

If no Operation Mode is specified, **NA** is the SDC **Standard** Supplied Code Setting

- NA** NFPA 101, IBC and IFC Compliant
Field selectable:
15 or 30 second exit delay, 1 or 2 second nuisance delay
Field selectable automatic or manual power-up after emergency release
- ND** UBC, California Building Code, OSHPD, NFPA 101, IBC & IFC Compliant
15 second fixed exit delay, 2 second nuisance delay.
Field selectable manual power up after emergency release for California and OSHPD compliance
- NH** IBC, IFC, NFPA 101 Compliant
30 second fixed exit delay, 2 second nuisance delay
- NC** CBC Compliant
15 second fixed exit delay, 2 second nuisance delay, power up unlocked fixed
- BD** BOCA National Building Code Compliant
15 second fixed exit delay, 1 second nuisance delay, auto reset 30 seconds after door closure
- BH** BOCA National Building Code Compliant
30 second fixed exit delay, 1 second nuisance delay, auto reset 30 second after door closure

3 | SPECIFY MAGNETIC LOCK WITH INTEGRATED ACTIVATION SENSOR (SPECIFY TWO FOR PAIR OF DOORS)

- 1511DEV** Single, 1650 lbs holding force, 670/350 mA @12/24VDC
- 1571DEV** Single, 1200 lbs holding force, Energy Saver, 250/125 mA @12/24VDC
- 1581DEV** Single, 650 lbs holding force, 440/220 mA @12/24VDC

Outdoor Locks

- 1575DEU** Single outdoor magnetic lock with magnetic bond sensor
- 1576DEU** Single face drilled outdoor magnetic lock with magnetic bond sensor

4 | SPECIFY MAGNETIC LOCK FINISH

Anodized Finishes

- V** Aluminum (standard)
- Y** Black anodized

Painted Finishes

- X** Dark bronze powder coat

5 | SPECIFY MONITORING (OPTIONAL)

- D** **Door Position Sensor:** Indicates door open and door closed. Specify two for double doors (not available with 1581, 1575 and 1576) SPDT Dry, 250 mA @ 30VDC.
- B** **Magnetic Bond Sensor:** Indicates locked and unlocked, low holding power, tampering and obstruction between armature and magnetic core. Specify (2) for double doors (1581DE SPST only)

SEE PAGE 99 FOR DELAYED EGRESS EXIT DEVICE

ACCESSORIES see also page 55 for more accessories

- 1575DE-ZB** Inswing mounting bracket for 1576DEU
- 101-1AK** Outdoor reset with LED and audible annunciator, 2-gang outdoor box required
- 101-SPSN** Remote Single Gang Annunciator with speaker and 80db tone. Duplicates ExitCheck alternating voice message and tone.

see also page 15 for additional mounting kits and angle brackets

DEC-J 3-gang interior surface mount box for 101-DE

SHD-J Shroud for surface mount box DEC-J outdoor use





Delayed Egress Accessories

RESET STATION CONTROLS

Reset Station for ND and NH functions
Reset not required for BD and BH function



918
EntryCheck™ digital keypad
500 user codes,
Keyless Reset /
manual power up /
bypass

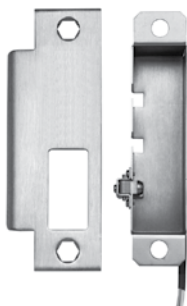


728
Key switch 2 keys,
1 gang Reset /
manual power up /
sustained bypass



728L
Key switch 2 keys,
1 gang, LED status
indicator Reset/
manual power up/
sustained bypass

LATCH TRIGGER



MS-16
Latch Trigger
Switch
For doors
equipped with
Mortise Locks
and Mortise
Exit Devices.
Wiring from the
door to frame is
eliminated

STATION CONTROLS & ANNUNCIATORS

While the Exit Check® is equipped with a standard built-in key switch for reset and bypass functions, wall mounted stations provide for convenient alarm reset, sustained bypass or timed bypass. Remote annunciators provide quick identification of activated openings, enabling security or care personnel to respond rapidly. Annunciators are equipped with an audible alarm and each station is identified by one tri-color LED that identifies specific mode status.

Secure - Green
Activation - Amber x
Audible Tone
Unlocked - Red x
Audible Tone



920
EntryCheck™ digital keypad
500 user codes,
Keyless Reset /
manual power up /
bypass



101-1A
The single station annunciator is equipped with a tri-color LED and audible alarm.



101-AK
Visual and audible annunciation and key switch for alarm reset, manual power up and sustained bypass.



101-PAM
Visual and audible annunciation, timed access, sustained bypass, and audible mute.



101-4AM
Provides visual and audible annunciation with audible mute for two, three or four openings.

700R Series Single Gang Key Switches

The SDC 700R Series Single Gang Key Switch assemblies provide an economical method of providing authorized control for a variety of applications.

FEATURES

- Compatible 1" to 1-3/8" (Mortise key cylinder not included)
- Reset Key Switch Assembly
- Security Spanner Screws
- Vandal Resistant Cylinder Recess



SPECIFICATIONS

Faceplate	20 Gauge Stainless Steel, Single Gang
Reset Key Switch Assembly	702R: Reset Keyswitch 707R: Reset Switch with Dual Function for Bypass (authorized egress) and Reset 708R: Reset Switch for Bypass (on/off) and Reset
Contacts	702R: MO SPDT Dry Contact 707R: (2) MO SPDT Dry Contact 708R: (1) Maintained and (1) MO SPDT Dry Contact
Contact Rating	6 Amp @ 30VDC max.
Wire Leads	7", 22 Gauge
Weight	0.5 lbs

MODELS

- 702RU** Wall Mount Reset Key Switch Assembly
- 707RU** Remote Reset Key Switch with dual Function for Authorized Egress & Reset
- 708RU** Remote Reset Key Switch for Bypass & Reset

SURE EXIT REQUEST-TO-EXIT

The Sure Exit is a non-latching, heavy duty, request-to-exit push bar that will activate the Exit Check® when slight pressure is applied to the bar. Metal Endcaps standard.



PSB560V Aluminum Anodized
PSB560Y Black Anodized



MECHANICAL SWITCH BAR

SDC's MSB550 is designed to release electromagnetic door locks for uninhibited egress. When slight pressure is applied a microswitch is actuated, immediately releasing the electromagnetic door lock. Metal Endcaps standard.



MSB550V Aluminum Anodized
MSB550Y Black Anodized

CONSOLES, DESKTOP AND RACK MOUNT

SDC control and annunciator panels provide remote annunciation of multiple openings. Stations are specified in sets of four. Control switches are also available and capable of providing both sustained bypass and timed unlocking of individual doors. Consult the factory or refer to SDC control console datasheets for additional specifications.



TCC Desk Top
Stations: 4, 8 & 12



RCC Rack Mount
Stations: 4 - 20



CAB Desk Top Cabinet
CAB7:
Accommodates 1 RCC
CAB12:
Accommodates 2 RCC

POWER SUPPLIES

Delayed egress applications require properly approved power supplies with emergency release capability.

- 621B** Power supply module, 1 Amp 12/24VDC, Class 2. 40VA, 24VAC transformer required to achieve 1 Amp output. See SDC TP2440 plug-in or TJ2440 base mount transformers
- 621P** Power supply module, 1 Amp, 12/24VDC, Class 2, with UL Listed plug-in transformer.
- 621PJ** Power supply module, 1 Amp, 12/24VDC, Class 2 and small enclosure with cover mounted LED power supply status indicator and UL Listed plug-in transformer.
- 602RF** 1 Amp class 2 output (4 outputs optional.)
- 631RF** 1.5 Amp class 2 output (4 & 8 outputs optional.)
- 632RF** 2 Amp class 2 output, (4, 8 & 12 outputs optional.)
- 634RF** 4 Amp; Field select one 4 Amp output or two 2 Amp class 2 outputs. (4, 8, 12 & 16 outputs optional.)
- 636RF** 6 Amp; Field select one 6 Amp output or three 2 Amp class 2 outputs (4, 8, 12, 16, 20 & 24 outputs optional)



621B



621P



621PJ



602RF



631RF



632RF



634RF



636RF