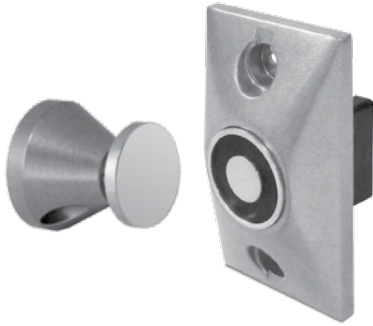


# EH Series Magnetic Door Holder & Releasing Device

Distributor Discount Code **V**



**SDC EH Series Magnetic Door Holders**, are designed to hold doors open and release the door by remote switch or fire life safety command center activation. Primary application includes holding and releasing of fire rated doors that are required to provide a barrier for fire and smoke in an emergency or the convenience of door closure by remote control.



### SPECIFICATIONS

|                      |  |
|----------------------|--|
| <b>Materials</b>     | Zinc alloy   |
| <b>Voltage</b>       | Standard dual voltage AC or DC inputs of 12&24V, 24&120V, 24&220V models   |
| <b>Holding Force</b> | Typical holding force of 25-40 pounds; field selectable high holding force |
| <b>Mount</b>         | Single or double floor, surface, flush, and recessed mount                 |

|                         |   |
|-------------------------|---|
| <b>Total Projection</b> | Flush mount: 2-11/32" (60mm)<br>Semi-Flush mount: 3-1/16" (78mm)<br>Surface mount: 4-5/8" (117mm)<br>Floor mount (single door): 5" (127mm)<br>Floor mount (double door): 9-5/8" (244mm) |
| <b>Fasteners</b>        | Hardware package, mounting bracket  |

### Performance Data

| Model | Voltage | DC/mA | AC/mA | Terminals | LB. | KG.  |
|-------|---------|-------|-------|-----------|-----|------|
| 1224  | 12V     | 40    | 38    | C&L       | 30  | 13.6 |
|       | 24V     | 40    | 36    | C&H       | 30  | 13.6 |
| 24120 | 24V     | 20    | 19    | C&L       | 40  | 18.1 |
|       | 120V    | —     | 20    | C&H       | 35  | 15.8 |
| 24220 | 24V     | 20    | 19    | C&L       | 40  | 18.1 |
|       | 220V    | —     | 15    | C&H       | 25  | 11.3 |

### HIGH HOLDING FORCE / SPECIAL APPLICATIONS

| Model | Voltage | DC/mA | AC/mA | Terminals | LB. | KG.  |
|-------|---------|-------|-------|-----------|-----|------|
| 1224  | 24V     | 85    | 81    | C&L       | 75  | 34.0 |
| 24120 | 120V    | —     | 100   | C&L       | 110 | 49.8 |

To obtain performance values in high holding force table above apply high listed voltage to low voltage terminals (C & L). NOTE: This configuration can only be applied to models 1224 & 24120.



SPECIFY MODEL       LIST

| Model       | Description         | Price  |
|-------------|---------------------|--------|
| <b>EH10</b> | Flush Mount         | 135.00 |
| <b>EH20</b> | Semi-Flush Mount    | 104.00 |
| <b>EH30</b> | Surface Mount       | 151.00 |
| <b>EH40</b> | Floor Mount, Single | 195.00 |
| <b>EH42</b> | Floor Mount, Double | 244.00 |

SPECIFY VOLTAGE     Add to List

| Voltage      | Description     | Price |
|--------------|-----------------|-------|
| <b>1224</b>  | 12/24VAC/DC     | N/C   |
| <b>24120</b> | 24VAC/DC/120VAC | N/C   |
| <b>24220</b> | 24VAC/DC/220VAC | N/C   |

SPECIFY FINISH     Add to List

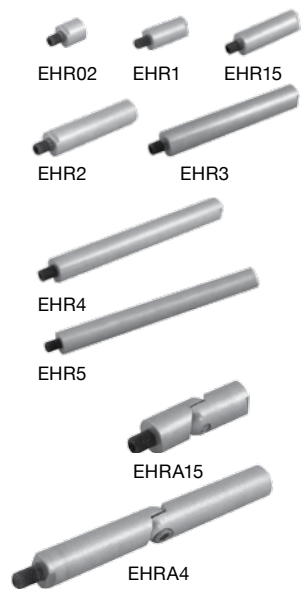
| Finish   | Description        | Price  |
|----------|--------------------|--------|
| <b>A</b> | Chrome Powder Coat | N/C    |
| <b>P</b> | 625 Chrome Plated  | P.O.A. |
| <b>C</b> | 605 Brass Plated   | 21.00  |

**Example: EH20 24120A**

**SDC**  
**SECURITY DOOR CONTROLS**  
 801 Avenida Acaso • Camarillo, CA 93012  
 Email: Service@sdcsecurity.com • www.sdcsecurity.com

Price List Effective February 1, 2017

Price List Effective February 1, 2017



### EXTENSION RODS

LIST

Refer to Figure A to determine correct rod length for each individual openings installation and adjustability requirements

| Model        | Description          |              |
|--------------|----------------------|--------------|
| <b>EHR02</b> | 1/2" Extension Rod   | <b>21.00</b> |
| <b>EHR1</b>  | 1" Extension Rod     | <b>21.00</b> |
| <b>EHR15</b> | 1-1/2" Extension Rod | <b>25.00</b> |
| <b>EHR2</b>  | 2" Extension Rod     | <b>32.00</b> |
| <b>EHR3</b>  | 3" Extension Rod     | <b>32.00</b> |
| <b>EHR4</b>  | 4" Extension Rod     | <b>42.00</b> |
| <b>EHR5</b>  | 5" Extension Rod     | <b>52.00</b> |

### ADJUSTABLE EXTENTION ROD

LIST

| Model         | Description                     |              |
|---------------|---------------------------------|--------------|
| <b>EHRA15</b> | 1-1/2" Adjustable Extension Rod | <b>25.00</b> |
| <b>EHRA4</b>  | 4" Adjustable Extension Rod     | <b>42.00</b> |

### SPECIFY FINISH

Add to List

| Finish   | Description        |               |
|----------|--------------------|---------------|
| <b>A</b> | Chrome Powder Coat | <b>N/C</b>    |
| <b>P</b> | 625 Chrome Plated  | <b>P.O.A.</b> |
| <b>C</b> | 605 Brass Plated   | <b>13.00</b>  |

### OPTIONS & ACCESSORIES

LIST

| Model        | Description  |               |
|--------------|--|---------------|
| <b>EHBB</b>  | Surface Back Box   |               |
| <b>EHBB</b>  | 2-25/32" x 4-7/8" x 1-1/2" (71mm x 124mm x 38mm)<br>Supplied with EH30, EH40, EH42 | <b>42.00</b>  |
| <b>EHCP</b>  | Catch Disk Only  |               |
| <b>EHCP</b>  | Replacement for the catch plate assembly   | <b>32.00</b>  |
| <b>EHSBA</b> | Catch Plate Assembly   | <b>52.00</b>  |
| <b>EHDF</b>  | Drilling Fixture   |               |
| <b>EHDF</b>  | Attach to door for quick and accurate hole location                                | <b>207.00</b> |
| <b>EHW</b>   | Extension Wrenches   |               |
| <b>EHW</b>   | Used to tighten extension rods to catch plate assembly                             | <b>6.00</b>   |

### SPECIFY FINISH FOR SURFACE BACK BOX EHBB

Add to List

| Finish   | Description        |               |
|----------|--------------------|---------------|
| <b>A</b> | Chrome Powder Coat | <b>N/C</b>    |
| <b>P</b> | 625 Chrome Plated  | <b>P.O.A.</b> |
| <b>C</b> | 605 Brass Plated   | <b>38.00</b>  |

### How To Determine Extension Rod & Adjustable Rod Length

**Extensions Rod Application:** Refer to Fig. A for Aligned Catch Plate and Door Holder  
**Adjustable Rod Application:** Refer to Fig. B for Misaligned Catch Plate and Door Holder

1. Hold door open at desired position.
2. Measure distance between door and wall.
3. Subtract below dimension indicated for door holder style

**Flush Mount:** Subtract 3" (76mm) from measured distance to determine minimum rod length.

**Recessed Mount:** Subtract 2-3/8" (60mm) from measured distance to determine minimum rod length.

**Surface Mount:** Subtract 4-5/8" (76mm) from measured distance to determine minimum rod length.

