



## Filler Plates/Angle Brackets



### Filler Plates

For extension of the stop to provide a proper mounting surface on the underside of the header. **See Fig. 1B**

#### FOR 8-3/4" (222mm) SINGLE EMLOCK MODELS

1581 101A85S 101A85T  
101V85S 101V85T

PART #	SIZE: A	B
FP01	1/8" x 1-1/4"	(3 x 32mm)
FP02	1/4" x 1-1/4"	(6 x 32mm)
FP03	3/8" x 1-1/4"	(10 x 32mm)
FP04	1/2" x 1-1/4"	(13 x 32mm)
FP05	5/8" x 1-1/4"	(16 x 32mm)

#### FOR 11" (280mm) SINGLE EMLOCK MODELS

1511 1511S 1511T 101A71S 101A71T  
1513 101S 101T 101V71S 101V71T  
1573

PART #	SIZE: A	B
FP11	1/8" x 1-1/4"	(3 x 32mm)
FP12	1/4" x 1-1/4"	(6 x 32mm)
FP13	3/8" x 1-1/4"	(10 x 32mm)
FP14	1/2" x 1-1/4"	(13 x 32mm)
FP15	5/8" x 1-1/4"	(16 x 32mm)

#### FOR 17 1/2" (445mm) DOUBLE EMLOCK MODEL

1582

PART #	SIZE: A	B
FP30	1/8" x 1-1/4"	(3 x 32mm)
FP31	1/4" x 1-1/4"	(6 x 32mm)
FP32	3/8" x 1-1/4"	(10 x 32mm)
FP33	1/2" x 1-1/4"	(13 x 32mm)
FP34	5/8" x 1-1/4"	(16 x 32mm)

#### FOR 22" (559mm) DOUBLE EMLOCK MODELS

1512 1512D  
1572 101D

PART #	SIZE: A	B
FP21	1/8" x 1-1/4"	(3 x 32mm)
FP22	1/4" x 1-1/4"	(6 x 32mm)
FP23	3/8" x 1-1/4"	(10 x 32mm)
FP24	1/2" x 1-1/4"	(13 x 32mm)
FP25	5/8" x 1-1/4"	(16 x 32mm)

### Special Finishes for Plate and Brackets

#### Standard Finishes

V 628 Anodized Aluminum (Standard) Example: AB02V

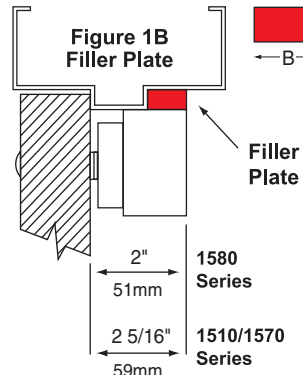
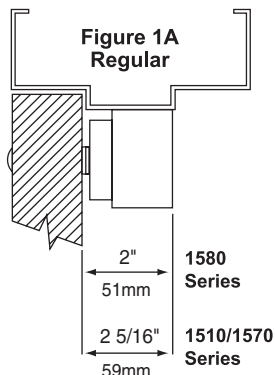
#### Special Finishes

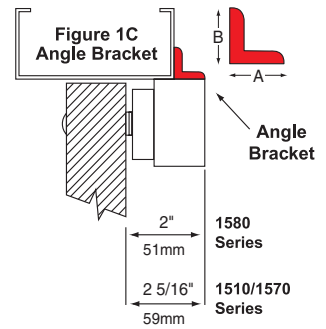
X 313 Dark Bronze  
Y 335 Black

C 605 Bright Brass  
D 606 Satin Brass

F 611 Bright Bronze  
G 612 Satin Bronze

P 625 Bright Chrome  
Q 626 Satin Chrome





**Angle Brackets**

Used as extension on shallow door frames to provide adequate mounting surface. See Figure 1C.

**FOR 8-3/4" (222mm) SINGLE EMLOCK MODELS**

1581 101A85S 101A85T  
101V85S 101V85T

PART #	SIZE:	A	B	
AB01	1"	x 1"	(25 x 25mm)	
AB02	1"	x 1-1/2"	(25 x 38mm)	
AB03	1-1/2"	x 1-1/2"	(38 x 38mm)	
AB04	2"	x 1-1/2"	(51 x 38mm)	

**FOR 11" (280mm) SINGLE EMLOCK MODELS**

1511 1511S 1511T 101A71S 101A71T  
1513 101S 101T 101V71S 101V71T  
1573

PART #	SIZE:	A	B	
AB11	1"	x 1"	(25 x 25mm)	
AB12	1"	x 1-1/2"	(25 x 38mm)	
AB13	1-1/2"	x 1-1/2"	(38 x 38mm)	
AB14	2"	x 1-1/2"	(51 x 38mm)	

**FOR 17 1/2" (445mm) DOUBLE EMLOCK MODEL**

1582

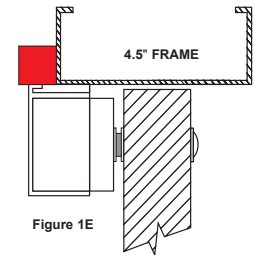
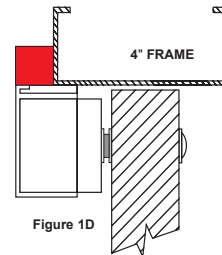
PART #	SIZE:	A	B	
AB30	1"	x 1"	(25 x 25mm)	
AB31	1"	x 1-1/2"	(25 x 38mm)	
AB32	1-1/2"	x 1-1/2"	(38 x 38mm)	
AB33	2"	x 1-1/2"	(51 x 38mm)	

**FOR 22" (559mm) DOUBLE EMLOCK MODELS**

1512 1512D  
1572 101D

PART #	SIZE:	A	B	
AB21	1"	x 1"	(25 x 25mm)	
AB22	1"	x 1-1/2"	(25 x 38mm)	
AB23	1-1/2"	x 1-1/2"	(38 x 38mm)	
AB24	2"	x 1-1/2"	(51 x 38mm)	

See special finishes on front page.



**Universal Header Bracket**

Used in lieu of angle brackets, Universal Header Brackets provide a faster mounting solution, saving time and labor costs for several EmLock models. Reduce potential for mis-sized and misaligned mounting holes, broken taps, removal of broken taps. Combined with interlocking E-Z mount assembly, save up to a half days labor with the installation of 12 locks.

**Features**

- Solid 1" bar provides higher security and superior aesthetics.
- Machined wire chase provides concealed and secure wiring.
- Multiple predrilled and tapped mounting holes to accommodate the use of several different locks on either 4" or 4.5" aluminum frames. See Figure 1D & 1E.

**Bracket for 1511, 1513, 1571, 1573**  
UB11 1" x 1" x 11" (25 x 25 x 280mm)

**Aluminum Standard**  
Example: UB1Y

**Bracket for 1512, 1572**  
UB12 1" x 1" x 22" (25 x 25 x 559mm)

**Special Finishes**  
See front page under Filler Plates for special finish designation.

