

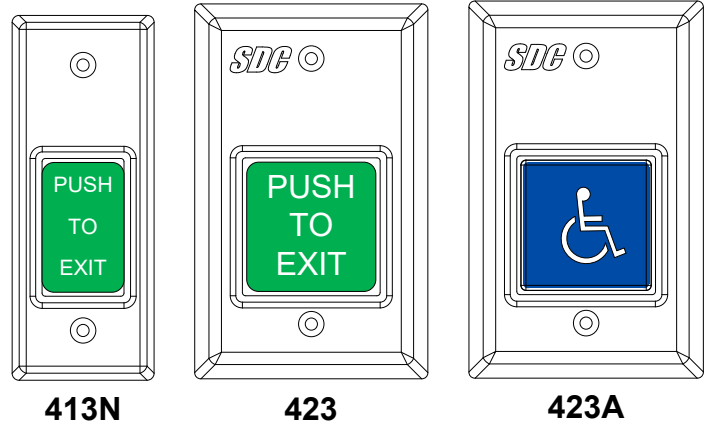
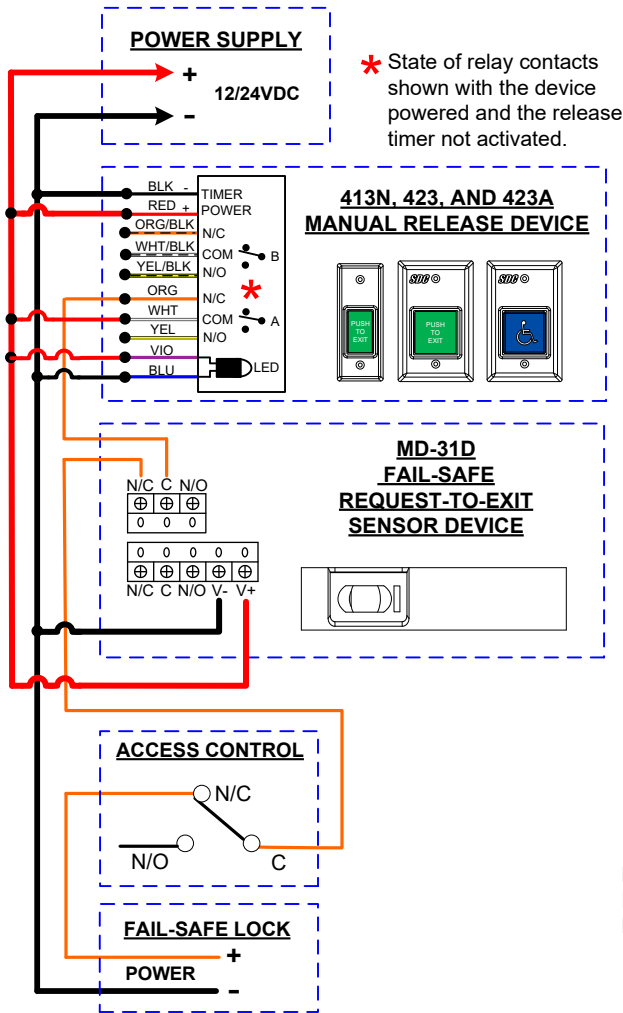


INSTALLATION INSTRUCTIONS

413N & 423 PUSH SWITCH 1-60 SECOND ADJUSTABLE TIME DELAY

When the button is pressed, the lock releases for 1-60 seconds. If pressed again during the lock release period, the unit will “Retrigger” starting a new release period.

TYPICAL FAIL-SAFE WIRING



Electrical Specifications

- Input Voltage : 12/24 VDC @ 90mA
- LED Indicator : 12/24 VDC @ 10/20mA
- Output Relay : DPDT
- Max Load : 30 VDC @ 3Amp (Resistive/Inductive)
- Wire Size : 12~22AWG (Single)

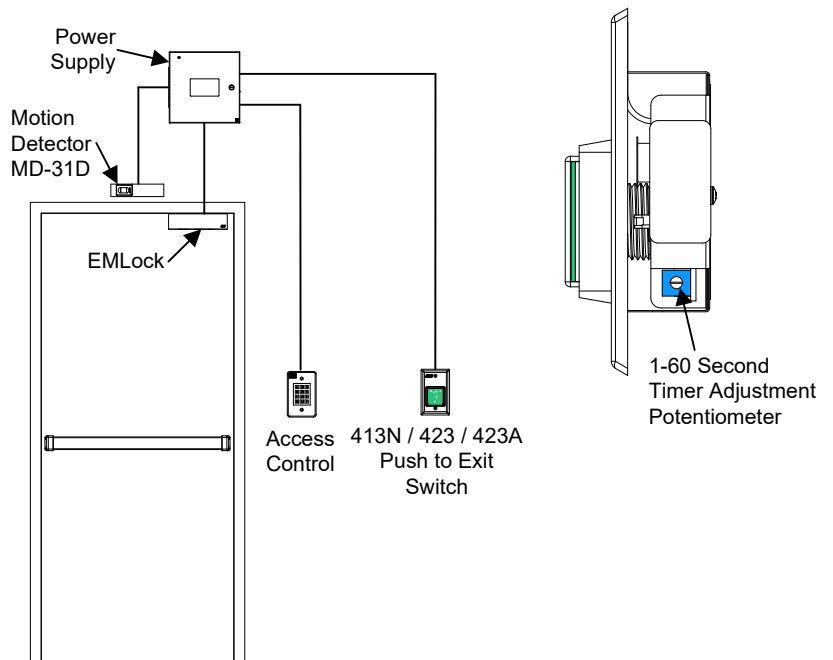
UL 294 Performance Rating

- SECURITY** Level I : Line Security
Destructive Attack
Standby Power
- UL LISTED** Level IV : Endurance

All peripheral modules for UL compliance are required to be UL Listed UL 294.

To be used with a Class 2 power supply or voltage compatible UL 294 or UL 603 listed power supply

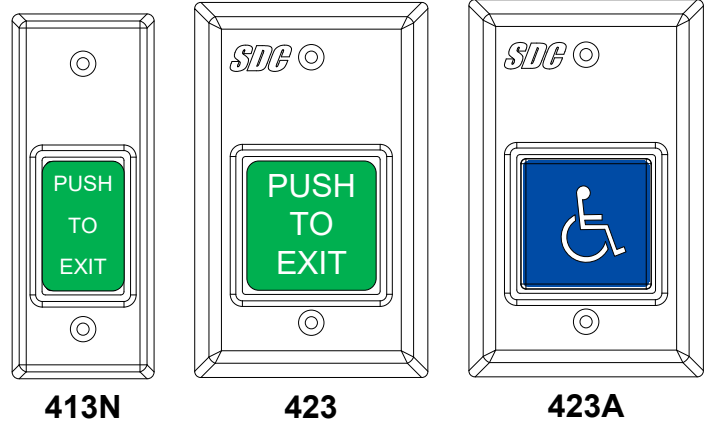
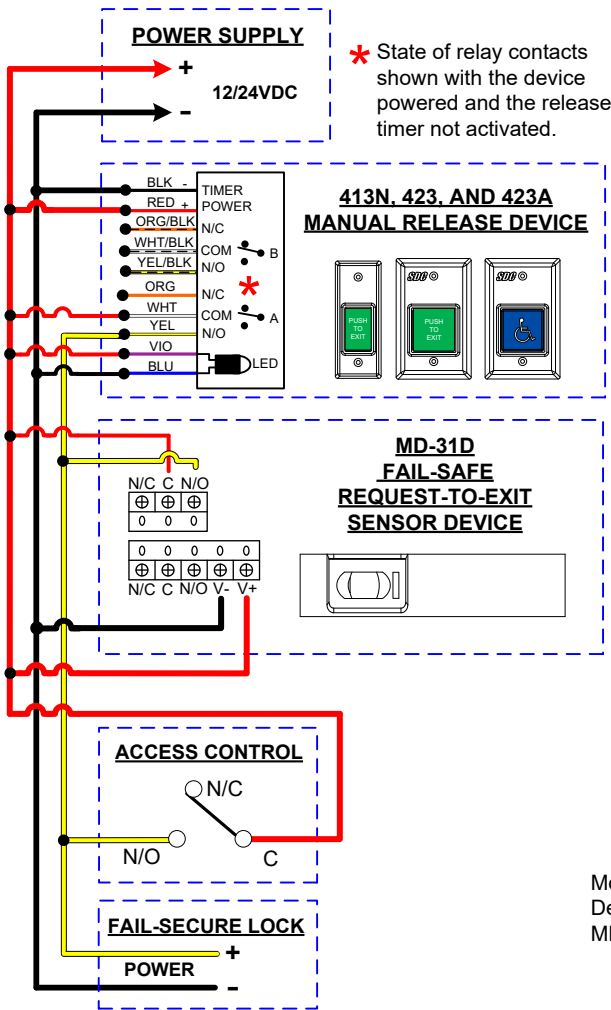
Compliance with ANSI/NFPA 70 National Electrical Code



Any suggestions or comments to this instruction or product are welcome. Please contact us through our website or email engineer@sdsecurity.com



TYPICAL FAIL-SECURE WIRING



Electrical Specifications

- Input Voltage : 12/24 VDC @ 90mA
- LED Indicator : 12/24 VDC @ 10/20mA
- Output Relay : DPDT
- Max Load : 30 VDC @ 3Amp (Resistive/Inductive)
- Wire Size : 12~22AWG (Single)

UL 294 Performance Rating

- SECURITY** Level I : Line Security
Destructive Attack
Standby Power
- UL LISTED** Level IV : Endurance

All peripheral modules for UL compliance are required to be UL Listed UL 294.

To be used with a Class 2 power supply or voltage compatible UL 294 or UL 603 listed power supply

Compliance with ANSI/NFPA 70 National Electrical Code

