

# SDC SECURITY DOOR CONTROLS

801 Avenida Acaso, Camarillo, Ca. 93012 • (805) 494-0622 • Fax: (805) 494-8861  
 www.sdcsecurity.com • E-mail: service@sdsecurity.com

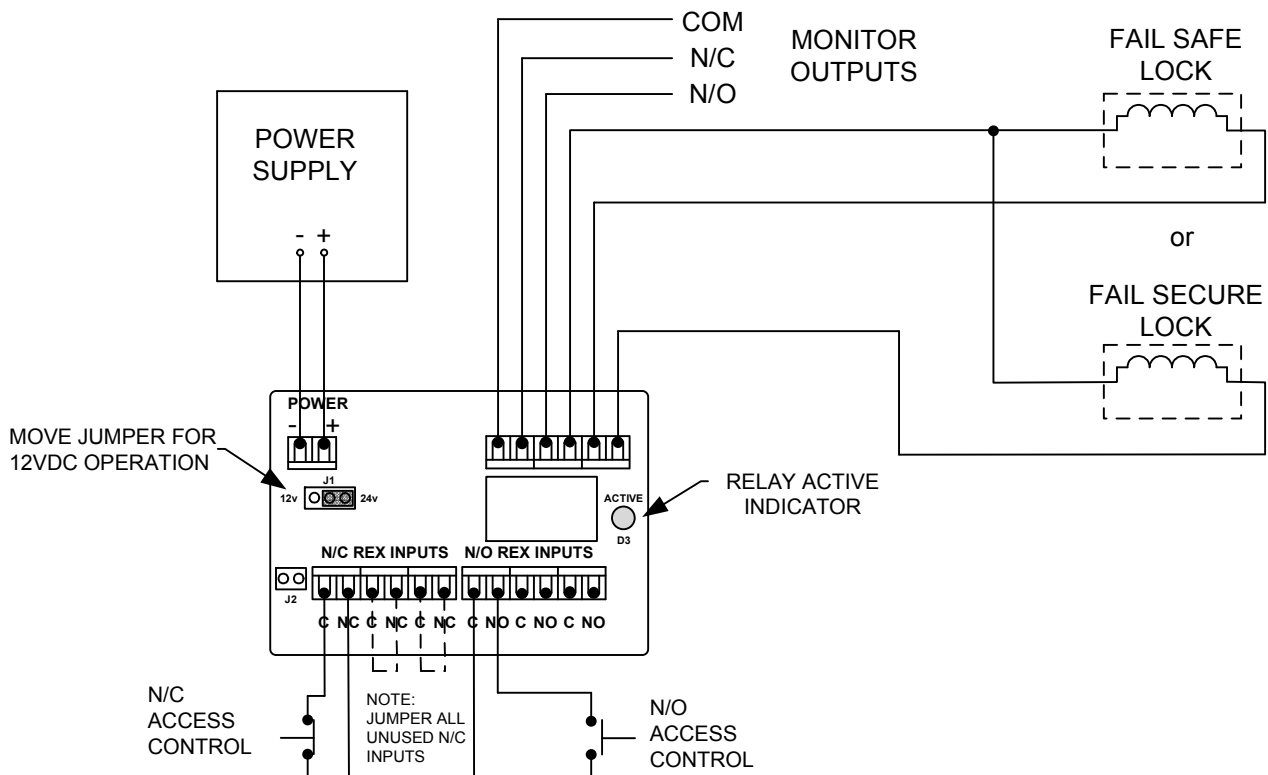
## INSTALLATION WIRE DIAGRAM ACM-1

The SDC ACM-1 Access Control Module is an installer friendly interface relay board designed to release a magnetic locking device or electric strike, to provide a lock status output and to provide easy to use multiple wiring terminals for additional access control REX (Request to Exit) inputs.

### Operation

When any REX input is activated, the relay will release the magnetic lock or electric strike. The Lock Status Output will change state and the green LED will illuminate.

Compatible with any Request to Exit (REX) output, i.e. Request-to-Exit Push Bar, Keypad, Card Reader, Motion Sensor, Push Button or Key Switch.



### ELECTRICAL DATA

- 12/24vdc Input Voltage.
- 75mA Input controller current.
- 3 – N/C Normally Closed Inputs with screw terminals.
- 3 – N/O Normally Open Inputs with screw terminals.
- 5 Amp (Resistive) Fail Safe Lock Output.
- 5 Amp (Resistive) Fail Secure Lock Output.
- Lock Status Output – SPDT (Form C) Dry Contact.
- Green LED Indicator – Illuminated when lock is activated.
- Size: 3.20" (81.28mm) W x 2.00" (50.8mm) L x 1.00" (25.4mm) H.
- Fits all SDC Power Supplies. Requires 1 Module space.
- Supplied with mounting screws and standoffs for J-box mounting.

Any suggestions or comments to this instruction or product are welcome. Please contact us through our website or email [engineer@sdsecurity.com](mailto:engineer@sdsecurity.com)