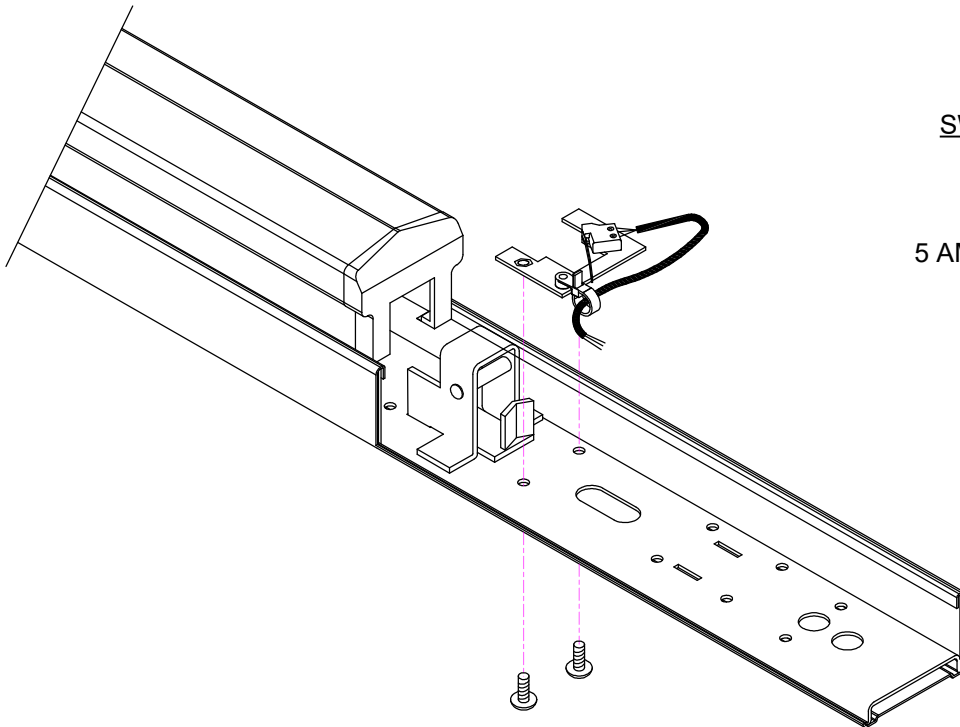




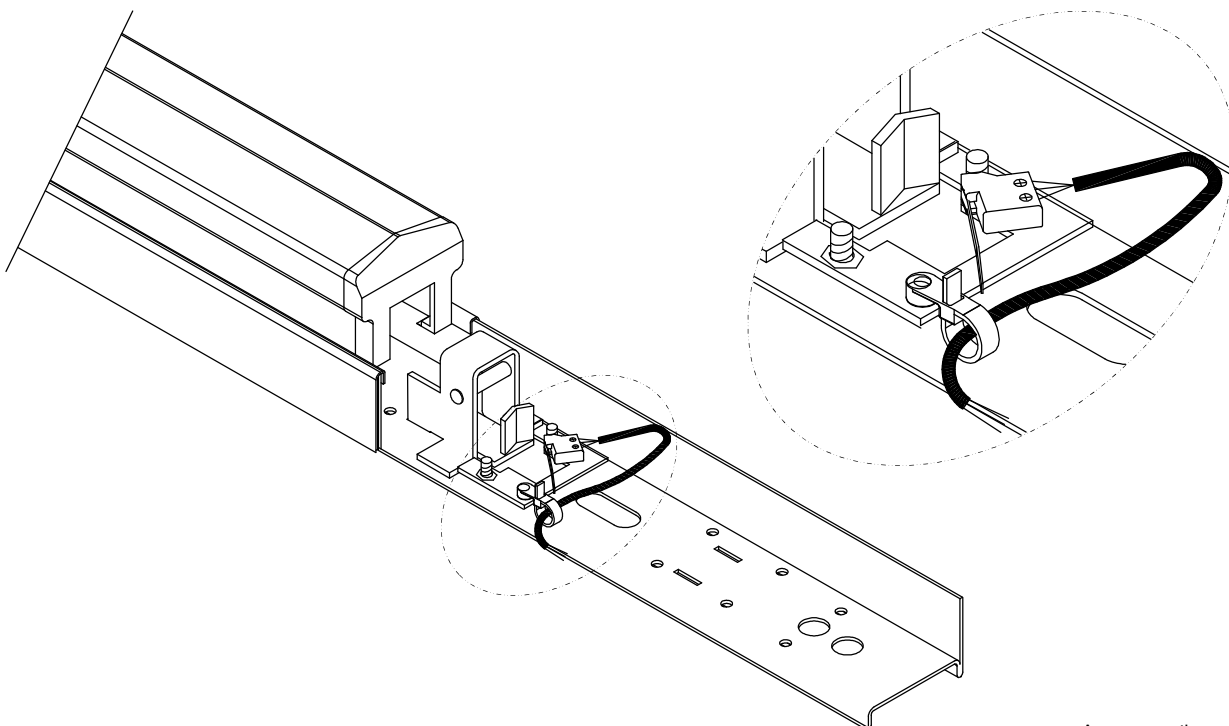
INSTALLATION INSTRUCTIONS

LRY1R REX STATUS KIT 7000 SERIES YALE DEVICES

Remove Device End Cap and cover. Position the switch bracket where shown and attach to the device with the two supplied #8-32 screws. Re-attach Cover and End Cap.



SWITCH SPECIFICATION
WHT – COM
GRN – N/O
RED – N/C
5 AMP @ 250VAC RESISTIVE



Any suggestions or comments to this instruction or product are welcome. Please contact us through our website or email engineer@sdsecurity.com