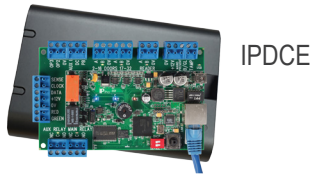


# IP Pro™ Access Control Solution

## Single Door Electrified Lock Application

### 1 Access Control

IP Controller



### 2 Power Supply



12 and 24VDC Output



602RFX12VR

OPTIONAL BATTERY BACKUP  
RB12V4-2

### 3 Wiegand Reader Options (Choose one):

Prox Reader or Keypad-Prox Combo



IPRW



920PW



923PW



OPTIONAL CREDENTIALS  
Fobs - HID1346-10  
Cards - HID1326-25

### 4 Electrified Lock

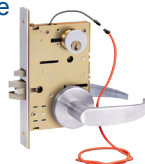


(Choose one):

Cylindrical or Mortise



Z7252EQ



Z7852EQ

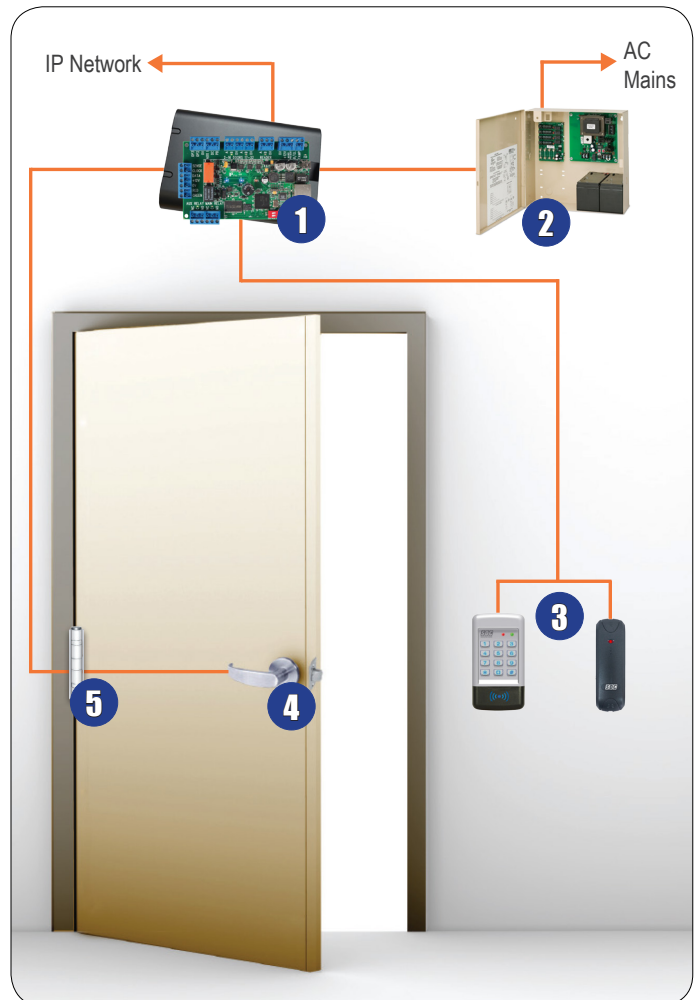
### 5 Power Transfer Hinge



4 Wire, 4 1/2" x 4 1/2"



PTH-4Q



## SYSTEM OPERATION

Door is normally closed and secured by an electrified lockset.

**Emergency Override:** The door may be accessed by key override.

**Authorized Access:** Presenting a valid card or entering a valid user code on the reader will momentarily unlock the door for access. The unlock time will be configured by the access control programming. The door may also be programmed for maintained access.

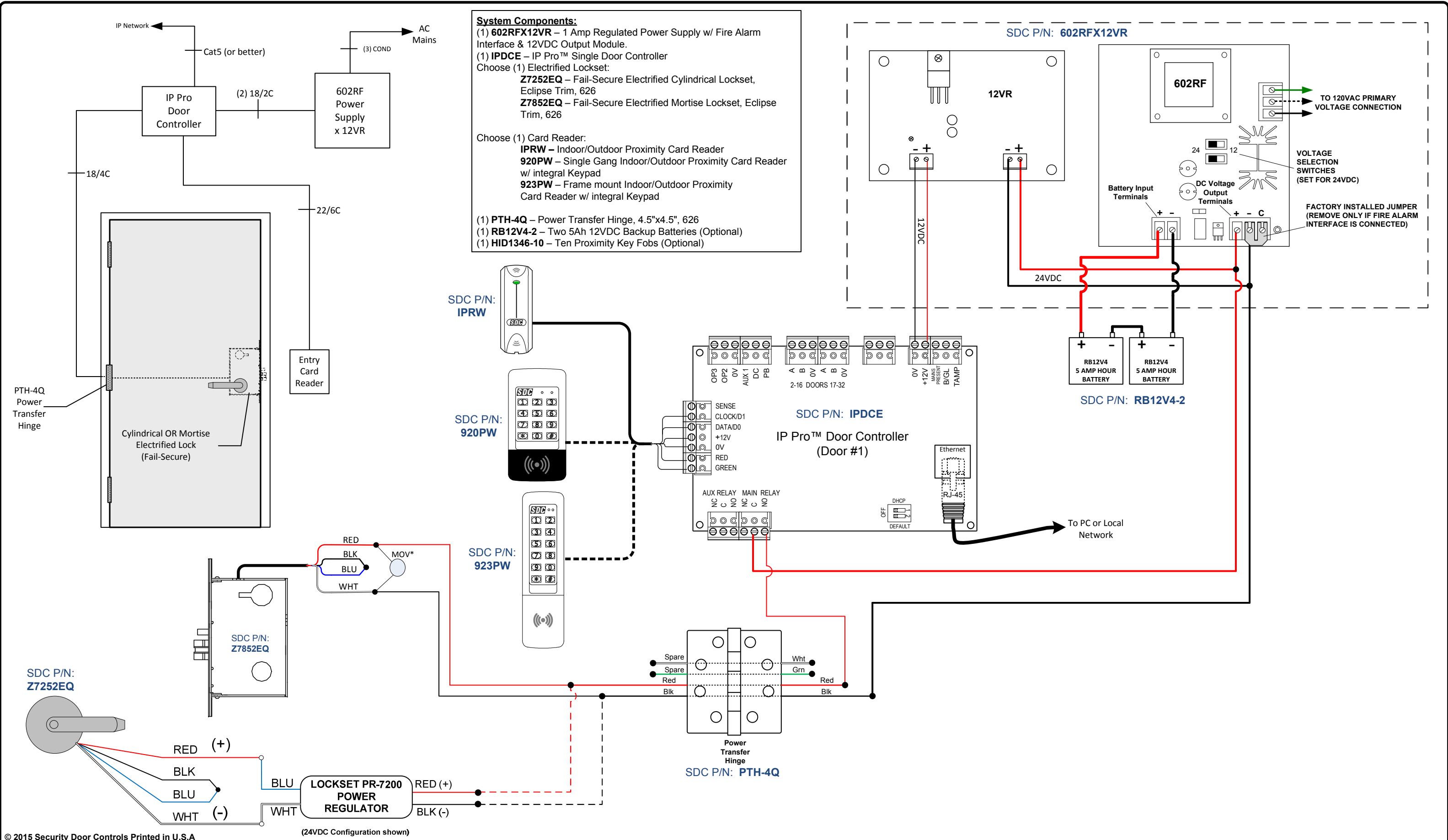
**Low Voltage:** System is powered by a regulated & filtered power supply with 12VDC output for access control equipment and 24VDC output for locking hardware to maximize efficacy. Loss of power will result in unsecured door, unless equipped with optional battery back-up.

**Authorized Egress:** Free egress is available at all times by turning the inside lever, retracting the latchbolt, and opening the door.

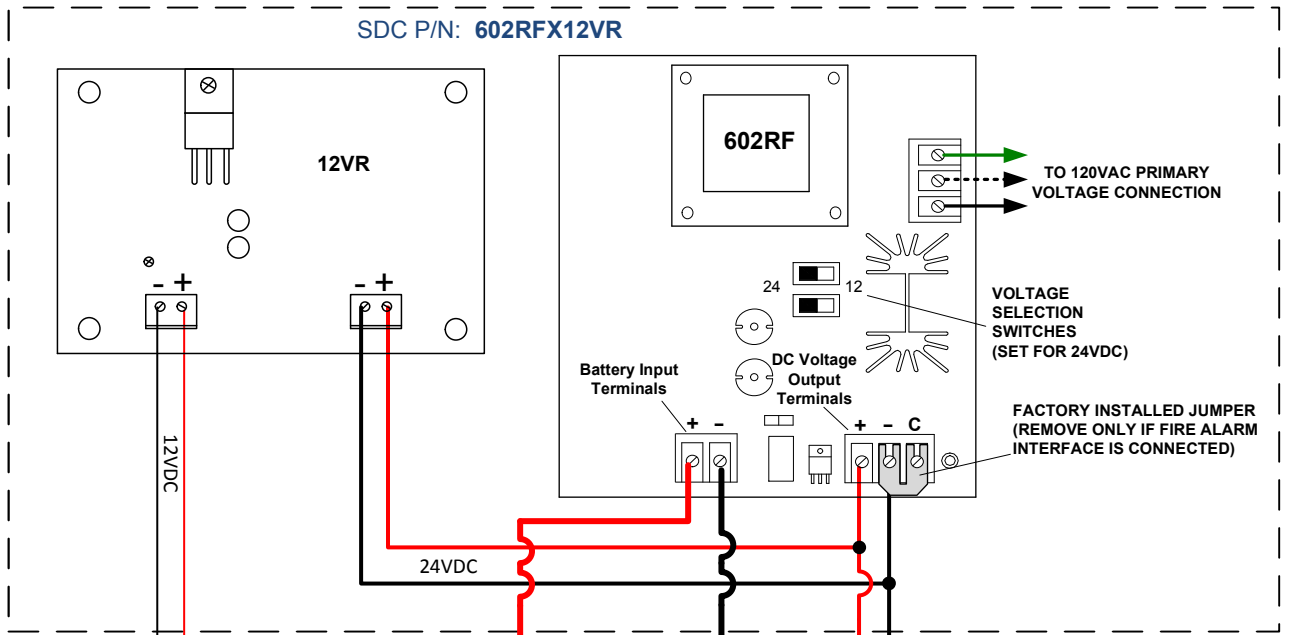
**IP-based Access Control:** User-friendly programming interface via a built-in web server, accessible from any networked PC.



(800) 413-8783 ▪ [www.SDCsecurity.com](http://www.SDCsecurity.com)



- System Components:**
- (1) 602RFX12VR – 1 Amp Regulated Power Supply w/ Fire Alarm Interface & 12VDC Output Module.
  - (1) IPDCE – IP Pro™ Single Door Controller
  - Choose (1) Electrified Lockset:
    - Z7252EQ – Fail-Secure Electrified Cylindrical Lockset, Eclipse Trim, 626
    - Z7852EQ – Fail-Secure Electrified Mortise Lockset, Eclipse Trim, 626
  - Choose (1) Card Reader:
    - IPRW – Indoor/Outdoor Proximity Card Reader
    - 920PW – Single Gang Indoor/Outdoor Proximity Card Reader w/ integral Keypad
    - 923PW – Frame mount Indoor/Outdoor Proximity Card Reader w/ integral Keypad
  - (1) PTH-4Q – Power Transfer Hinge, 4.5"x4.5", 626
  - (1) RB12V4-2 – Two 5Ah 12VDC Backup Batteries (Optional)
  - (1) HID1346-10 – Ten Proximity Key Fobs (Optional)



© 2015 Security Door Controls Printed in U.S.A

**Security Door Controls**  
 801 Avenida Acaso  
 Camarillo, CA 93012  
 t 805.494.0622 ~ f 805.494.8861  
 www.sdcsecurity.com

NOTE: ALL WIRING MUST BE REVIEWED AND APPROVED BY THE PROJECT ENGINEER ASSIGNED TO THE LOCATION FOR ITS CORRECTNESS AND SUITABILITY FOR THE APPLICATION IN WHICH THE EQUIPMENT IS INSTALLED AND OPERATED. ALL WIRING MUST CONFORM TO NATIONAL, STATE, AND LOCAL CODES FOR CLASS 2 FIRE PROTECTION AND CONTROL DEVICES.

PROJECT NAME:  
 IP Pro Single Door Applications

LOCATION: --

TITLE:  
 IP Pro™ 1-Door System with Electrified Cylindrica or Mortise Lock

DIST.: -

CONTACT:  
 service@sdsecurity.com

DATE:  
 07/2015

SO NO.: -

REV -

DWG. NO.:  
 IPPRO Apps

Page 8 of 8