

### Application

SDC key switch assemblies provide an economical method of providing authorized control for a variety of applications. A choice of several contact configurations ensure compatibility with virtually any system.

Applications include:

- **Access Control**
- **Automatic Gate Operation**
- **Roll Up Door Operation**
- **Alarm Shunt**
- **Alarm Reset**
- **Machine Operation**

### New Construction or Retrofit

SDC key switch assemblies are compatible with U.S. standard, 1.125" and 1.25" mortise key cylinders and interchangeable core cylinders (not included). Compatibility with a new or existing facility mechanical key system is maintained. Standard switch assemblies are single gang box mounted. Assemblies equipped with narrow faceplates are mounted directly to the door frame.

### Functions

- **Momentary**
- **Timed Actuation (1-60 seconds)**
- **Alternate Action (On-Off)**

### Features

- **Tamper resistant, recessed cylinder** (all except 700N)
- **Tamper resistant spanner screws**
- **Heavy duty all steel assembly**
- **Stainless steel faceplates of 20 gauge or 0.25" thickness.**
- **Large actuator for positive and consistent activation**
- **6 Amp @ 30 VDC**
- **7", 22 gauge wire leads**

### 700 Series

- 20 gauge, stainless steel faceplate
- Spanner security screws and tool
- Plated finishes optional

#### 700

- Single gang, wall mounted
- Anti-tamper recessed key cylinder

#### 700N

- Narrow 1.75" wide, frame mo



700



700N

### 800 Series High Security

- 0.25" thick face plate
- Spanner security screws and tool
- Anti-tamper plugs for mounting screws
- Anti-tamper, recessed key cylinder
- Plated and dark bronze anodized finishes optional

#### Base Material

0.25" thick stainless steel is standard when dull stainless steel and plated finishes are specified. 0.25" thick aluminum is standard when anodized finishes are specified for matching aluminum frames.



800



800N

#### 800

- Single gang, wall mounted

#### 800N

- Narrow, 1.75" wide, frame mounted
- Four mounting screws provide increased integrity



MADE IN THE USA

SECURITY DOOR CONTROLS



**700**

- Security Screws
- Cylinder Recess (N/A 700N)
- 20 gauge Stainless Steel



**700N**

10 Amp	6 Amp	Alternate Action SPDT	Application
701-10	701	Turning the key left or right actuates and latches the contact. Contact position is maintained until the key is inserted and turned again.	<ul style="list-style-type: none"> <li>• Circuit on-off</li> <li>• Access control bypass</li> <li>• Alarm bypass</li> <li>• Machine operation</li> </ul>
701N-10	701N		
	701T		
801-10	801		
801N-10	801N		
	801T		



**800**

- 0.25" Faceplate
- Anti-Tamper Plugs
- Security Screws
- Cylinder Recess
- Stainless steel or aluminum standard



**800N**

10 Amp	6 Amp	Momentary SPDT	Applications
702-10	702	Turning the key left or right momentarily actuates the contact.	<ul style="list-style-type: none"> <li>• Momentary access</li> <li>• Timer activation</li> <li>• Alarm reset</li> </ul>
702N-10	702N		
	702T		
802-10	802		
802N-10	802N		
	802T		



**700T / 800T**

- Two Gang
- 4 security screws
- 20 gauge or 0.25" stainless steel standard

Two gang faceplates provide for the use of a larger junction box to accommodate time delays, audible annunciation and increased wiring.

6 Amp	Momentary SPDT plus 10TD Electronic Mini Timer SPDT 2 Amp @ 30 VDC Adjustable 1-60 seconds	Applications
704	Turning the key left or right activates an electronically timed contact for 1 to 60 seconds.	<ul style="list-style-type: none"> <li>• Timed access</li> <li>• Timed alarm shunt</li> </ul>
804T		
704		
804T		

6 Amp	Alternate Action DPDT	Applications
705	Turning the key left or right actuates and latches the contacts. Contact position is maintained until the key is inserted and turned again.	Control two circuits simultaneously
705N		
705T		
805		
805N		
805T		

**Finish**

**700 / 700N / 700T / 800 / 800N / 800T**  
(Base material, stainless steel or brass)

- C** 605 Bright Brass
- D** 611 Satin Brass
- F** 611 Bright Bronze
- G** 612 Satin Bronze
- H** 613 Oil Rubbed Bronze
- P** 625 Bright Chrome
- U** 630 Satin Stainless Steel (standard)

**800AL / 800ALN / 800ALT**  
(base material, 0.25" aluminum)

- V** 628 Satin Aluminum (standard)
- X** 313 Dark Bronze
- Y** 335 Black

**Example: 702U 802NV**

6 Amp	Momentary DPDT	Application
706	Turning the key left or right momentarily actuates the contacts.	Control two circuits simultaneously
706N		
706T		
806		
806N		
806T		

6 Amp	#1 Momentary SPDT #2 Momentary SPDT	Application
707	Turning the key left momentarily actuates contact #1. Turning the key right momentarily actuates contact #2.	Control two circuits independently
707N		
707T		
807		
807N		
807T		

<b>6 Amp</b> 708 708N 708T	<b>#1 Momentary SPDT</b>	<b>Application</b> Control two circuits independently
	<b>#2 Alternate Action SPDT</b>	
808 808N 808T	Turning the key left momentarily actuates contact #1. Turning the key right actuates and latches contact #2 until the key inserted and turned again.	<ul style="list-style-type: none"> <li>• Momentary access and sustained bypass of a door</li> </ul>

<b>6 Amp</b> 709 709N 709T	<b>#1 Alternate Action SPDT</b>	<b>Application</b> Control two circuits independently
	<b>#2 Alternate Action SPDT</b>	
809 809N 809T	Turning the key left actuates and latches contact #1. Turning the key right actuates and latches contact #2.	<ul style="list-style-type: none"> <li>• Bypass single station with #1</li> <li>• Bypass all with #2</li> </ul>

<b>6 Amp</b> 710T 810T	<b>#1 Momentary SPDT plus 10TD Electronic Mini Timer SPDT 2 Amp, 1-60 second</b>	<b>Application</b> Control two circuits independently
	<b>#2 Alternate Action SPDT</b>	
	Turning the key left activates an electronically timed contact #1 for 1 to 60 seconds. Turning the key right actuates & latches contact #2.	<ul style="list-style-type: none"> <li>• Timed access and sustained bypass of a door</li> <li>• Timed alarm shunt (REX) and sustained alarm shunt</li> </ul>

<b>6 Amp</b> 711 711N 711T	<b>#1 Momentary DPDT</b>	<b>Application</b> Control two pairs of circuits independently
	<b>#2 Momentary DPDT</b>	
811 811N 811T	Turning the key left momentarily actuates contact #1. Turning the key right momentarily actuates contact #2.	

<b>6 Amp</b> 712 712N 712T	<b>#1 Momentary DPDT</b>	<b>Application</b> Control two pairs of circuits independently
	<b>#2 Alternate Action DPDT</b>	
812 812N 812T	Turning the key left momentarily actuates contact #1. Turning the key right actuates and latches contact #2 until the key is inserted and turned again.	<ul style="list-style-type: none"> <li>• Activate a time delay, REX input or alarm shunt with #1</li> <li>• Access control and alarm bypass with #2</li> </ul>

<b>6 Amp</b> 713 713N 713T	<b>#1 Alternate Action DPDT</b>	<b>Application</b> Control two pairs of circuits independently
	<b>#2 Alternate Action DPDT</b>	
813 813N 813T	Turning the key left actuates and latches contact #1. Turning the key right actuates and latches contact #2.	

**Options**

Not available with FR series

**ATS** Anti-Tamper Switch.

**L1** One LED. Specify Red or Green.

**L2** Two LEDs: One Red, One Green.

**RMB** Buzzer. May be wired to sound when door is unlocked. 12 and 24VDC operation (700T only).

**SN** 85 db Siren. 3-28VDC (700T only).

**10TD Mini Timer**



The electronic Mini Timer provides timed unlocking and is compatible with all SDC momentary key and exit switches equipped with normally open contacts. The Mini Timer fits inside two gang key and exit switch assemblies, remote junction box and narrow frames.

**Voltage Input:** 12/24VDC @ 50 mA

**Trigger Input:** N.O. Dry

**Contact:** SPDT Dry, 2 Amps @ 30VDC

**Wire Leads:** 7", 2 Gauge

**Time Adj:** 1 to 60 seconds

**Size:** 0.75"W x 1.5"H x 2.25"D  
(19.05 x 38.1 x 57.15mm)

**Key Cylinder**



**CYL-KD**

1.25" Mortise Key Cylinder and 2 keys. Keyed different. Two different tail pieces provided. See page 4.

**Specification Example**



**702NU x L2**

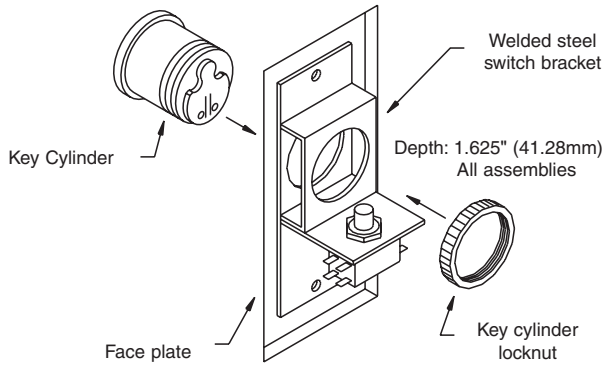


**702U x L2**



**708TU x L2 x SN**

**Assembly Details**



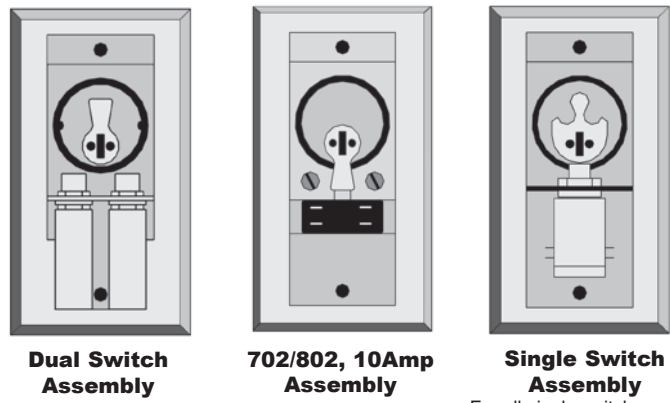
**Faceplate Dimensions**

- 700:** 2.875"H x 4.5"W x 20 Ga. (73 x 114 x 0.912mm)
- 700N:** 1.75"H x 4.5"W x 20 Ga. (45 x 114 x 0.912mm)
- 700T:** 4.5"H x 4.5"W x 20 Ga. (112 x 112 x 0.912mm)
- 800:** 3.25"H x 5"W x 0.25"D (83 x 127 x 6.35mm)
- 800N:** 1.75"H x 5"W x 0.25"D (45 x 127 x 6.35mm)
- 800T:** 5"H x 5"W x 0.25"D (127 x 127 x 6.35mm)

**Assembly Tools**

For convenience, a small spanner tool is provided with the assembly for fastening of spanner security screws.

Part # **SS632**, a standard spanner screwdriver, may be ordered separately.



For all single switch assemblies except 10A 702/802 configuration.

**Tailpiece** (actual size shown)



Compatible with all dual switch assemblies and 10A configuration of 702/802.



Compatible with all single and dual switch assemblies except 10A 702/802 configuration.

**700N /800N Frame Preparation**

1.75" (44.45mm) minimum frame face

