

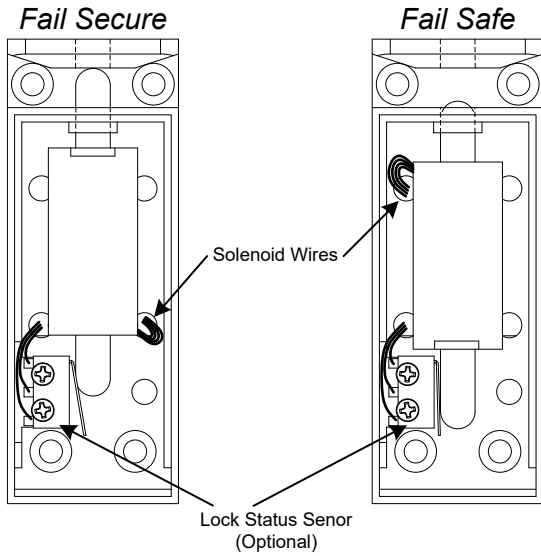


INSTALLATION INSTRUCTIONS

290 SERIES CABINET LOCK

The cabinet lock is designed to be installed into cabinets and lockers, etc., with either swing or sliding doors. The lock is supplied in the Fail Secure: "Power to open" configuration set by the factory.

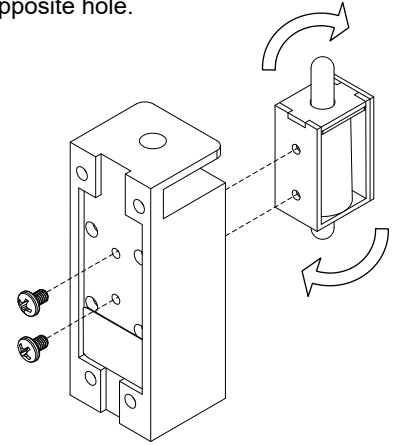
Lock Mode of Operation Configurations:



Changing Lock Mode of Operation

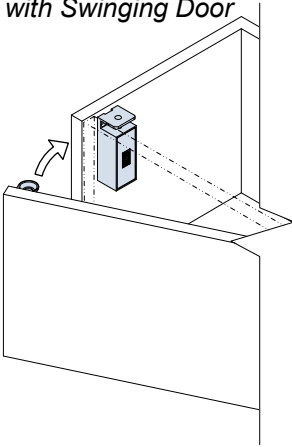
Fail Secure to Fail Safe (or vice-versa):

1. Remove the two rear solenoid screws.
2. Reverse solenoid position.
3. Secure solenoid with screws and replace wire in opposite hole.

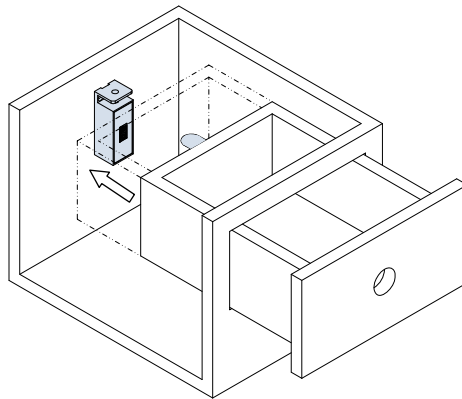


Mounting Configurations:

*Strike Side Entry
with Swinging Door*

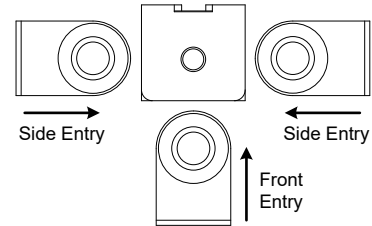


*Strike Front Entry
with Sliding Door*

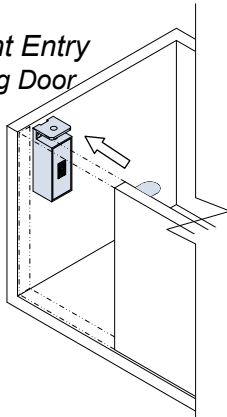


Strike Position

Strike can enter lock from any three sides.

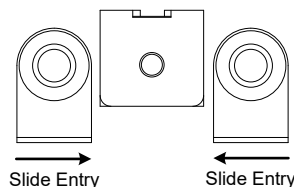


*Strike Front Entry
with Sliding Door*

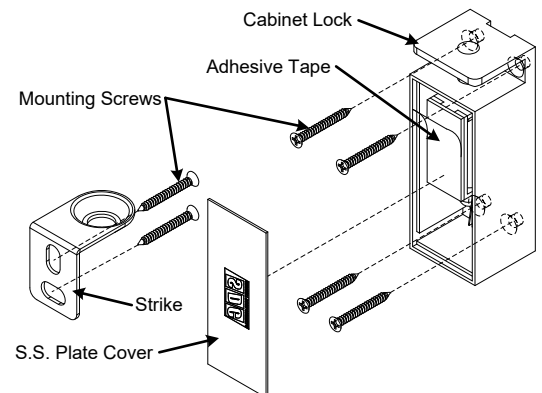


Strike Position

Strike can also enter on either sliding entry.



Mounting Parts



Any suggestions or comments to this instruction or product are welcome. Please contact us through our website or email engineer@sdsecurity.com

LOCK WIRING

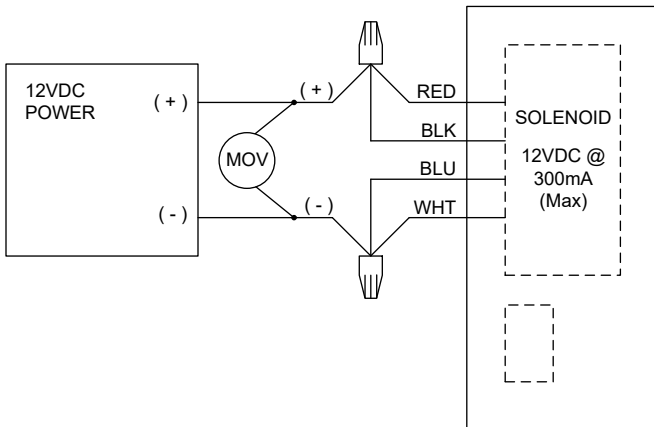
Electrical Specifications:

Solenoid: Dual Voltage (300/150):
 12VDC @ .3 Amp (Max)
 24VDC @ .15 Amp (Max)

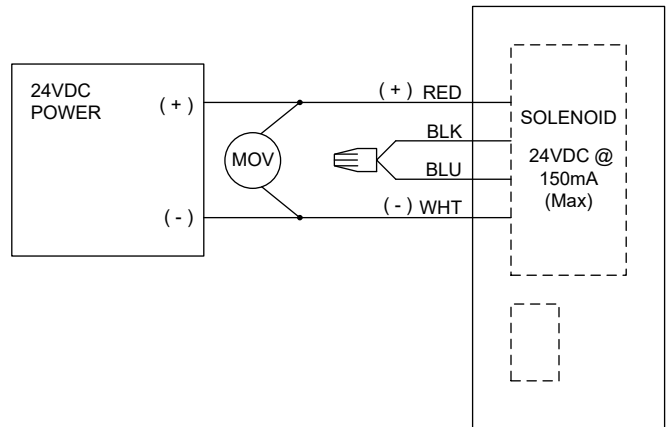
Lock Status Switch: 30 VDC @ .1 Amp (Max)

Solenoid Voltage Configurations:

12VDC Solenoid Configuration

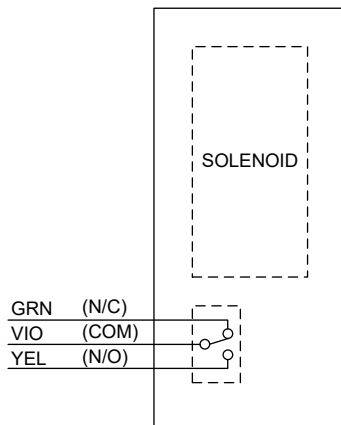


24VDC Solenoid Configuration

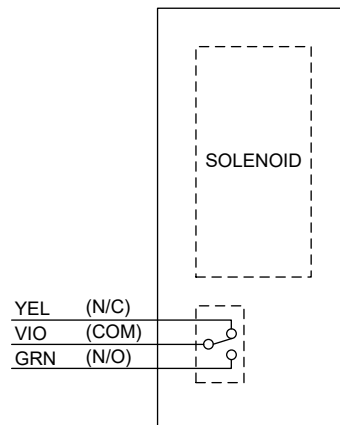


Lock Status Switch Wiring (Optional):

Lock Status Switch Wiring for Fail Secure



Lock Status Switch Wiring for Fail Safe





290 CABINET LOCK DIMENSIONAL REFERENCES

DRAWING IS NOT TO SCALE. USE AS DIMENSIONAL REFERENCE ONLY. DIMENSIONS ARE SUBJECT TO CHANGE WITHOUT NOTICE.

