



## Excel™ E1200-390MP Magnetic Lock Retrofit Kit for Discontinued Locknetics 390+

The E1200-390MP Mounting Plate provides the simplest and most economical solution for retrofitting Locknetics 390+ Series lock:

The E1200-390MP utilizes the existing mounting plate holes to mount SDC's E1200 Excel Series lock (sold separately).

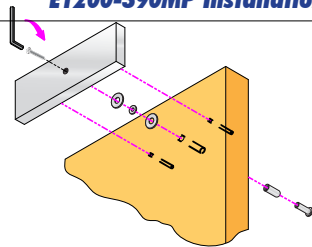
### Advantages:

- Saves valuable time by using the existing door and header prep. No additional holes are required through the door.
- All required hardware is included.
- Utilizes SDC's E1200 Excel Series lock with Door & Lock Monitoring options standard.

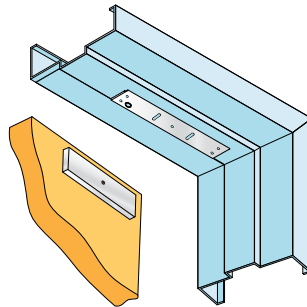


**E1200-390MP Mounting Plate**

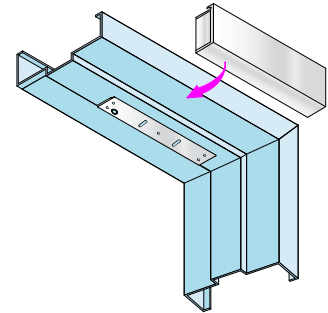
### E1200-390MP Installation



- Mount the new armature to the door using the existing sexbolt hole and the supplied hardware.



- Install the new mounting plate using the existing mounting plate holes and the supplied hardware.



- Locate the wire hole on the new mounting plate & drill a 3/8" dia. hole through the header.

- Attach the SDC lock onto the new mounting plate with the magnetic stripes towards the door side of the stop.

## EMLock® 1511-390AMP Magnetic Lock Retrofit Kit for Locknetics 390+ Retrofit Kit

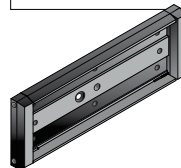
For customers with high security requirements, the 1511-390AMP Armature Mounting Plate provides an easy solution for replacing Locknetics 390+ Series with SDC's Grade 1, 1510 Series Emlock (sold separately).

The 1511-390AMP mounts to the existing sex bolt hole using the existing armature hardware, while only requiring only a minor modification to the frame.

### Advantages:

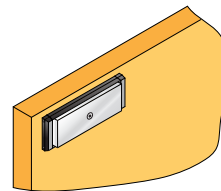
- Uses the existing sex bolt prep and hardware. No additional holes are required through the door.
- Armature Mounting plate comes pre-tapped with the new armature mounting holes, saving time for the installer.
- All required hardware is included.
- When using the supplied template, only a slight modification is required to the frame. The existing holes will be concealed.

### 1511-390AMP Installation



**1511-390-AMP Retrofit Kit**

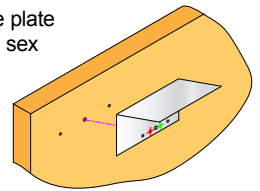
**SDC EMLock  
Ordered Separately**  
 1571 1200lb, 3W  
 Energy Saver  
 1511 1650lb



2. Attach retrofit plate and armature Using existing sex bolt hole and Retrofit plate mounting screws

1. Align retrofit armature plate template with existing sex bolt hole.

Mark and drill new armature and header lock mounting plate holes.



3. Attach new lock mounting plate over old mounting holes Attach 1511 or 1571 to mounting plate holes.

