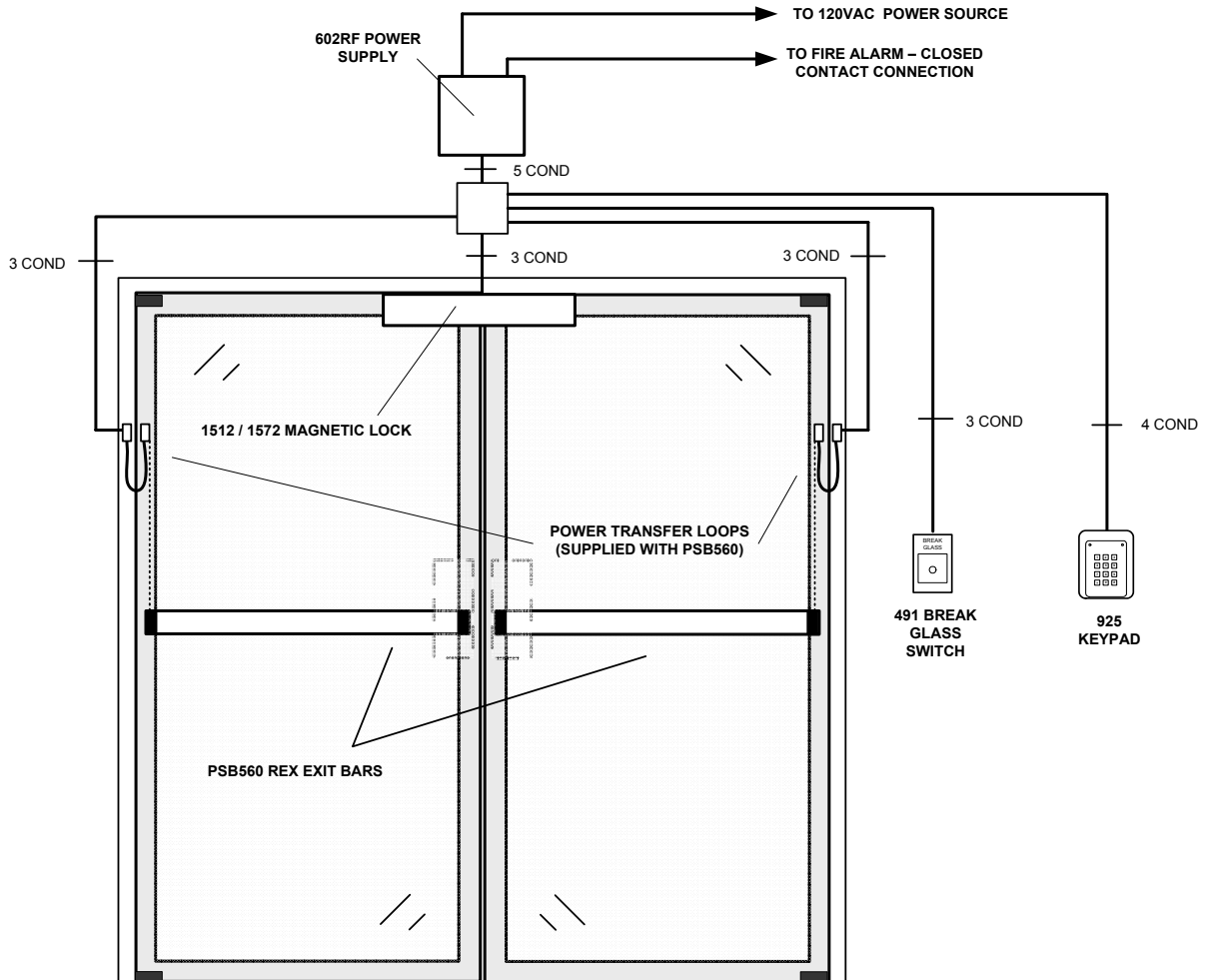


RISER DIAGRAM



NOTES: (1) ALL LOW VOLTAGE SIGNAL WIRING SHALL BE 20-GAUGE MINIMUM. THE MINIMUM INDUCTIVE LOAD (LOCK) POWER WIRE GAUGE SHALL BE DETERMINED PER THE SDC WIRE GAUGE CHART. ALL WIRING (SINGLE OR MULTI-CONDUCTOR) SHALL BE COLOR CODED WITHOUT SPLICES. A MINIMUM OF TWO SPARE CONDUCTORS IS RECOMMENDED. (2) SPECIFY VOLTAGE WHEN ORDERING PRODUCTS. VOLTAGE IS NOT SPECIFIED ON THIS WIRE DIAGRAM, BE SURE ALL PRODUCTS ARE VOLTAGE COMPATIBLE. (3) ALL WIRING MUST CONFORM TO NATIONAL, STATE AND LOCAL CODES. (4) ALWAYS CONSULT WITH THE AUTHORITY HAVING JURISDICTION (AHJ) BEFORE INSTALLATION. (5) WHERE REQUIRED BY CODE, CONNECT FAILSAFE SYSTEMS TO THE LOCAL FIRE LIFE SAFETY SYSTEM FOR EMERGENCY RELEASE.


Components

Qty	Description	Part Number	Manufacturer
1	Double Magnetic Lock	1512 EMLock	SDC
1	Power Supply	602RF	SDC
1	Break Glass Switch	491	SDC
1	Exterior Digital Keypad	925	SDC
2	Request to Exit (REX) Push Bar	PSB560	SDC

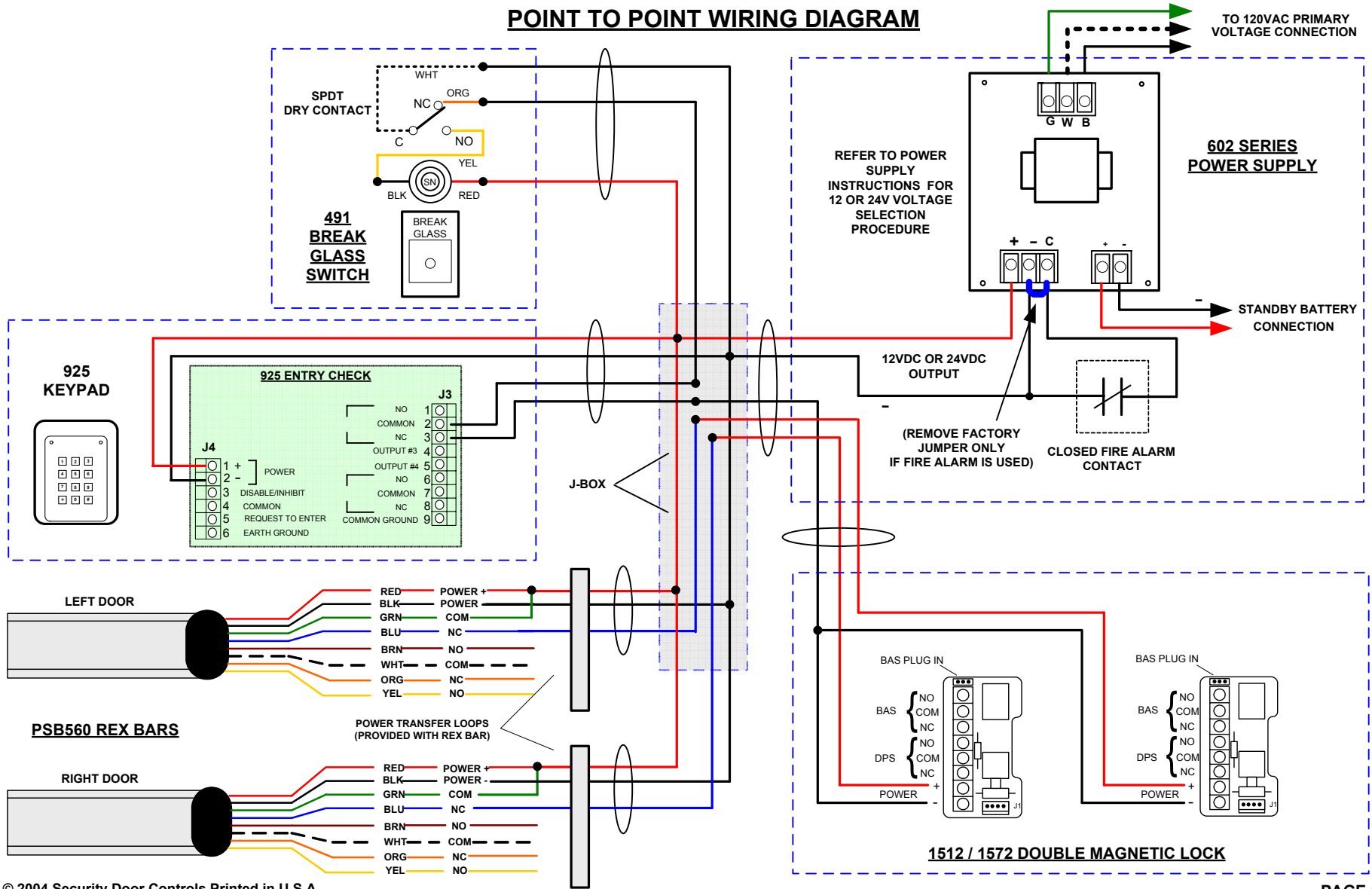
Method of Operation

Access/Egress: Entering a valid digital code releases the locking device momentarily for access. Pressing either exit bar releases the locking device momentarily for egress. Entry and exit momentary unlock time is determined by digital keypad & PSB560 programming. **Emergency Release:** All locks will release automatically (see note 5) upon activation of the fire life safety system OR if the 491 Break Glass Switch is activated.

© 2004 Security Door Controls Printed in U.S.A

PROJECT NAME:	LOCATION:	DISTRIBUTOR:	
DWG. NO.: 1-RS-Library-0013-R2	SO. NO.:	SECURITY DOOR CONTROLS 3580 Willow Lane Westlake Village CA 91361-4921 Tel. 805-494-0622 FAX: 805-494-8861	
CONTACT:	DATE: 10-2004	DWN BY: MD	

POINT TO POINT WIRING DIAGRAM



PROJECT NAME:	LOCATION.:	DIST.:	SECURITY DOOR CONTROLS 3580 Willow Lane Westlake Village CA 91361-4921 Tel. 805-494-0622 FAX: 805-494-8861		
CONTACT:	DWG. NO.: 1-PP-Library-0013-R2	DATE: 03 / 2005	DRAWN BY: MD		