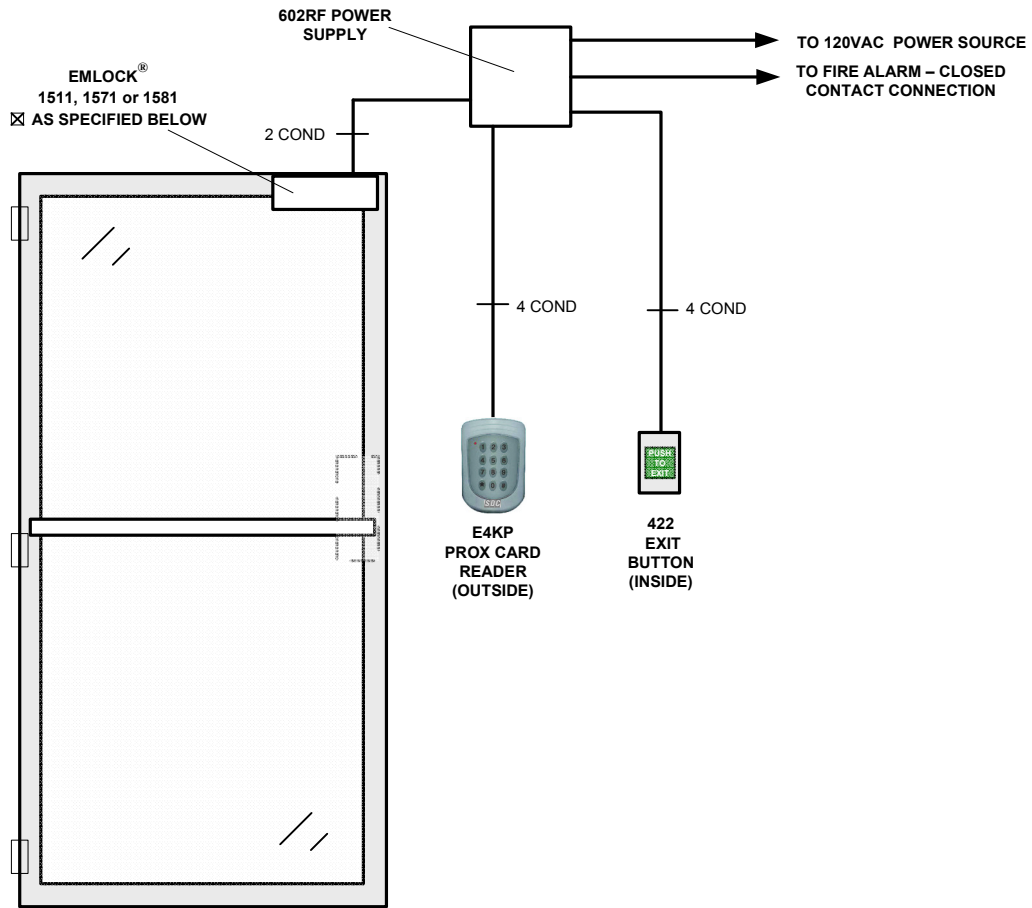


RISER DIAGRAM



NOTES: (1) ALL LOW VOLTAGE SIGNAL WIRING SHALL BE 20-GAUGE MINIMUM. THE MINIMUM INDUCTIVE LOAD (LOCK) POWER WIRE GAUGE SHALL BE DETERMINED PER THE SDC WIRE GAUGE CHART. ALL WIRING (SINGLE OR MULTI-CONDUCTOR) SHALL BE COLOR CODED WITHOUT SPLICES. A MINIMUM OF TWO SPARE CONDUCTORS IS RECOMMENDED. (2) SPECIFY VOLTAGE WHEN ORDERING PRODUCTS. VOLTAGE IS NOT SPECIFIED ON THIS WIRE DIAGRAM. BE SURE ALL PRODUCTS ARE VOLTAGE COMPATIBLE. (3) ALL WIRING MUST CONFORM TO NATIONAL, STATE AND LOCAL CODES. (4) ALWAYS CONSULT WITH THE AUTHORITY HAVING JURISDICTION (AHJ) BEFORE INSTALLATION. (5) WHERE REQUIRED BY CODE, CONNECT FAILSAFE SYSTEMS TO THE LOCAL FIRE LIFE SAFETY SYSTEM FOR EMERGENCY RELEASE.

Components

Qty	Description
1	Magnetic Lock
1	1 Amp Power Supply
1	Exit Push Button
1	Proximity/PIN Card Reader HID ProxCARD II

Select Lock and Switch Switch of choice

Part Number	Manufacturer
1511 1571 1581	SDC
602RF	SDC
422U 412NU	SDC
E4KP	SDC
HID-1326	HID

Method of Operation

Access/Egress: Presenting an authorized card to the reader releases the locking device momentarily for access. Pressing the exit switch button releases the locking device momentarily for egress. Entry and exit momentary unlock time is determined by the card reader programming.

Emergency Release: All locks will release automatically (see note 5) upon activation of the fire life safety system.

PROJECT NAME:	LOCATION:	DISTRIBUTOR:
DWG. NO.: 0033	SO. NO.:	SECURITY DOOR CONTROLS 3580 Willow Lane Westlake Village CA 91361-4921 Tel. 805-494-0622 FAX: 805-494-8861
CONTACT:	DATE: 08-2007 DWN BY: ML	



EMLock®

Exit Check®

SELECTRIC®

Spacesaver®

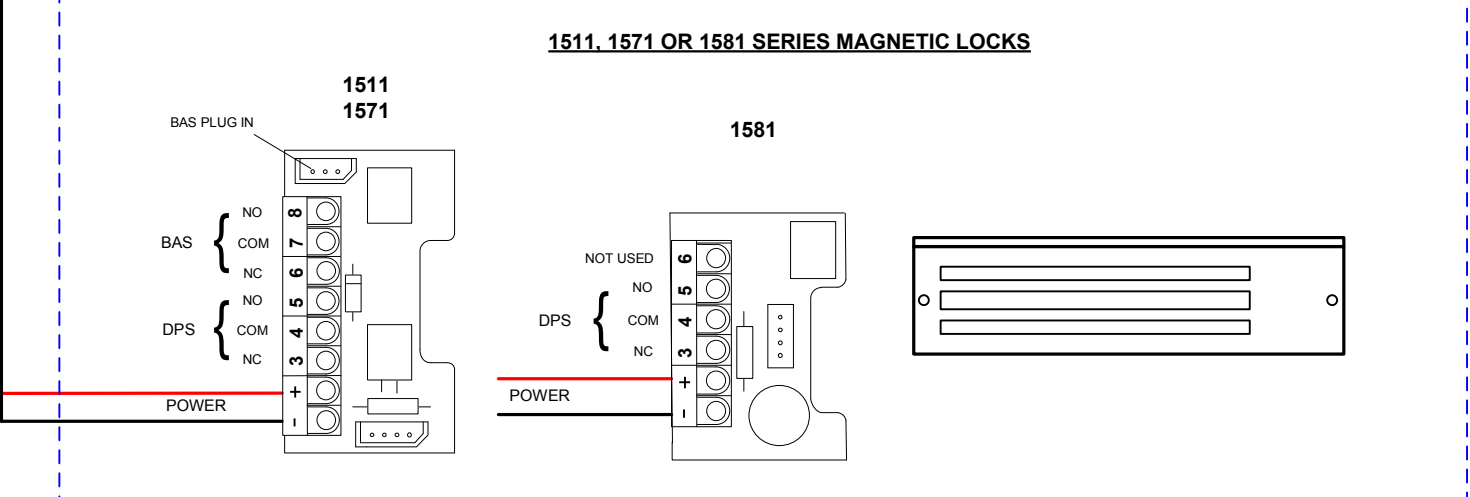
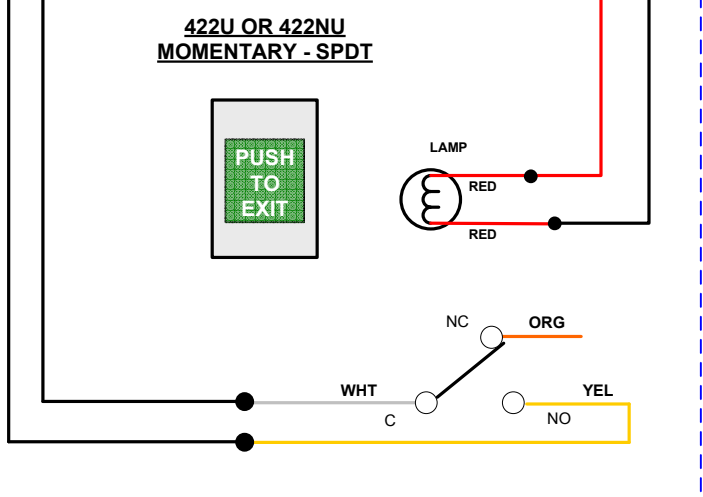
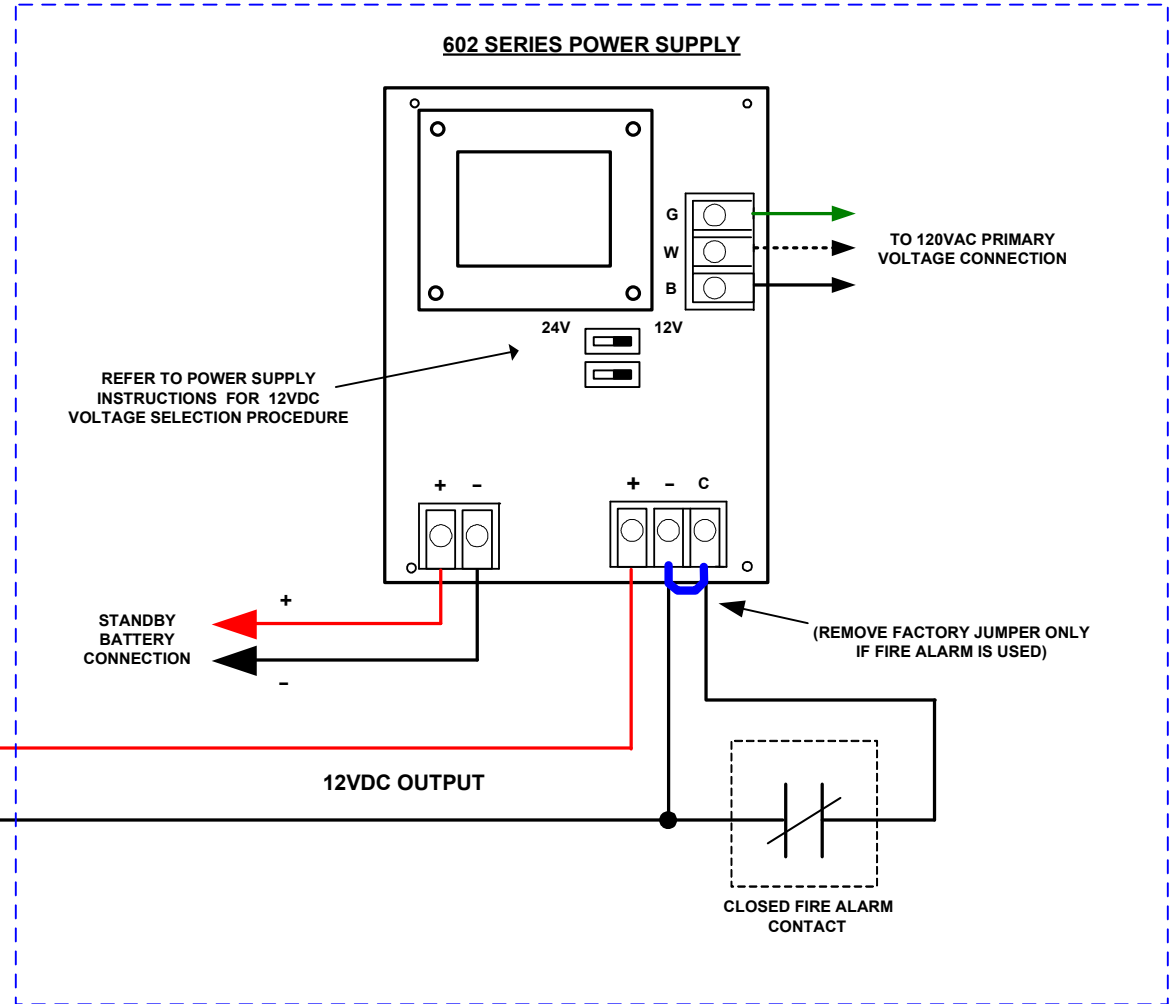
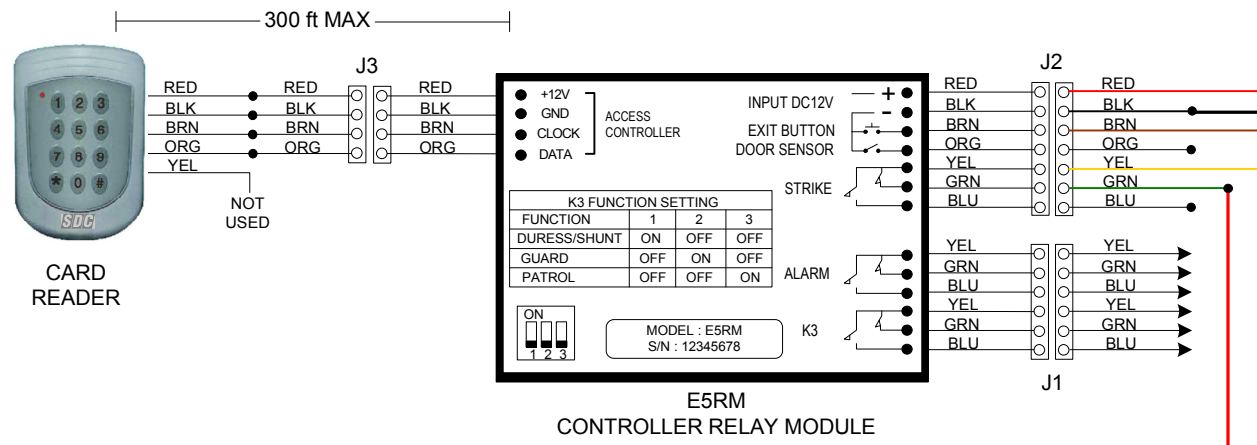
HiTower®

Sure Exit®

EntryCheck™

POINT TO POINT WIRING DIAGRAM

E4KP - CARD READER W/ CONTROLLER RELAY MODULE



© 2009 Security Door Controls Printed in U.S.A



SECURITY DOOR CONTROLS
3580 Willow Lane
Westlake Village CA 91361-4921
Tel. 805-494-0622 FAX: 805-494-8861

NOTE: ALL WIRING MUST BE REVIEWED AND APPROVED BY THE PROJECT ENGINEER ASSIGNED TO THE LOCATION FOR IT'S CORRECTNESS AND SUITABILITY FOR THE APPLICATION IN THE WHICH THE EQUIPMENT INSTALLED AND OPERATED. ALL WIRING MUST CONFORM TO NATIONAL, STATE, AND LOCAL CODES FOR CLASS 2 FIRE PROTECTION AND CONTROL DEVICES.

PROJECT NAME:

TITLE:

LOCATION: -

DIST: -

CONTACT: -

DATE: 08-2007

DRAWN BY: ML

SO NO.: -

DWG. NO.: DWG0033

REV: -

PAGE 2 OF 2