

# ADA Compliant Solutions

## - Wireless Bollard Application-

### 1 AUTO1 Low Energy Swing Door Operator



- Easy, One-Man Installation
- Single Button, Self-Tuning Setup
- Built-in 1 Amp Power Supply
- On-board Lock Sequencing
- Hold Open Feature

### 2 BPS6 / BPG6 Square Bollard Posts\*

- 6" Square Post with 1/8" Walls
- 42" Surface Mount & 54" In-Ground Mounts
- Black HDPE Removeable Cap
- Push Plates & Touch Panel Preps



\*Push Plates & Touch Panels sold separately

### 3 482R-KIT Wireless Push Plate Kit

- Round 4-1/2" Push Plates
- Surface Mount Boxes
- Wireless Transmitter
- Wireless Receiver



- **ADA Compliance Solutions:**
- Practical Solutions for Code Compliance
- Meet Visibility and Accessibility Guidelines
- Maintain High Traffic Reliability

Even with National ANSI and ADA Standards, Building Code Enforcement relating to Automatic Doors and Switch Placement varies across the country. Consult your local Authority Having Jurisdiction (AHJ) for compliance requirements.



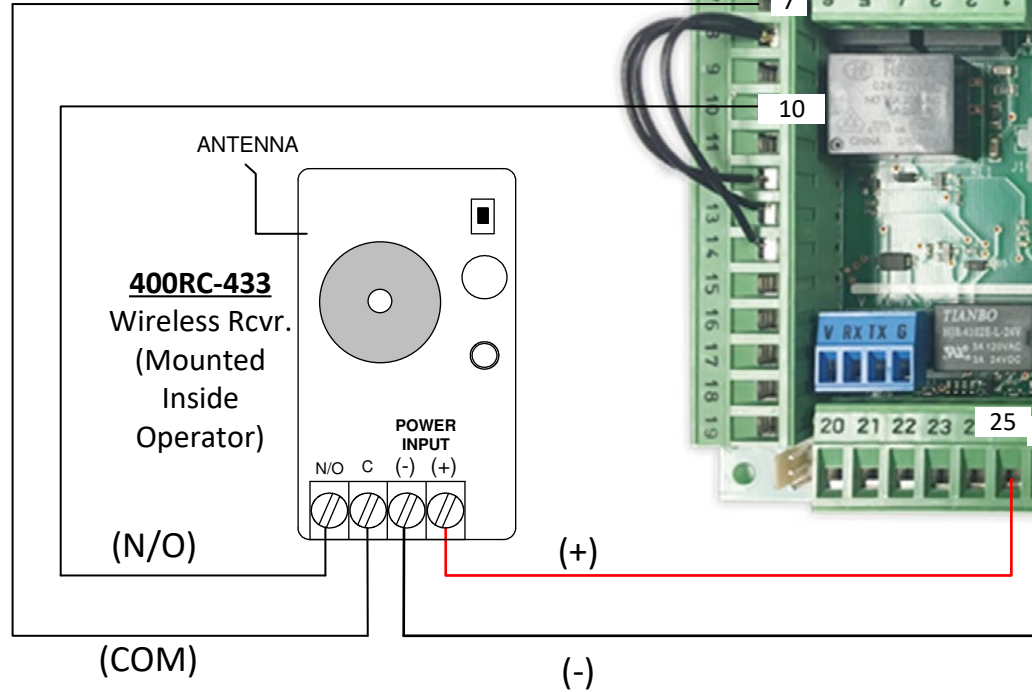
Outside Push Plate(s)  
(Bollard-mounted)  
w/ Wireless  
Transmitter



Inside Push Plate  
(Wall-mounted)  
w/ Wireless  
Transmitter

RF TX 1

RF TX 2



AUTO EntryControl™  
I/O Board

**GENERAL NOTES:**

(1) ALL WIRING MUST BE REVIEWED AND APPROVED BY THE PROJECT ENGINEER ASSIGNED TO THE LOCATION FOR ITS CORRECTNESS AND SUITABILITY FOR THE APPLICATION IN WHICH THE EQUIPMENT IS INSTALLED AND OPERATED.

(2) ALL WIRING MUST CONFORM TO NATIONAL, STATE, AND LOCAL CODES FOR CLASS 2 FIRE PROTECTION AND CONTROL DEVICES.

(3) ALWAYS CONSULT WITH THE AUTHORITY HAVING JURISDICTION (AHJ) BEFORE INSTALLATION.

(4) WHERE REQUIRED BY CODE, CONNECT FAILSAFE SYSTEMS TO THE LOCAL FIRE LIFE SAFETY SYSTEM FOR EMERGENCY RELEASE.

(5) ALL LOW VOLTAGE SIGNAL WIRING SHALL BE 22-GAUGE MINIMUM. THE MINIMUM INDUCTIVE LOAD (LOCK) POWER WIRE GAUGE SHALL BE DETERMINED PER THE SDC WIRE GAUGE CHART. ALL WIRING (SINGLE OR MULTI-CONDUCTOR) SHALL BE COLOR CODED WITHOUT SPLICES. A MINIMUM OF TWO SPARE CONDUCTORS IS RECOMMENDED.

(6) VOLTAGE MAY NOT BE SPECIFIED ON THIS WIRE DIAGRAM. BE SURE ALL PRODUCTS ARE VOLTAGE COMPATIBLE.



AC Mains



© 2020 Security Door Controls Printed in U.S.A



**Security Door Controls**  
801 Avenida Acaso  
Camarillo, CA 93012  
t 805.494.0622 ~ f 805.494.8861  
www.sdcsecurity.com

NOTE: ALL WIRING MUST BE REVIEWED AND APPROVED BY THE PROJECT ENGINEER ASSIGNED TO THE LOCATION FOR ITS CORRECTNESS AND SUITABILITY FOR THE APPLICATION IN WHICH THE EQUIPMENT IS INSTALLED AND OPERATED. ALL WIRING MUST CONFORM TO NATIONAL, STATE, AND LOCAL CODES FOR CLASS 2 FIRE PROTECTION AND CONTROL DEVICES.

PROJECT NAME:

-

LOCATION.:

-

DIST.:

-

TITLE: ADA Compliant Wireless Solution

CONTACT:

-

DATE:

--

DRAWN BY:

-

SO NO.:

-

DWG. NO.:

XXXX

REV

-

Page 9 of 9