

Excel™ E300 Micro Cabinet Lock

SDC DESIGNED AND MANUFACTURED

Eliminate keys and expand the reach of access control systems to drawers, cabinets and lockers – any critical use - where the application of a compact, specialized electromagnetic lock provides a higher level of security. SDC's E300 is a connected access control solution that is virtually maintenance free and has a lock status output for remote monitoring and system application needs.



MODEL

E300 Magnetic Lock
300lbs. holding force



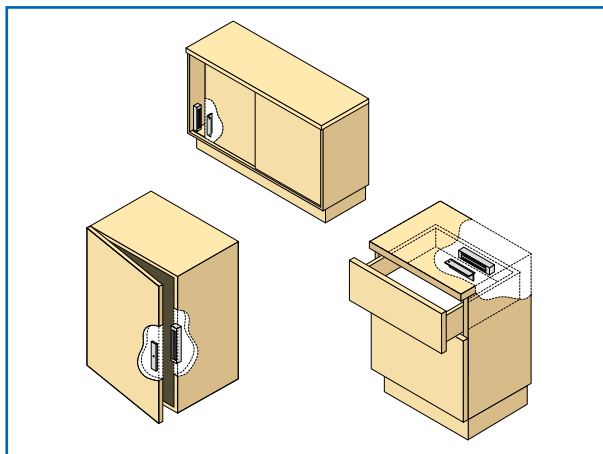
FEATURES

- Failsafe Operation
- Easy installation in small cabinets or restricted spaces. No special tools are required.
- No moving parts, virtually maintenance free.
- Spike and surge protection for solid-state devices on same line.
- Lock Status
- Interlocking Quick Mount Assembly
- Mounting Bracket with Sheet Metal Screws
- Wire Access Chamber with Terminal Block
- Dual Voltage 12/24VDC
- 628 Clear Anodized Aluminum housing



APPLICATIONS

Cabinets	Display cases
Drawers	Gun safes
Machine equipment housings	Package pass through doors



SPECIFICATIONS

MECHANICAL

Holding Force	300 Lbs/136 Kg
Lock	7" L x 1.625" H x 0.875" D;
Armature	5.125" L x 1.25" H x 0.3125" D;

ELECTRICAL

Circuitry & Wiring	PC board with voltage and current spike protection, instant release anti-residual magnetism circuit, terminal block for power input
Voltage	Dual 12/24VDC +/-10%, field selectable jumper pin connections
Current	360 mA @ 12VDC; 180 mA @ 24VDC
Lock Status Contact	SPDT, 250 mA @ 30VDC

