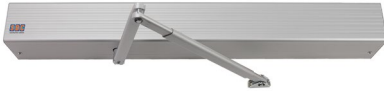


HANDS FREE DOOR SOLUTIONS™

ADA Compliant Electrified Exit Device Application

1 AUTO Series

Low Energy Swing Door Operators



- Easy one-man installation
- Single button, self-tuning setup
- Built-in 1 Amp power supply
- On-board lock sequencing
- Hold open feature

2 470 Series

No Touch Switches



- WAVE-TO-OPEN
- IR sensing technology
- Wave activation up to 5"

- Illuminated dual LED sensor (red/green)

3 480 Series

ADA Actuators



- PUSH-TO-OPEN plates
- HDPE antimicrobial options
- Single or double gang

- Round and narrow options
- Recessed, surface, and bollard mounting

4 920P Series

Access Control Keypads



- Built-in prox readers
- Indoor/outdoor use
- Surface or single-gang mount
- Heavy cast vandal resistant housing

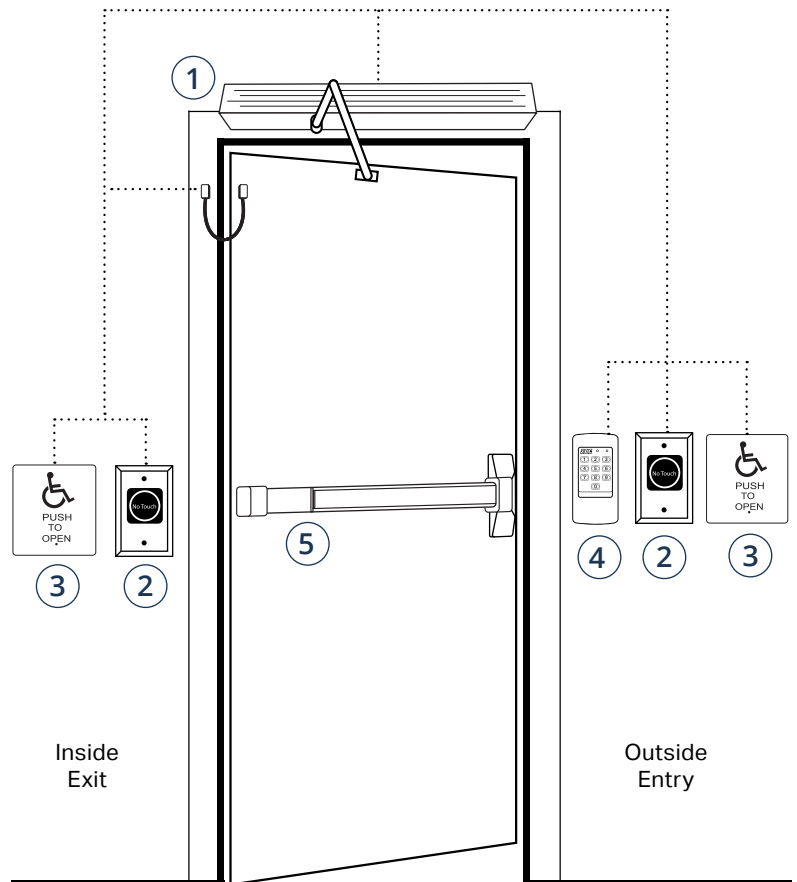
5 S4000 Series

Electrified Industrial Exit Devices



- Factory installed electric latch retraction and REX
- Stainless steel construction - corrosion resistant
- Grade 1 exit device for durability
- Heavy cast vandal resistant housing

Requires power transfer device such as our PT-3



HANDS FREE DOOR SOLUTIONS™

- Hands Free convenience
- Hands Free code compliance
- Hands Free hygiene and contamination control

Even with national ANSI and ADA standards, building code enforcement relating to automatic door and switch placement varies across the country. Consult your local authority having jurisdiction (AHJ) for compliance requirements.